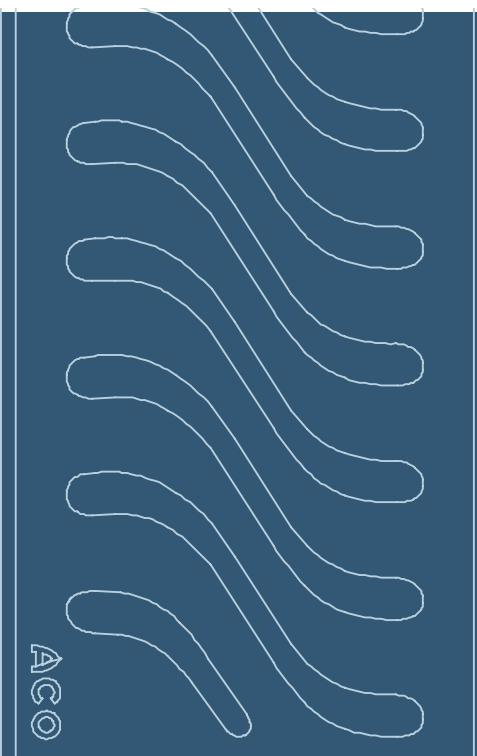




## Building Drainage



# 2020

Product Price List

ACO ShowerDrain

Effective January 1, 2020

# ACO A-Plus ShowerChannel

## Square



Finish	Price \$	Part #	Length in (mm)	Weight lbs
Brushed Stainless	122.00	143150	27 (700)	3.15
	138.00	143151	36 (900)	3.5
	154.00	143152	48 (1200)	4.5
Matte Black	136.00	143170	27 (700)	3.15
	158.00	143171	36 (900)	3.5
	184.00	143172	48 (1200)	4.5
Satin Bronze	190.00	143240	27 (700)	3.15
	222.00	143241	36 (900)	3.5
	202.00	143242	48 (1200)	4.5

ACO A-Plus ShowerChannel available in complete units only. Complete unit includes:

- Shower channel
- Grate option
- Strainer
- Drain flange
- (2) leveling feet
- Threaded Adapter
- Grate lifting key
- Installation instructions

The 2.0" threaded adapter is compatible with most 2.0" drain flanges, making the product universal and easy to install.

## Wavy



Finish	Price \$	Part #	Length in (mm)	Weight lbs
Brushed Stainless	122.00	143155	27 (700)	3.15
	138.00	143156	36 (900)	3.5
	154.00	143157	48 (1200)	4.5
Matte Black	136.00	143175	27 (700)	3.15
	158.00	143176	36 (900)	3.5
	184.00	143177	48 (1200)	4.5
Satin Bronze	190.00	143245	27 (700)	3.15
	222.00	143246	36 (900)	3.5
	262.00	143247	48 (1200)	4.5

## Tile



Finish	Price \$	Part #	Length in (mm)	Weight lbs
Stainless	122.00	143145	27 (700)	3.75
	138.00	143146	36 (900)	4.0
	154.00	143147	48 (1200)	5.0

# ACO A-Plus ShowerPoint

## 4" Square



Finish	Price \$	Part #	Length in (mm)	Weight lbs
Polished Chrome	99.00	143126	3.54 (90)	1.45
Matte Black	99.00	143127	3.54 (90)	1.45
Satin Bronze	99.00	143128	3.54 (90)	1.45
Brushed Nickel	99.00	143125	3.54 (90)	1.45

## 4" Tile-In



Finish	Price \$	Part #	Length in (mm)	Weight lbs
Tile	99.00	143129	3.15 (80)	1.2

### 4" BODY

4" Body complete unit includes:

- Grouting plate (4" only)
- Strainer
- Point drain body
- Drain flange adapter
- Grate option
- Grate lifting key
- Installation instructions



## 6" Square



Finish	Price \$	Part #	Length in (mm)	Weight lbs
Polished Stainless	155.00	37078	6.0 (150)	3.0

## 6" Wavy

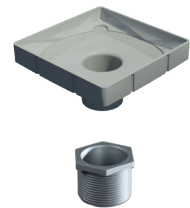


Finish	Price \$	Part #	Length in (mm)	Weight lbs
Polished Stainless	155.00	37080	6.0 (150)	3.0

### 6" BODY

6" Body complete unit includes:

- Stainless Steel Grate
- ABS Body
- Stainless Steel Lifting Key
- Threaded Adaptor



## 6" Tile



Finish	Price \$	Part #	Length in (mm)	Weight lbs
Polished Stainless	56.00	37100	6.0 (150)	2.0

ACO A-Plus ShowerPoint is available in complete units only.

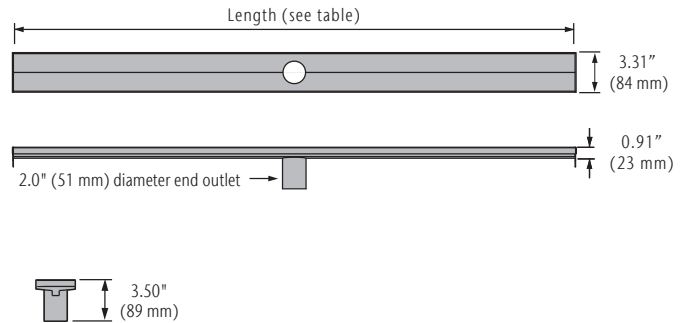
# ACO Premium ShowerChannel Bodies

## Plain Edge Channel

■ Includes leveling feet

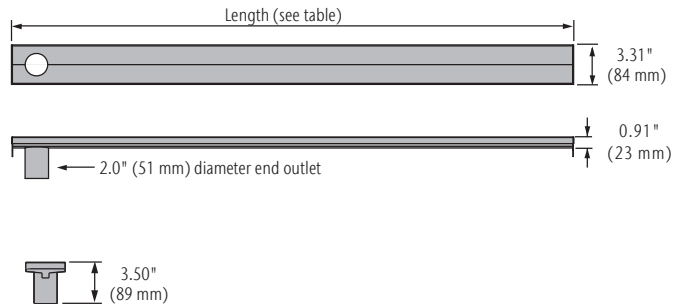
### CENTER OUTLET

Finish	Price \$	Part #	Length in (mm)	Weight lbs
Polished Stainless	450.00	93861	27.55 (700)	2.5
	458.00	93864	31.50 (800)	2.6
	469.00	93865	35.43 (900)	3.0
	483.00	93869	39.37 (1000)	3.2
	508.00	93872	47.24 (1200)	3.7
	532.00	93816	55.12 (1400)	4.2
Oil-Rubbed Bronze	618.00	93180	27.55 (700)	2.5
	640.00	93184	35.43 (900)	3.0
	697.00	93182	47.24 (1200)	3.7



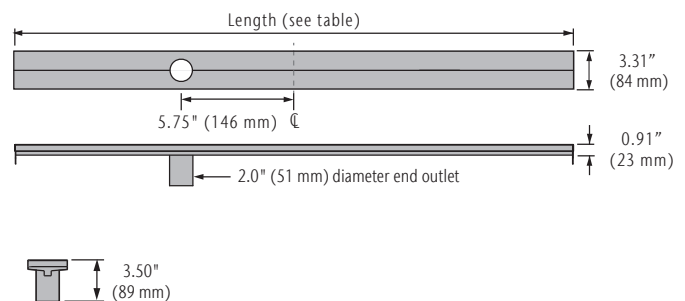
### END OUTLET\*

Finish	Price \$	Part #	Length in (mm)	Weight lbs
Polished Stainless	450.00	91877	27.55 (700)	2.5
	458.00	91878	31.50 (800)	2.6
	469.00	91879	35.43 (900)	3.0
	483.00	91880	39.37 (1000)	3.2
	508.00	91881	47.24 (1200)	3.7
	532.00	91882	55.12 (1400)	4.2



### OFFSET OUTLET\*

Finish	Price \$	Part #	Length in (mm)	Weight lbs
Polished Stainless	450.00	92226	27.55 (700)	2.5
	458.00	92225	31.50 (800)	2.6
	469.00	92224	35.43 (900)	3.0
	483.00	92223	39.37 (1000)	3.2

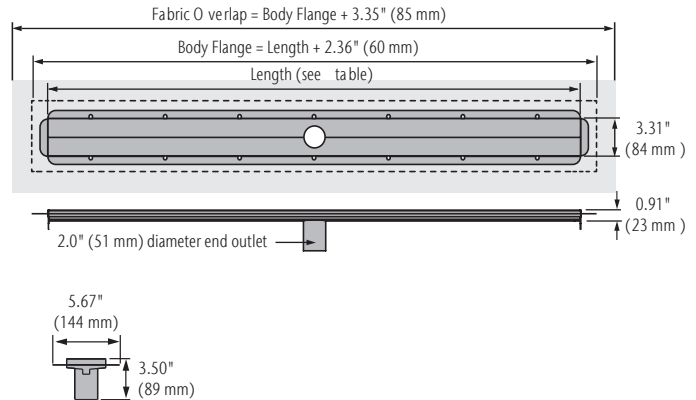


\* Limited Availability. Please contact ACO for stock inquiries.

## Weeping Flange Channel

### CENTER OUTLET

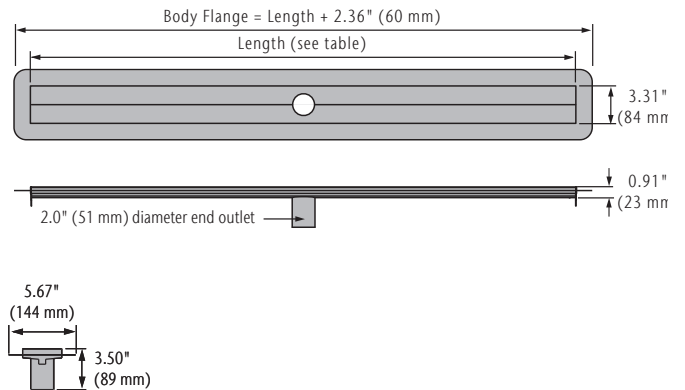
Finish	Price \$	Part #	Length in (mm)	Weight lbs
Polished Stainless	599.00	92179	27.55 (700)	3.4
	615.00	92180	31.50 (800)	3.6
	630.00	92181	35.43 (900)	4.1
	651.00	92182	39.37 (1000)	4.5
	672.00	92183	47.24 (1200)	5.2
	688.00	92184	55.12 (1400)	5.9



## Flange Edge Channel

### CENTER OUTLET\*

Finish	Price \$	Part #	Length in (mm)	Weight lbs
Polished Stainless	479.00	93866	27.55 (700)	3.4
	492.00	93873	31.50 (800)	3.6
	507.00	93862	35.43 (900)	4.1
	521.00	93870	39.37 (1000)	4.5
	537.00	93875	47.24 (1200)	5.2
	555.00	93817	55.12 (1400)	5.9

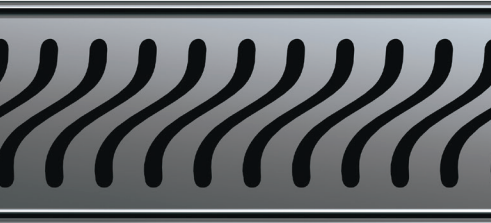


\* Limited Availability. Please contact ACO for stock inquiries.

# ACO Premium ShowerChannel Grates

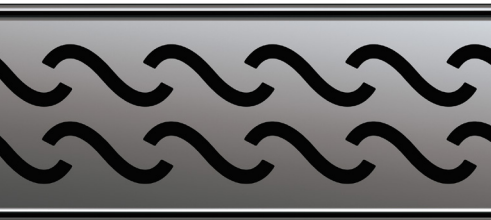
-Lifting Key Included with Grate

## Flag



Finish	Price \$	Part #	Length in (mm)	Weight lbs
Polished Stainless	179.00	37369	27.55 (700)	1.6
	188.00	37370	31.50 (800)	1.8
	199.00	37371	35.43 (900)	2.1
	209.00	37372	39.37 (1000)	2.2
	229.00	37373	47.24 (1200)	2.8
	248.00	37417	55.12 (1400)	3.4

## Hawaii



Finish	Price \$	Part #	Length in (mm)	Weight lbs
Polished Stainless*	170.00	37398	27.55 (700)	1.6
	179.00	37399	31.50 (800)	1.8
	189.00	37400	35.43 (900)	2.1
	199.00	37401	39.37 (1000)	2.2
	218.00	37402	47.24 (1200)	2.8
	236.00	37414	55.12 (1400)	3.4

## Mix



Finish	Price \$	Part #	Length in (mm)	Weight lbs
Polished Stainless	179.00	37403	27.55 (700)	1.7
	188.00	37404	31.50 (800)	1.9
	199.00	37405	35.43 (900)	2.1
	209.00	37406	39.37 (1000)	2.4
	229.00	37407	47.24 (1200)	2.9
	248.00	37415	55.12 (1400)	3.4

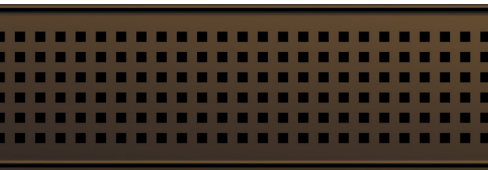
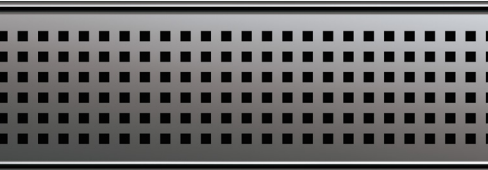
## Piano



Finish	Price \$	Part #	Length in (mm)	Weight lbs
Polished Stainless	179.00	37450	27.55 (700)	1.7
	188.00	37451	31.50 (800)	1.9
	199.00	37452	35.43 (900)	2.1
	209.00	37453	39.37 (1000)	2.4
	229.00	37454	47.24 (1200)	2.9
	248.00	37455	55.12 (1400)	3.4

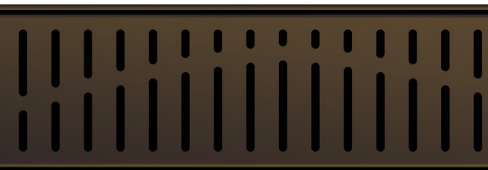
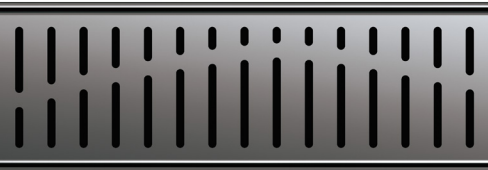
# ACO Premium ShowerChannel Grates

## Quadrato



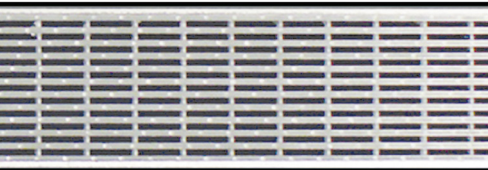
Finish	Price \$	Part #	Length in (mm)	Weight lbs
Polished Stainless	179.00	37359	27.55 (700)	1.7
	188.00	37360	31.50 (800)	1.9
	199.00	37361	35.43 (900)	2.1
	209.00	37362	39.37 (1000)	2.4
	229.00	37363	47.24 (1200)	2.9
	248.00	37418	55.12 (1400)	3.4
Oil-Rubbed Bronze	243.00	37317	27.55 (700)	1.7
	272.00	37303	35.43 (900)	2.1
	314.00	37307	47.24 (1200)	2.9

## Wave



Finish	Price \$	Part #	Length in (mm)	Weight lbs
Polished Stainless	179.00	37342	27.55 (700)	1.7
	188.00	37343	31.50 (800)	1.9
	199.00	37344	35.43 (900)	2.1
	209.00	37345	39.37 (1000)	2.4
	229.00	37346	47.24 (1200)	2.9
	248.00	37413	55.12 (1400)	3.4
Oil-Rubbed Bronze	243.00	37312	27.55 (700)	1.7
	272.00	37308	35.43 (900)	2.1
	314.00	37302	47.24 (1200)	2.9

## Linear



Finish	Price \$	Part #	Length in (mm)	Weight lbs
Polished Stainless	343.00	37420	27.55 (700)	3.1
	366.00	37421	31.50 (800)	3.5
	383.00	37422	35.43 (900)	3.9
	407.00	37423	39.37 (1000)	4.3
	453.00	37424	47.24 (1200)	5.2
	499.00	37425	55.12 (1400)	6.1

# ACO Premium ShowerChannel Grates

## Glass



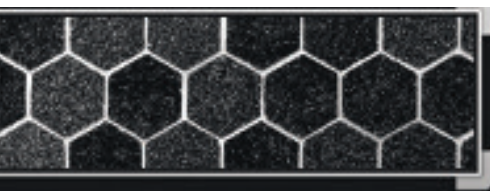
Finish	List Price \$	Part #	Length in (mm)	Weight lbs
Black	297.00	9010.56.67	27.55 (700)	2.1
	304.00	9010.56.68	31.50 (800)	2.4
	312.00	9010.56.69	35.43 (900)	2.7
	320.00	9010.56.70	39.37 (1000)	3.0
	328.00	9010.56.71	47.24 (1200)	3.6
White	297.00	9010.56.72	27.55 (700)	2.1
	304.00	9010.56.73	31.50 (800)	2.4
	312.00	9010.56.74	35.43 (900)	2.7
	320.00	9010.56.75	39.37 (1000)	3.0
	328.00	9010.56.76	47.24 (1200)	3.6
Gray	297.00	9010.56.77	27.55 (700)	2.1
	304.00	9010.56.78	31.50 (800)	2.4
	312.00	9010.56.79	35.43 (900)	2.7
	320.00	9010.56.80	39.37 (1000)	3.0
	328.00	9010.56.81	47.24 (1200)	3.6

## Solid



Finish	List Price \$	Part #	Length in (mm)	Weight lbs
Polished Stainless	179.00	37476	27.55 (700)	1.7
	188.00	37477	31.50 (800)	1.9
	199.00	37478	35.43 (900)	2.1
	209.00	37479	39.37 (1000)	2.4
	229.00	37480	47.24 (1200)	2.9
	248.00	37481	55.12 (1400)	3.4

## Tile



Finish	List Price \$	Part #	Length in (mm)	Weight lbs
Polished Stainless	297.00	37335	27.55 (700)	1.7
	304.00	37338	31.50 (800)	2.0
	312.00	37336	35.43 (900)	2.2
	320.00	37334	39.37 (1000)	2.5
	328.00	37332	47.24 (1200)	2.9
	336.00	37419	55.12 (1400)	3.3
Oil-Rubbed Bronze	408.00	37327	27.55 (700)	1.7
	427.00	37331	35.43 (900)	2.2
	450.00	37310	47.25 (1200)	2.9



# ACO Premium ShowerPoint

## Hawaii



Body	Description	Price \$	Part #	Length in (mm)	Weight lbs
Deep	Locking	270.00	37230	5.83 (148)	1.6
	Non-Locking	221.00	37223	5.83 (148)	1.6
Shallow	Non-Locking	150.00	37456	5.83 (148)	1.6

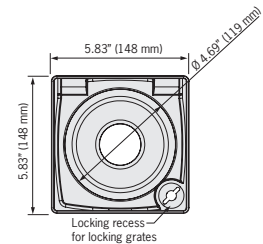
**Includes:**

- ShowerDrain body-chrome plated ABS body with stainless steel trim
- Stainless Grate
- 2" Threaded Couplers

## Mix



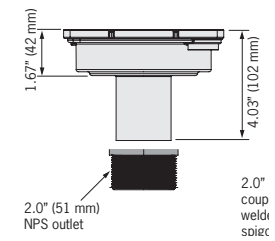
Body	Description	Price \$	Part #	Length in (mm)	Weight lbs
Deep	Locking	270.00	37231	5.83 (148)	1.6
	Non-Locking	221.00	37222	5.83 (148)	1.6
Shallow	Non-Locking	150.00	37457	5.83 (148)	1.6



## Quadrato



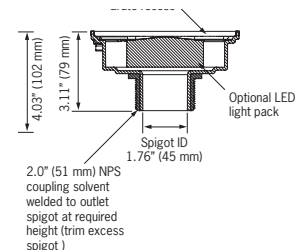
Body	Description	Price \$	Part #	Length in (mm)	Weight lbs
Deep	Locking	270.00	37233	5.83 (148)	1.6
	Non-Locking	221.00	37225	5.83 (148)	1.6
Shallow	Non-Locking	150.00	37458	5.83 (148)	1.6



## Wave



Body	Description	Price \$	Part #	Length in (mm)	Weight lbs
Deep	Locking	270.00	37234	5.83 (148)	1.6
	Non-Locking	221.00	37221	5.83 (148)	1.6
Shallow	Non-Locking	150.00	37459	5.83 (148)	1.6



## Pixel\*



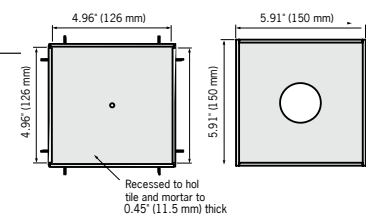
Body	Description	Price \$	Part #	Length in (mm)	Weight lbs
Deep	Locking	221.00	37232	5.83 (148)	1.6

## Tile-In



Body	Description	List Price \$	Part #	Length in (mm)	Weight lbs
Tile-In	Non-Locking	168.00	37229	5.91 (150)	2.0

Tile tray and stainless steel drain body are packaged as a set.



\* Limited Availability. Please contact ACO for stock inquiries.

# Custom Fabrication

## Customization Options

- Custom length channels from 59"–10'
- Custom outlet locations on standard or custom length channels (minimum 3" from either end)
- Custom outlet type (vertical or horizontal)
- Multiple outlets can be located within the channel
- Stainless Steel- Polished Finish

## Terms & Conditions

- Grates are not customizable and standard grates will be used
- 2" diameter outlets only at any location within the channel
- Polished finish - Stainless Steel only
- Minimum 5 week lead time from date of PO
- Call for pricing of orders over 5 custom units or longer than 10'
- Custom orders are non-refundable, non-returnable; all sales are final

## Custom Laser-Etched Grates

Upon request, personalized images, logos, or custom lettering can be laser etched onto the surface of the Solid Insert Grate (see grates pricing section for grate part numbers). Prices below subject to change.

Initial pricing	List Price \$
Laser etching set-up fee*	249.00
Unit pricing for 1–10 units**	199.00
Unit pricing for 11+ units**	149.00

\* Custom setup fee and etching fees apply based on degree of difficulty and detail of image or lettering chosen. Hi-res vector files needed (SVG or EPS). Contact ACO for pricing and lead times.

\*\* Grates sold separately

## Custom Channels

### VERTICAL OUTLETS\*

Standard/Custom	Length in (mm)	Plain Edge Price \$	Flange Edge List Price \$	Grates Qty/Channel (mm)
Standard Length	27.55 (700)	975.00	1,000.00	1/700
	31.50 (800)	980.00	1,006.00	1/800
	35.43 (900)	985.00	1,013.00	1/900
	39.37 (1000)	990.00	1,019.00	1/1000
	47.24 (1200)	997.00	1,032.00	1/1200
	55.12 (1400)	1,021.00	1,057.00	1/1400
Custom Length	58.86 (1495)	1,282.00	1,386.00	1/700, 1/800
	62.80 (1595)	1,294.00	1,400.00	2/800
	66.73 (1695)	1,305.00	1,413.00	1/800, 1/900
	70.67 (1795)	1,317.00	1,428.00	2/900
	74.61 (1895)	1,328.00	1,442.00	1/900, 1/1000
	78.54 (1995)	1,340.00	1,455.00	2/1000
	82.48 (2095)	1,379.00	1,469.00	1/900, 1/1200
	86.42 (2195)	2,102.00	2,153.00	1/1000, 1/1200
	90.35 (2295)	2,735.00	2,638.00	1/900, 1/1400
	94.29 (2395)	2,738.00	2,689.00	2/1200
	98.03 (2490)	2,743.00	2,695.00	2/800, 1/900
	102.17 (2595)	2,748.00	2,802.00	1/1200, 1/1400
	105.91 (2690)	2,753.00	2,808.00	3/900
	110.04 (2795)	2,859.00	2,915.00	2/1400
	113.78 (2890)	2,862.00	2,921.00	1/900, 2/1000
117.72 (2990)	2,867.00	2,925.00	3/1000	

### HORIZONTAL OUTLETS\*\*

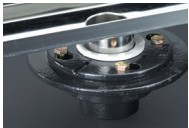


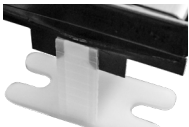
Standard/Custom	Length in (mm)	Plain Edge Price \$	Flange Edge List Price \$	Grates Qty/Channel (mm)
Standard Length	27.55 (700)	975.00	1,000.00	1/700
	31.50 (800)	980.00	1,006.00	1/800
	35.43 (900)	985.00	1,013.00	1/900
	39.37 (1000)	990.00	1,019.00	1/1000
	47.24 (1200)	997.00	1,032.00	1/1200
	55.12 (1400)	1,021.00	1,057.00	1/1400

\* Multiple drain outlets may be available

\*\* Stainless steel only

# ShowerDrain Accessories

All accessories apply for Premium ShowerChannel & ShowerPoint products

		Price \$	Part #	Weight lbs
<b>Debris strainer - Polished steel*</b>		35.00	37381	0.5
<b>Debris strainer - oil rubbed bronze</b>		41.00	37382	0.5
<b>* PVC Drain Flange</b>		48.00	93871	1.1
<b>* Cast Iron Drain Flange</b>		65.00	93808	4.7
<b>Compression Gasket</b>		15.00	93785	0.5
<b>Stainless Steel Clad Coupling</b>		30.00	93874	1.4
<b>Lifting Key</b>		4.00	37339	0.1
<b>Leveling Feet</b>		4.00	93876	0.1

\* Apply for both Premium & A-Plus products

# ACO Terms & Conditions

**PAYMENT** - All pricing is in U.S. Dollars.

**TERMS** - Net 30 days from date of invoice. A service charge of 1.5% per month will be charged on all invoices unpaid 30 days after invoice date (equal to 18% annually).

**SUPPLY** - All purchase orders will have a 24 to 48 hour processing time.

**FREIGHT** - F.O.B. ACO.

- Prepaid on orders in the Continental United States of \$1,000 NET or more. Excludes custom orders and orders shipping to Alaska, Hawaii and Export.

**MISSING MATERIAL** - Missing material must be reported to ACO's Customer Service Department within 48 hours of receipt of shipment.

**DAMAGED MATERIAL** - Damaged material must be noted on Bill of Lading at final destination point. The receiver must file a freight claim with the carrier. ACO is not responsible for material damaged in transit.

**TAXES** - All State and Federal taxes are additional.

**CHANGES** - ACO, Inc. reserves the right to change prices, design, and materials of any products listed at any time.

**RETURNS** - Purchased material must be returned within 90 days of initial receipt. Returned material is subject to a 35% restocking charge. Prior return authorization (RGA) must be obtained from ACO before any material is shipped. Returned material is subject to the following conditions:

1. All returned material should be in resale condition.
2. Material must be returned to ACO within 30 days of receipt of RGA.
3. All freight costs are the responsibility of those returning material.
4. Products damaged in shipment to ACO ShowerDrain will be noted on Bill of Lading and customer will be notified in order to process their claim with their carrier.

Non-standard material cannot be returned for credit.

**WARRANTY** - ACO, Inc. provides a total coverage warranty on manufacturing, craftsmanship and quality of channels and grates from date of sale on ACO ShowerDrain products, parts and accessories provided that:

1. ACO ShowerDrain products have been installed according to the recommended installation instructions as described in the current ACO Installation Guidelines.
2. ACO ShowerDrain products have been used for a bathroom application, and the unit and its components have not been altered or changed from its original factory condition in any way.
3. Total Coverage Warranty of 25 years on Channels and Grates for Signature Series (Stainless Steel)
4. Total Coverage Warranty of 10 years on Channels and Grates for Plus Series (Plastic Body)
5. 2 Year Total Finish Coverage on all applied finishes to Stainless Steel Parts and Accessories

ACO products support the ACO System Chain



## Building Drainage

- ACO Stainless - Stainless Trench Drains
- ACO BoxDrain - Stainless Hygienic Drains
- ACO FloorDrain - Stainless Point Drains
- ACO Pipe - Stainless Push-fit Piping
- ACO ShowerDrain - Bathroom Drainage

## Surface Water Management

- ACO Drain - Commercial Trench Drains
- ACO Infrastructure - Heavy Duty Drainage
- ACO Sport - Athletic Venue Drainage
- ACO StormBrixx - Geocellular Tanks
- ACO Aquaduct - Custom Drainage
- ACO Environment - Solid & Oil Separators
- ACO Wildlife - Guidance & Passage
- ACO Self - Garden & Landscape Drainage
- ACO UtilityDuct - Ducting System

## ACO, Inc.

West Sales Office  
825 W. Beechcraft Street  
Casa Grande, AZ 85122  
Tel: (520) 421-9988  
Toll-Free: (866) 809-4506  
Fax: (520) 421-9899

Northeast Sales Office  
9470 Pinecone Drive  
Mentor, OH 44060  
Tel: (440) 639-7230  
Toll-Free: (866) 809-4506  
Fax: (440) 639-7235

Southeast Sales Office  
4211 Pleasant Road  
Fort Mill, SC 29708  
Toll-Free: (866) 809-4506  
Fax: (803) 802-1063

info@acousa.com  
[www.acousa.com](http://www.acousa.com)

©January 2020 ACO, Inc.

All reasonable care has been taken in compiling the information in this document. All recommendations and suggestions on the use of ACO products are made without guarantee since the conditions of use are beyond the control of the company. It is the customer's responsibility to ensure that each product is fit for its intended purpose and that the actual conditions of use are suitable. ACO, Inc. reserves the right to change products and specifications without notice.

Print #SD800

ACO. creating  
the future of drainage

