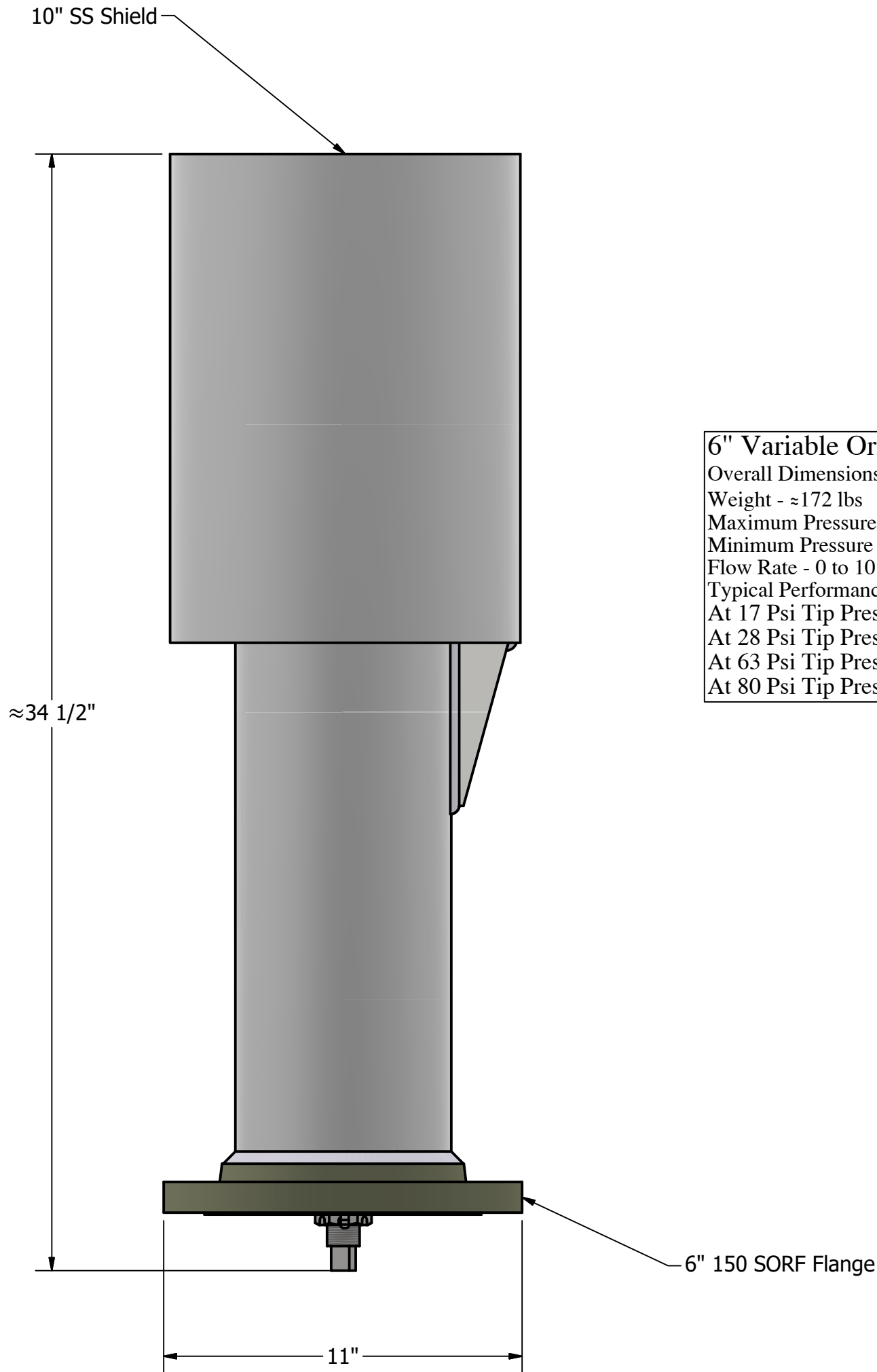



# 6VOPT Data Sheet



**6" Variable Orifice Pressure Tip**  
 Overall Dimensions - 11" x ≈34 1/2"  
 Weight - ≈172 lbs  
 Maximum Pressure - 100 Psi  
 Minimum Pressure - 8 Psi  
 Flow Rate - 0 to 10 mmcf/d  
 Typical Performance -  
 At 17 Psi Tip Pressure/1.0mmcf/d  
 At 28 Psi Tip Pressure/2.5mmcf/d  
 At 63 Psi Tip Pressure/7.5mmcf/d  
 At 80 Psi Tip Pressure/10mmcf/d

Information contained on this document is proprietary and confidential. It is the property of D.B.I. It may not be reproduced, transmitted or otherwise disclosed, by or to any person or organization without the prior written consent of the authorized representative of D.B.I. This document is conditionally loaned and must be returned to D.B.I. upon request. Information contained herein may be used in no manner detrimental to the interests of D.B.I.

 Bastrop, Texas USA 512-303-1941 www.dbiequipment.com		TITLE	
		6VOPT Data Sheet	
DATE	1/14/2022	DWG NO	REV
		6VOPTDS	3
DRAWING BY:	max		SHEET 1 OF 1