

**BELL 429**



**ELEVATING THE STANDARD**

---

Bell NC-1H, the World's first commercially certified helicopter, father of the Bell 47 series, with Floyd Carlson demonstrating its stability

Circa 1943

---



## A LEGACY OF INNOVATION

Thinking above and beyond is what we do. For more than 85 years, we've been reimagining the experience of flight — and where it can take us.

We are pioneers. We were the first to break the sound barrier and to certify a commercial helicopter. We were a part of NASA's first lunar mission and introduced tiltrotor systems to the world. Today, we're elevating the commercial helicopter market with advanced aircraft and technology.

Above all, our breakthrough innovations deliver exceptional experiences to our customers. Efficiently. Reliably. And always, with safety at the forefront.

---

## UNLOCKING NEW WORLDS

Leading the VIP luxury aircraft market with more than 400 flying aircraft across the globe, the Bell 429 delivers smooth flights, elegant interiors and exceptional experiences to those ready to explore new heights. Coupling advanced rotorcraft avionics with a sleek, sophisticated design, the platform never compromises comfort nor performance.

---





## **CREATE YOUR OWN TIME MACHINE**

Take back your most valuable asset: time. The Bell 429 cruises 150 kts over rush hour traffic, offering a fast, seamless travel experience that saves time, and inevitably money. Attend three different meetings in three different cities, all before landing right in your own backyard.

---

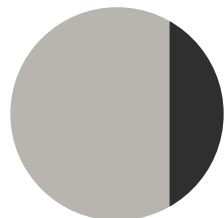


## **DESIGNED BY OWNERS FOR OWNERS**

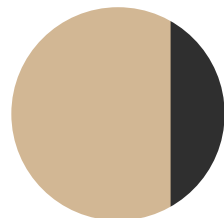
Business or pleasure, the Bell 429 has been designed for the finest flying experience with the safety and comfort of all passengers -whether employees, clients or family members- in mind. Former customers and industry experts collaborated closely to create a clean-sheet design, a unique model that led to an iconic vertical lift solution with a world-class reputation.

---

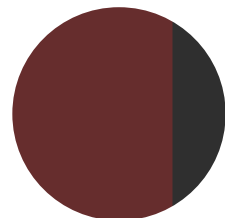
## DESIGNER SERIES INTERIOR COLORS



Arctic Grey +  
Charcoal



Sand +  
Jet Black



Crimson +  
Jet Black



## EXCEPTIONAL ELEGANCE

The Bell 429 Designer Series elevates your cabin experience with superior leathers, enhanced flooring and metal finishes. Designed to represent the finest in comfort and luxury, passengers arrive relaxed, reenergized and ready to take on the next adventure.









## **GREAT INVESTMENT, HIGHER VALUE**

Offering lower operational costs with best-in-class operational reliability, the Bell 429 holds higher value retention than other light twin aircraft. Built with Bell's proven exceptional quality, the aircraft gives you more than just time back - it saves you unnecessary expenses.

---



## CUSTOMER SUPPORT THAT KEEPS YOU IN THE AIR

As the Bell 429 takes you to new levels, count on Bell's exceptional customer support to keep you there. With Bell ownership comes access to a top-rated support and service organization with more than 60 years of industry-leading experience, more than 100 global service centers, world-class training facilities, unique aircraft customization, repair and overhaul services and more.



## TECHNICAL SPECIFICATIONS

### Performance at Max Gross Weight

VNE	155 kts	287 km/h
Max Cruise	150 kts	278 km/h
Range at VLRC <sup>1</sup>	411 nm	761 km

Max Endurance <sup>1</sup>	4.5 hrs
----------------------------	---------

### Capacities

Standard Seating	1 + 7
------------------	-------

Maximum Seating	1 + 7
-----------------	-------

Standard Fuel	217 US gal	821 liters
---------------	------------	------------

Aux Fuel (Optional)	39 US gal	148 liters
---------------------	-----------	------------

Cabin Volume <sup>2</sup>	204 ft <sup>3</sup>	5.78 m <sup>3</sup>
---------------------------	---------------------	---------------------

Baggage Compartments Volume	74 ft <sup>3</sup>	2.1 m <sup>3</sup>
-----------------------------	--------------------	--------------------

### Weights

Empty Weight (Standard Configuration)	4,465 lbs	2,025 kg
---------------------------------------	-----------	----------

Useful Load (Internal, Standard Configuration)	2,535 lbs	1,150 kg
--	-----------	----------

Useful Load (Internal, Standard Configuration, IGW <sup>3</sup> )	3,014 lbs	1,367 kg
---	-----------	----------

Max Gross Weight (Internal)	7,000 lbs	3,175 kg
-----------------------------	-----------	----------

Max Gross Weight (Internal, IGW <sup>3</sup> )	7,500 lbs	3,402 kg
--	-----------	----------

Max Gross Weight (External Load)	8,000 lbs	3,629 kg
----------------------------------	-----------	----------

Cargo Hook Capacity	3,000 lbs	1,361 kg
---------------------	-----------	----------

<sup>1</sup> Standard Max GW, ISA, Std fuel - no reserve, at 4000 ft (1219 m)

<sup>2</sup> Total contiguous area, including baggage compartment. Does not include copilot volume of 28 ft<sup>3</sup>/0.8 m<sup>3</sup>

<sup>3</sup> Operations at 7,500 lb (where approved for use) require optional internal increased gross weight (IGW) kit and may add up to 21 lb to standard configuration empty weight

**Avionics** Bell Basix-Pro 2nd Generation with GTN-750/GTN-650

**Display** Two 6" x 8" NVG Compatible, LED Back-Lit LCD Displays with Optional Third Display (6.9" and 4.9" Navigation Displays)

**Navigation** Garmin GTN-750/650 NAV/COM/WAAS GPS system with GPS Based Moving Maps, Integrated Charts, Facility Diagrams, and Optional Jeppesen Charts

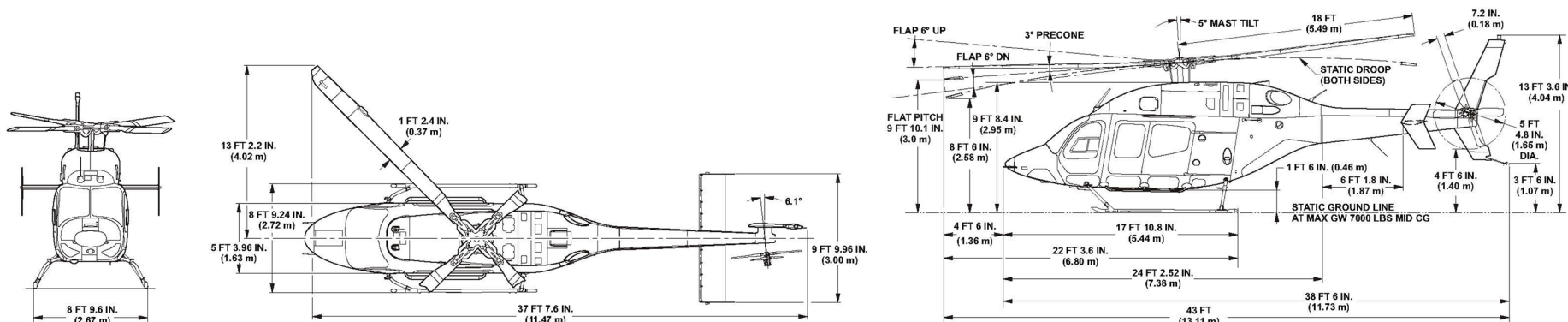
**Transponder** GARMIN transponder GTX 345R, Non-Diversity Extended Squitter (ES) Mode S transponder with Automatic Dependent Surveillance-Broadcast (ADS-B) In and Out

**Communication** PMA-7000H Audio/Intercom Panel with VOX and Integral Marker Beacon Receiver, and an ARTEX C406-N-HM Emergency Locator Transmitter (ELT)

**Situational Awareness** Fully-coupled steep (9-degree) LPV WAAS (Localizer Precision with Vertical guidance Wide Area Augmentation System) approaches with Moving Map and Traffic Information. Optional: Helicopter Terrain Awareness Warning Systems (HTAWS), Weather Radar, Traffic Advisory System)

**Engine Instrument and Crew Alert System (EICAS)** Integrated Engine power and performance display using Bell Patented Power Situation Indicator (PSI) and Visual and Aural Crew Alert System

**Automatic Flight Control System** Bell-designed Automatic Flight Control System (AFCS) featuring redundant digital flight control computers (FCCS) and providing 3-axis or 4-axis capability with dual flight directors



EXTERIOR PAINT SCHEME OPTIONS





Effortlessly stylish, smooth and swift, the Bell 429 embodies luxury, elevated. Fly like you've never flown before in an aircraft designed for your comfort and built to captivate the world.

---

