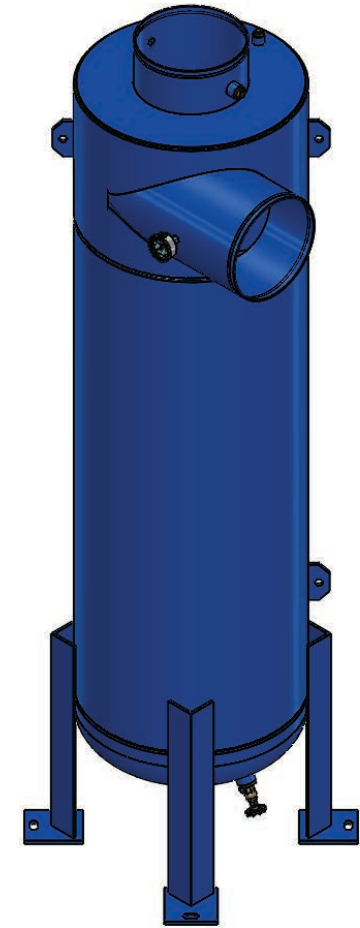
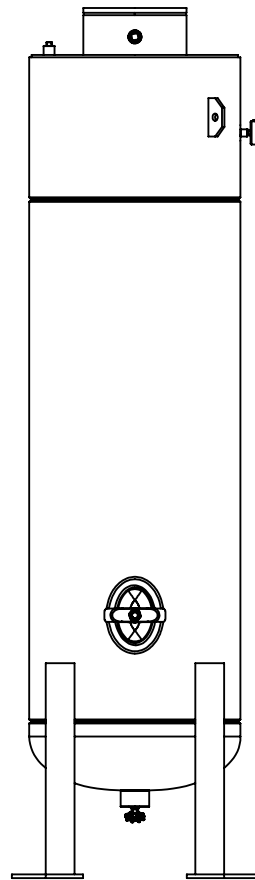
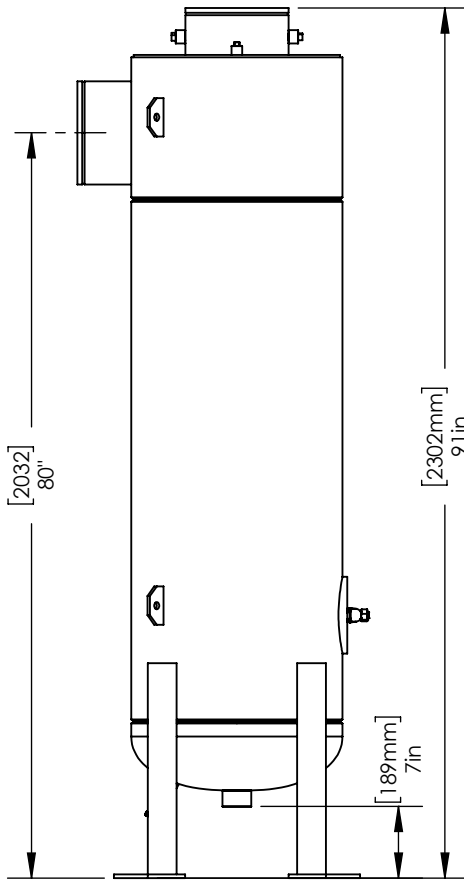
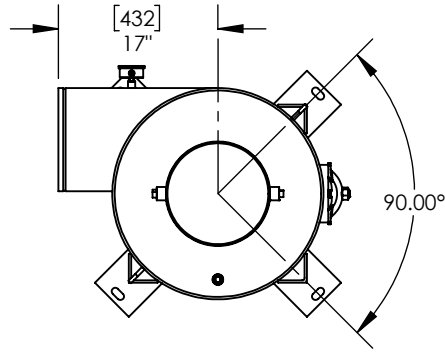


# GENERAL WATER SYSTEMS

## SEPARATOR

THIS DRAWING IS FOR SPATIAL CONSIDERATION ONLY, AND SUBJECT TO CHANGE W/O PREVIOUS NOTICE, DO NOT PRE-PLUMB TO THESE DIMENSIONS



### NOTES:

1. **INLET:** 10" GE
2. **OUTLET:** 10" GE
3. **MAXIMUM PRESSURE:** 150PSI
4. **FLOW RANGE:** 1101-1870GPM
5. **PURGE:** 2" IPS

PREPARED BY:  
KYLE MCCARTHY

\*UNLESS OTHERWISE SPECIFIED - ALL DIMENSIONS ARE IN INCHES

PART NUMBER:  
**CS-10-GE**

DATE:  
**9/15/2020**



General Water Systems | P.O Box 444 | Desert Hot Springs | CA | 92204  
[www.gwslp.com](http://www.gwslp.com) | [info@gwslp.com](mailto:info@gwslp.com) | 951.213.9506 | 386.255.3909

**CS-10T-GE**