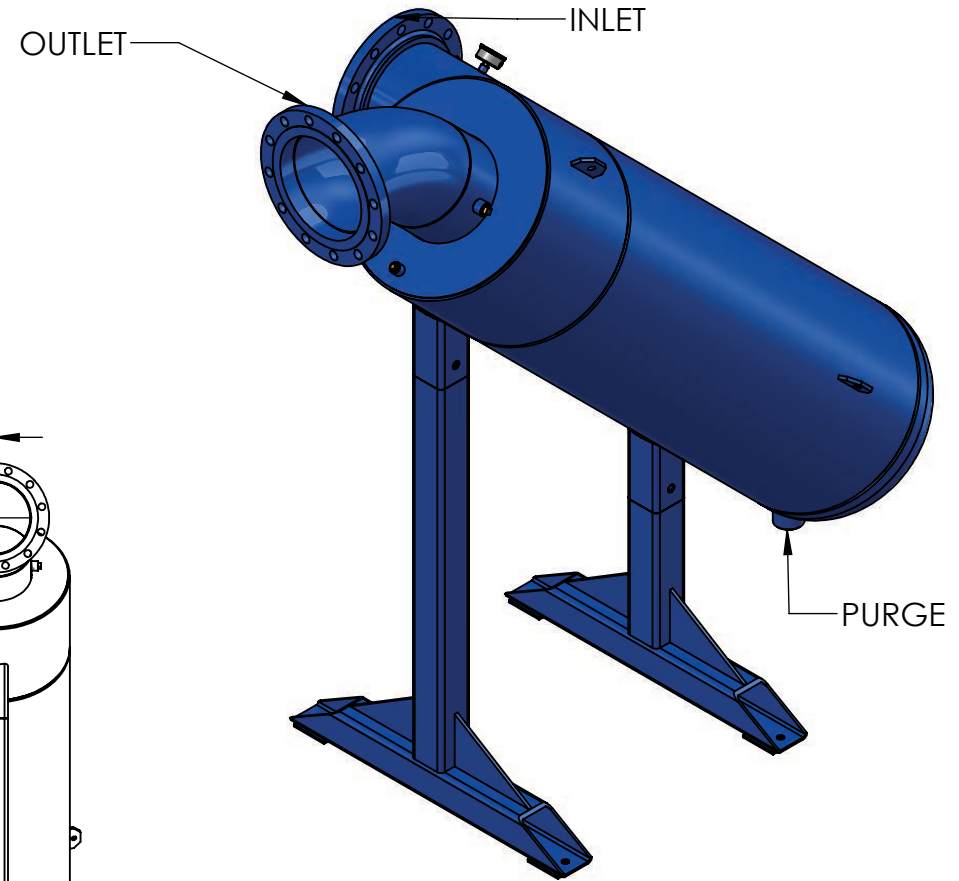
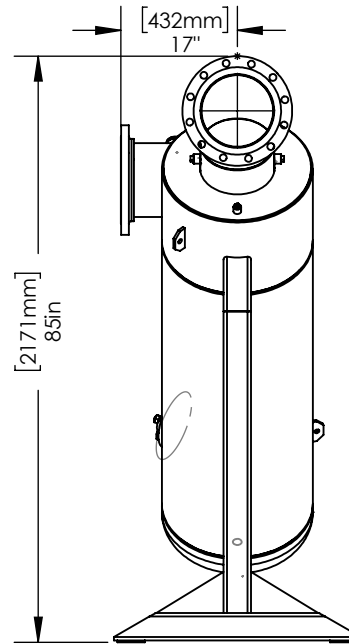
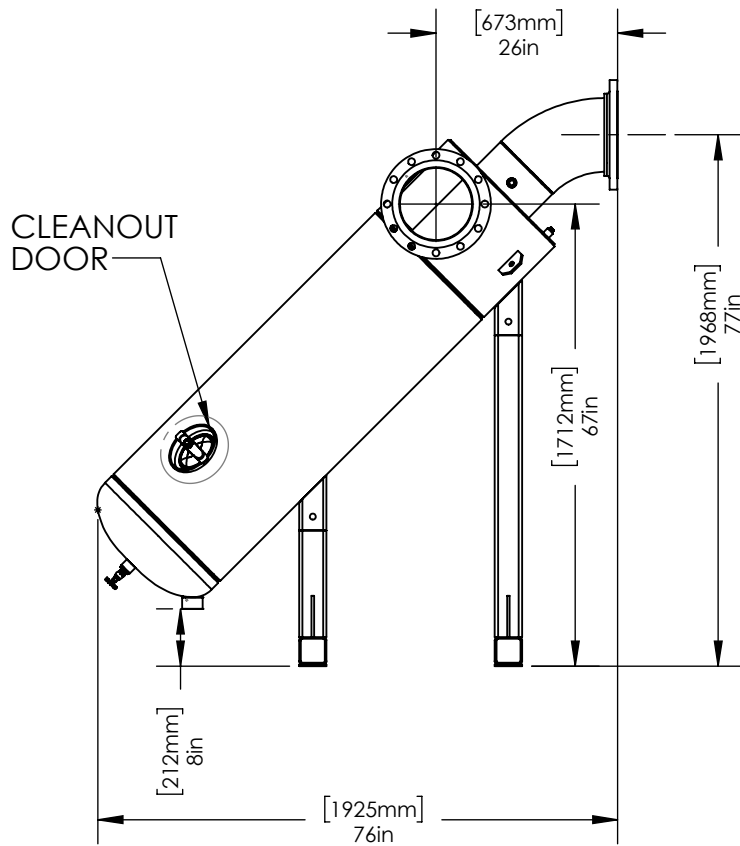
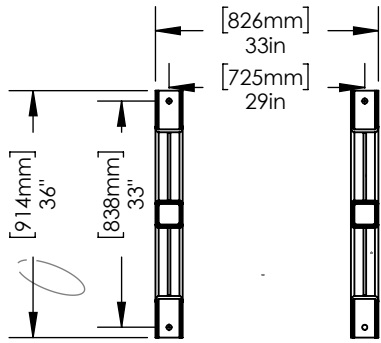


# GENERAL WATER SYSTEMS

## SEPARATOR

THIS DRAWING IS FOR SPATIAL CONSIDERATION ONLY, AND SUBJECT TO CHANGE W/O PREVIOUS NOTICE, DO NOT PRE-PLUMB TO THESE DIMENSIONS



### NOTES:

1. **INLET:** 10" IPS
2. **OUTLET:** 10" IPS
3. **MAXIMUM PRESSURE:** 150PSI
4. **FLOW RANGE:** 1871-2950GPM
5. **PURGE:** 2" IPS

PREPARED BY:  
KYLE MCCARTHY

\*UNLESS OTHERWISE SPECIFIED -  
ALL DIMENSIONS ARE IN INCHES



General Water Systems | P.O. Box 444 | Desert Hot Springs | CA | 92204  
[www.gwslp.com](http://www.gwslp.com) | [info@gwslp.com](mailto:info@gwslp.com) | 951.213.9506 | 386.255.3909

PART NUMBER:

DATE:

**CS-10-LPF**

**7/23/2020**

**CS-10T-LPF**