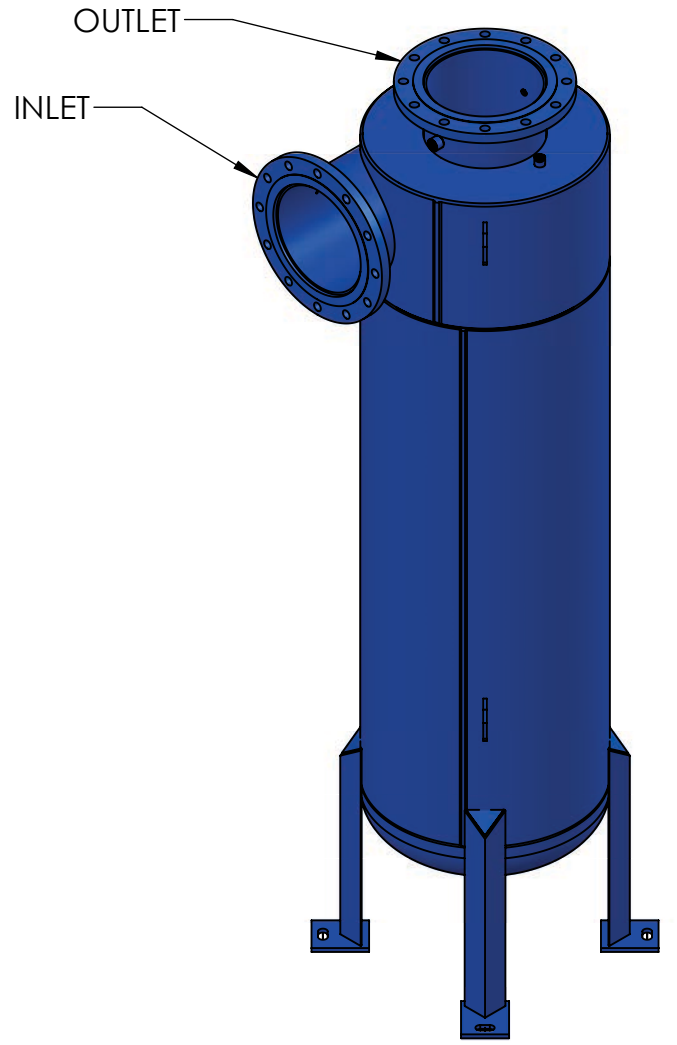
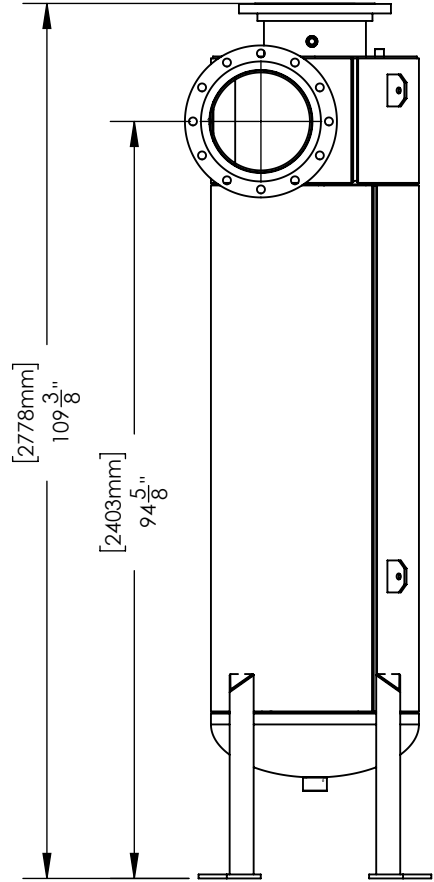
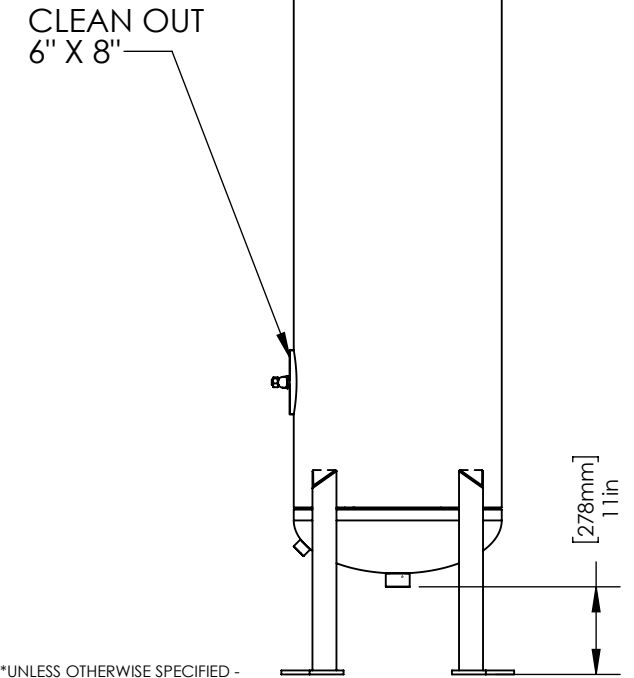
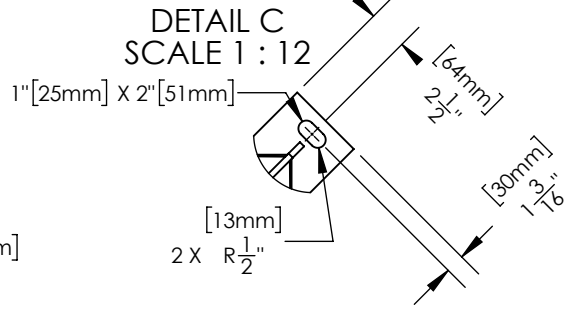
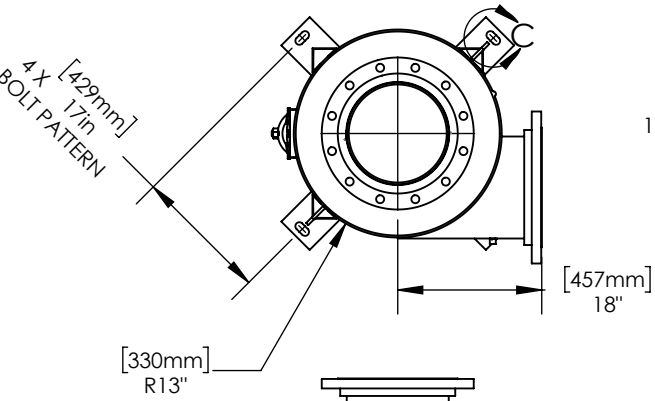


GENERAL WATER SYSTEMS

SEPARATOR

THIS DRAWING IS FOR SPATIAL CONSIDERATION ONLY, AND SUBJECT TO CHANGE W/O PREVIOUS NOTICE, DO NOT PRE-PLUMB TO THESE DIMENSIONS



- NOTES:**
1. INLET: 12" IPS (CLASS 150 FLANGE)
 2. OUTLET: 12" IPS (CLASS 150 FLANGE)
 3. MAXIMUM PRESSURE: 150 PSI @ 250F
 4. FLOW RANGE: 2951-4200 GPM
 5. PURGE: 2" IPS (NPT THREAD)
 6. SHIPPING WEIGHT: 1200 LBS (544 KG)

*UNLESS OTHERWISE SPECIFIED - ALL DIMENSIONS ARE IN INCHES

PREPARED BY: PEI-CHI(JASON) WU	PART NUMBER: CS-12T-FLG	PAGE: 1
RELEASED BY:	DATE: 12-12-2019	REV: B



CS-12T-FLG