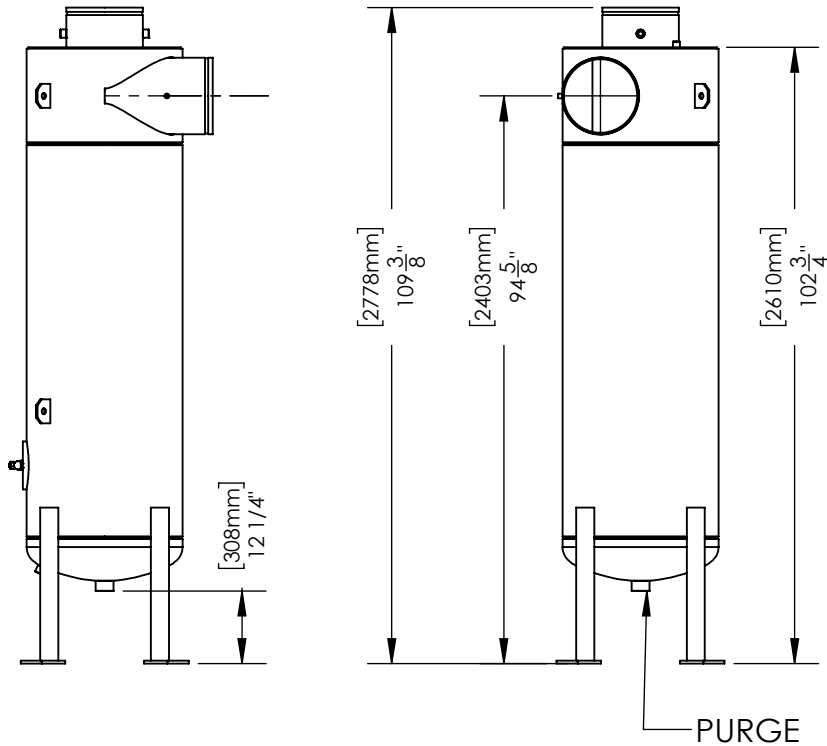
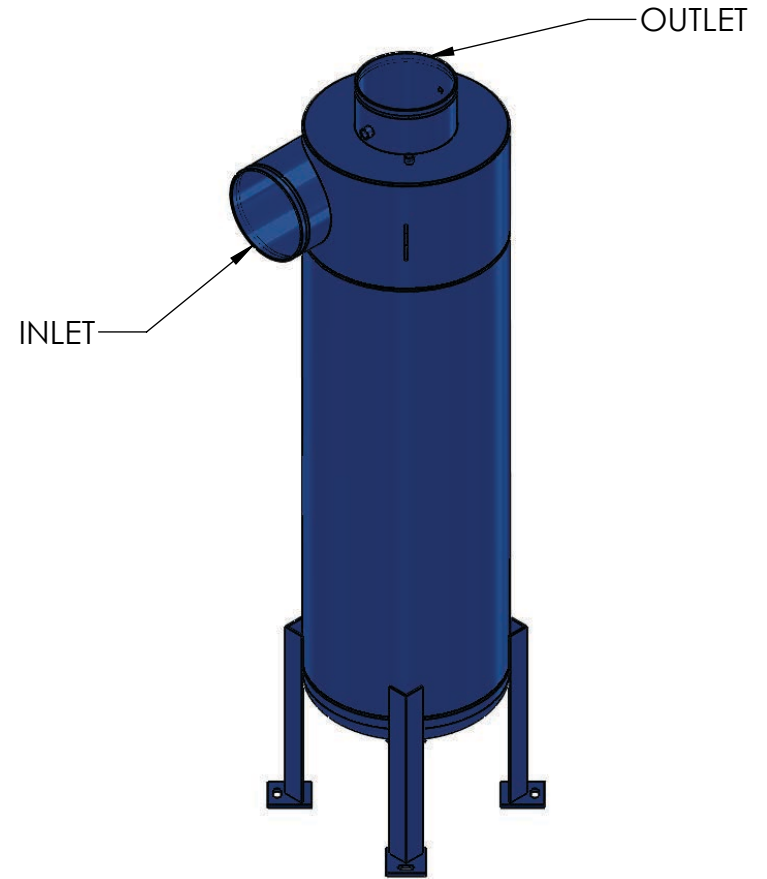
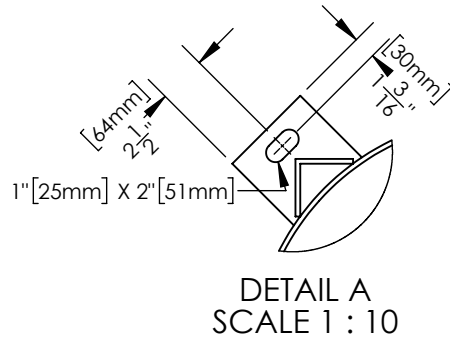
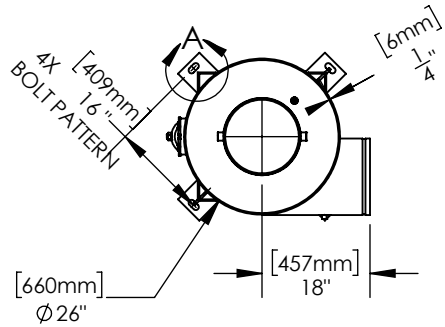


GENERAL WATER SYSTEMS

SEPARATOR

THIS DRAWING IS FOR SPATIAL CONSIDERATION ONLY, AND SUBJECT TO CHANGE W/O PREVIOUS NOTICE, DO NOT PRE-PLUMB TO THESE DIMENSIONS



NOTES:

1. INLET: 12" IPS
2. OUTLET: 12" IPS
3. MAXIMUM PRESSURE: 150 PSI @ 250F
4. FLOW RANGE: 2951-4200 GPM
5. PURGE: 2" IPS (NPT THREAD)

PREPARED BY:
KYLE MCCARTHY

REV:
A

RELEASED BY:
TIM BOYLEN

DATE:
9/16/2020



General Water Systems | P.O. Box 444 | Desert Hot Springs | CA | 92204
www.gwslp.com | info@gwslp.com | 951.213.9506 | 386.255.3909
 *UNLESS OTHERWISE SPECIFIED - ALL DIMENSIONS ARE IN INCHES

CS-12T-GE