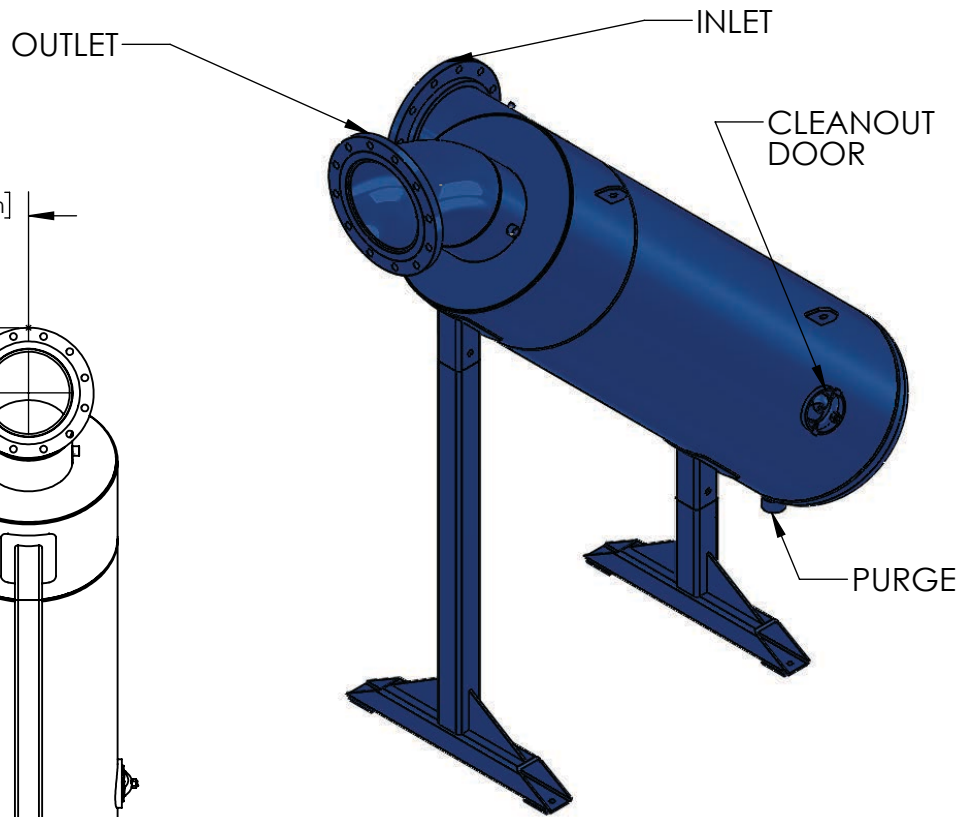
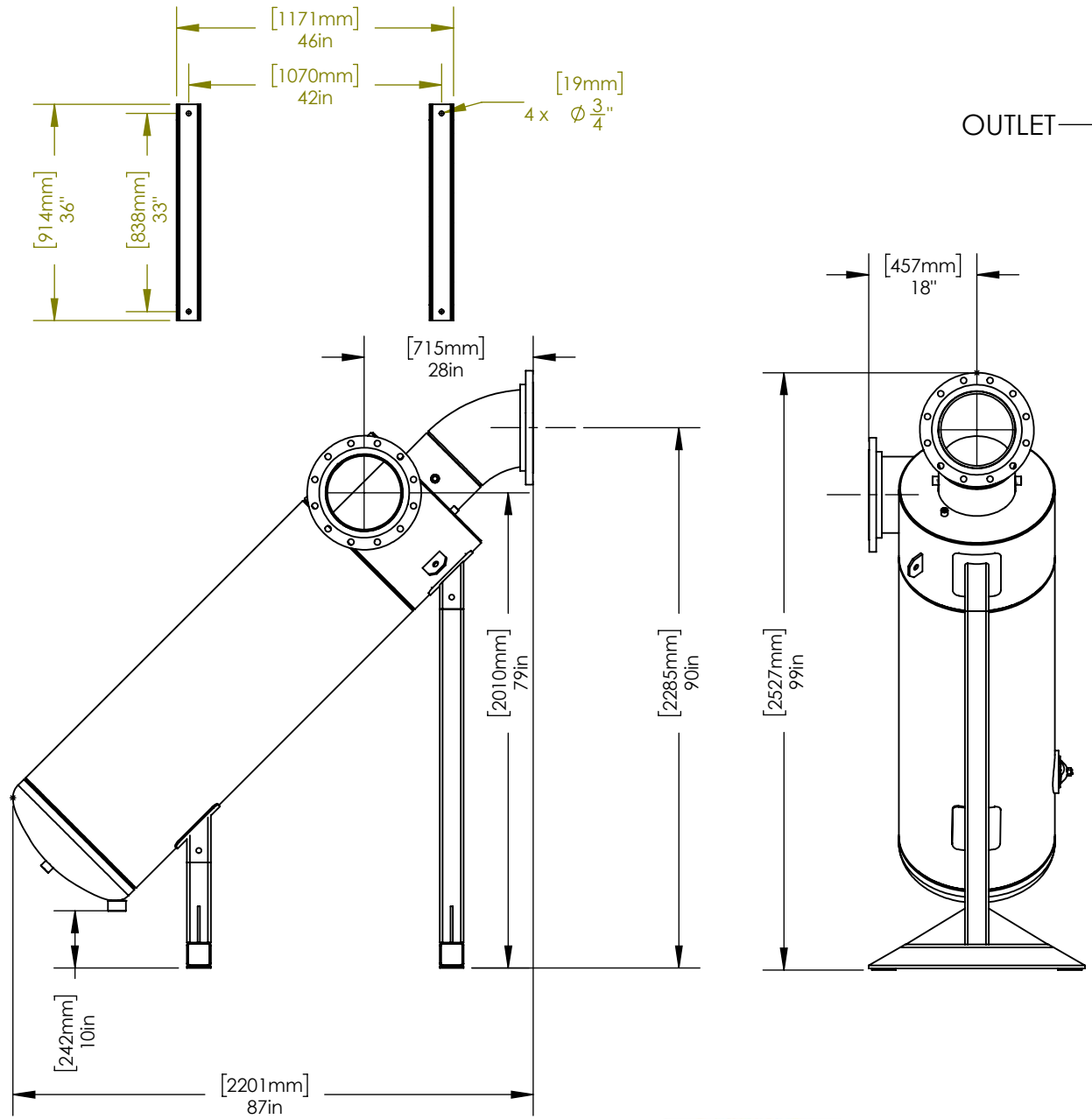


GENERAL WATER SYSTEMS

THIS DRAWING IS FOR SPATIAL CONSIDERATION ONLY, AND SUBJECT TO CHANGE W/O PREVIOUS NOTICE, DO NOT PRE-PLUMB TO THESE DIMENSIONS

SEPARATOR

MOUNTING DIMENSIONS



NOTES:

1. **INLET:** 12" IPS
2. **OUTLET:** 12" IPS
3. **MAXIMUM PRESSURE:** 150PSI
4. **FLOW RANGE:** 2951-4200GPM
5. **PURGE:** 2" IPS

PREPARED BY: KYLE MCCARTHY	*UNLESS OTHERWISE SPECIFIED - ALL DIMENSIONS ARE IN INCHES
PART NUMBER: CS-12T-LPF	DATE: 7/23/2020



General Water Systems | P.O. Box 444 | Desert Hot Springs | CA | 92204
www.gwslp.com | info@gwslp.com | 951.213.9506 | 386.255.3909

CS-12T-LPF