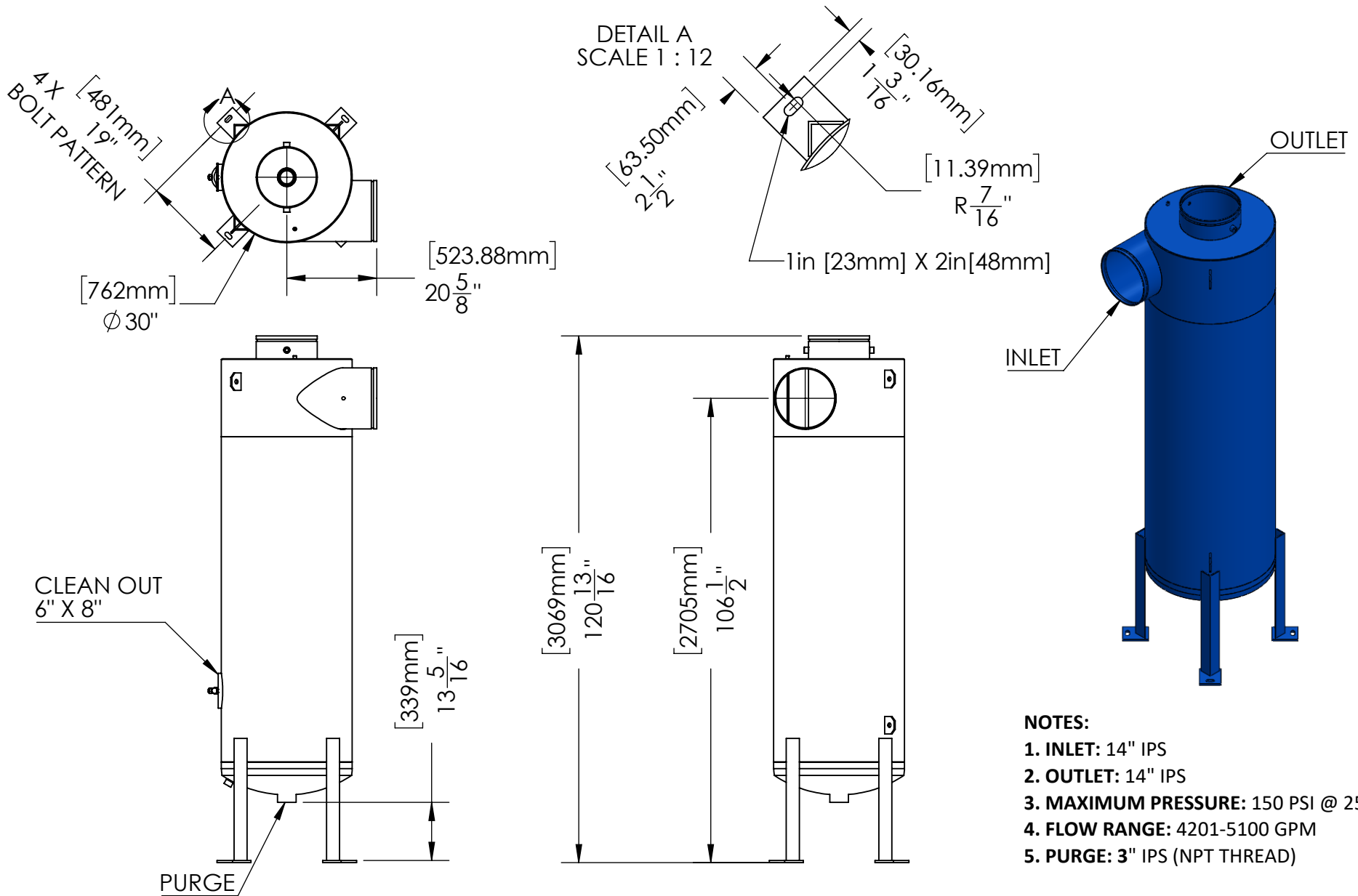


# GENERAL WATER SYSTEMS

## SEPARATOR

THIS DRAWING IS FOR SPATIAL CONSIDERATION ONLY, AND SUBJECT TO CHANGE W/O PREVIOUS NOTICE, DO NOT PRE-PLUMB TO THESE DIMENSIONS



- NOTES:**
1. INLET: 14" IPS
  2. OUTLET: 14" IPS
  3. MAXIMUM PRESSURE: 150 PSI @ 250F
  4. FLOW RANGE: 4201-5100 GPM
  5. PURGE: 3" IPS (NPT THREAD)

PREPARED BY:  
HECTOR J. GUZMAN

REV  
A

RELEASED BY:  
TIM BOYLEN

DATE:  
10/13/2020



General Water Systems | P.O. Box 444 | Desert Hot Springs | CA | 92204  
www.gwslp.com | info@gwslp.com | 951.213.9506 | 386.255.3909

\*UNLESS OTHERWISE SPECIFIED - ALL DIMENSIONS ARE IN INCHES

**CS-14T-GE**