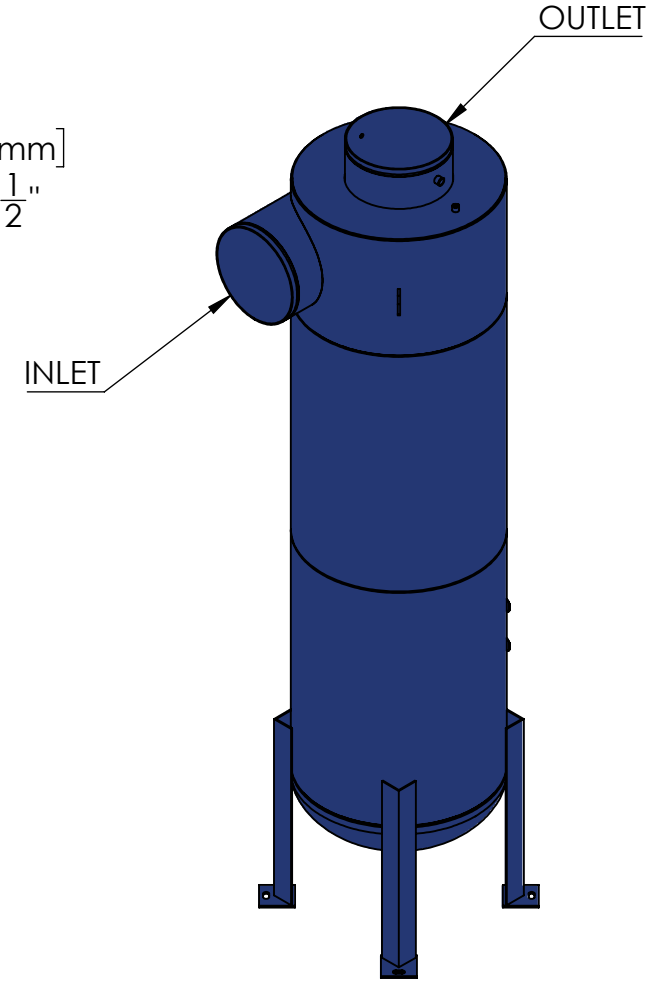
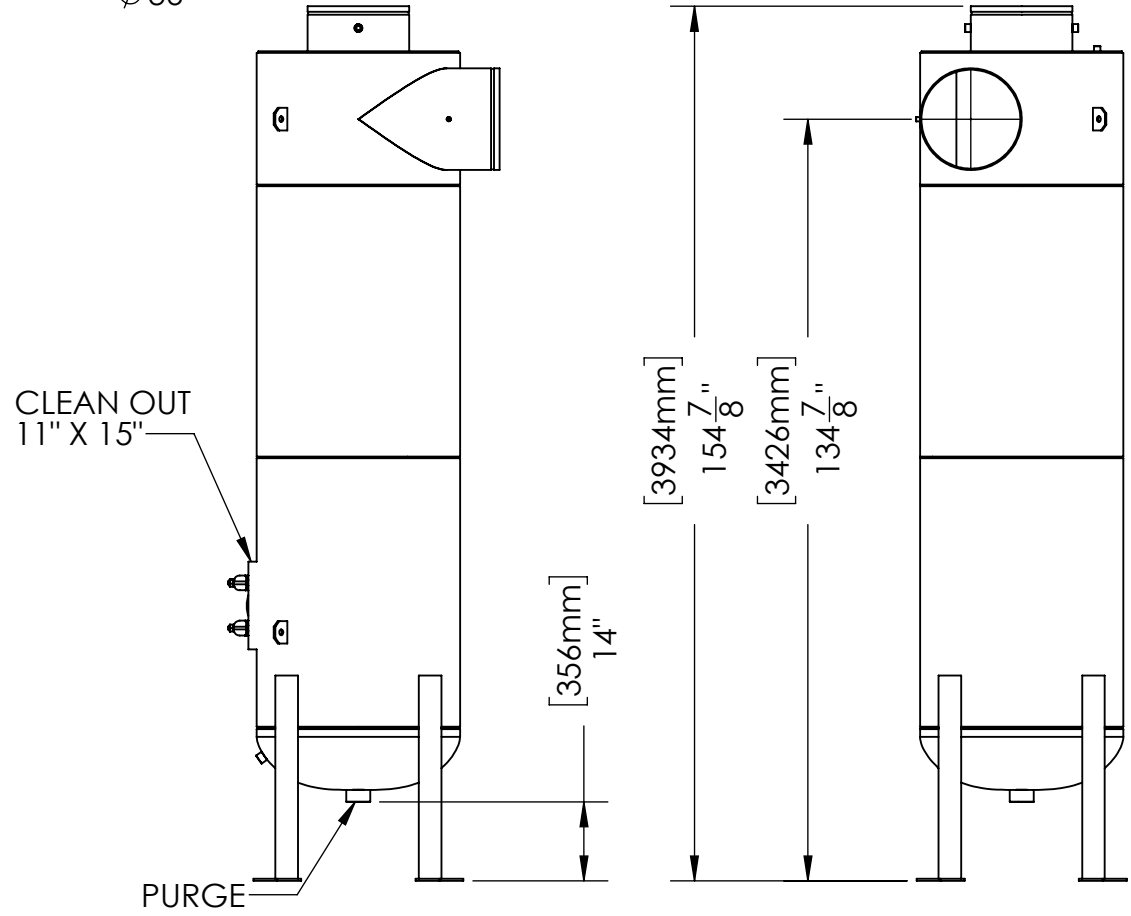
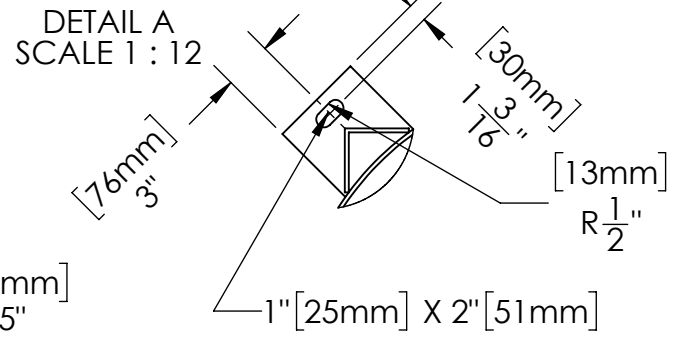
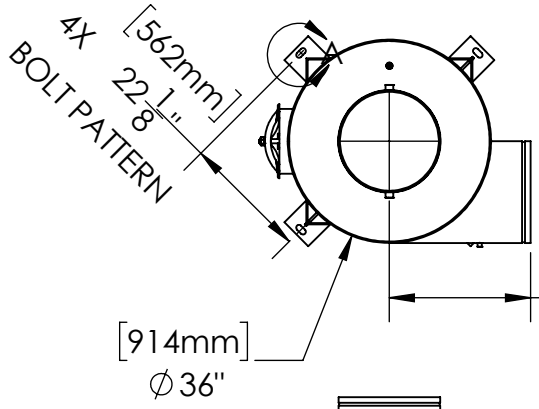


GENERAL WATER SYSTEMS

THIS DRAWING IS FOR SPATIAL CONSIDERATION ONLY, AND SUBJECT TO CHANGE W/O PREVIOUS NOTICE, DO NOT PRE-PLUMB TO THESE DIMENSIONS

SEPARATOR



- NOTES:**
1. INLET: 18" IPS
 2. OUTLET: 18" IPS
 3. MAXIMUM PRESSURE: 150 PSI @ 250F
 4. FLOW RANGE: 6601-8400 GPM
 5. PURGE: 3" IPS (NPT THREAD)

PREPARED BY:
HECTOR J. GUZMAN

REV
DATE:

A



General Water Systems | P.O. Box 444 | Desert Hot Springs | CA | 92204
www.gwslp.com | info@gwslp.com | 951.213.9506 | 386.255.3909

RELEASED BY:
TIM BOYLEN

DATE:
10/14/2020

*UNLESS OTHERWISE SPECIFIED - ALL DIMENSIONS ARE IN INCHES

CS-18T-GE