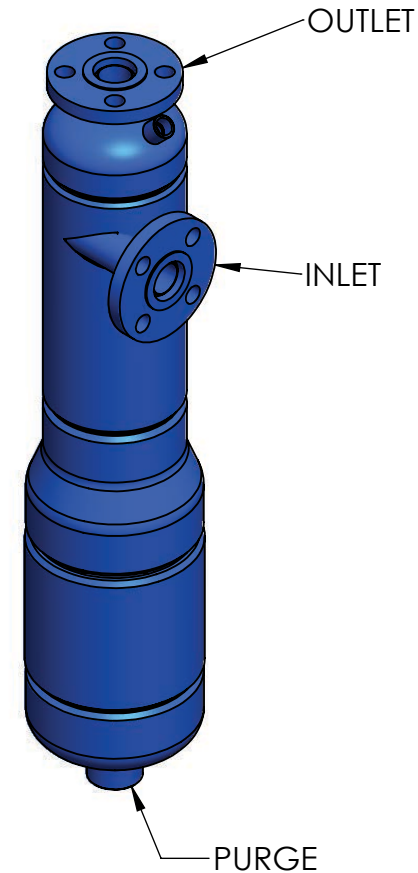
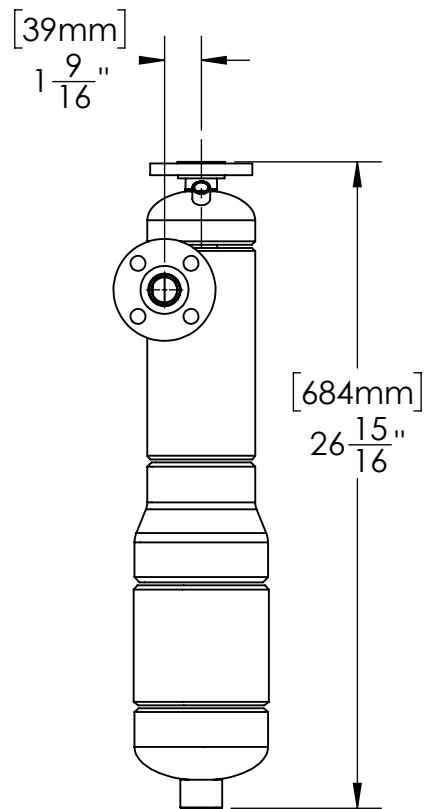
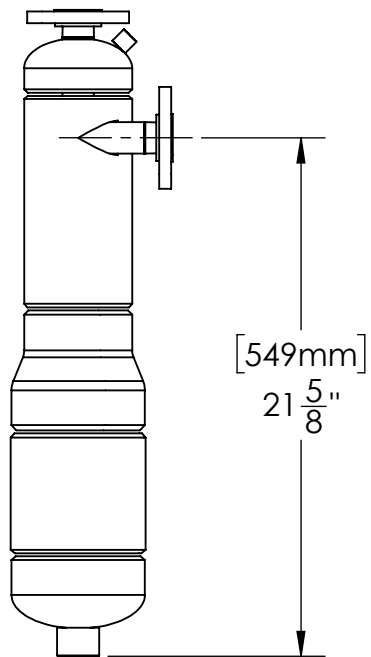
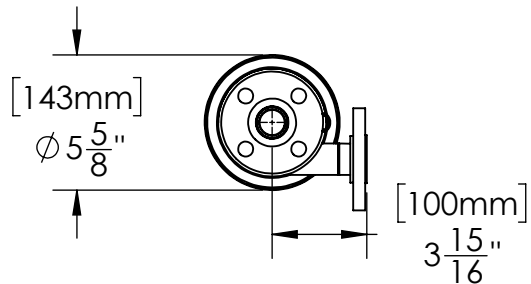


GENERAL WATER SYSTEMS

THIS DRAWING IS FOR SPATIAL CONSIDERATION ONLY, AND SUBJECT TO CHANGE W/O PREVIOUS NOTICE, DO NOT PRE-PLUMB TO THESE DIMENSIONS

SEPARATOR



NOTES

1. **INLET:** 1" IPS (CLASS 150 FLANGE)
2. **OUTLET:** 1" IPS (CLASS 150 FLANGE)
3. **MAX PRESSURE:** 150 PSI @ 250F
4. **FLOW RANGE:** 20-32 GPM
5. **PURGE SIZE:** 1" IPS (NPT THREAD)

PREPARED BY: HECTOR J. GUZMAN	REV A
RELEASED BY: TIM BOYLEN	DATE: 12/13/2020



General Water Systems | P.O. Box 444 | Desert Hot Springs | CA | 92204
 www.gwslp.com | info@gwslp.com | 951.213.9506 | 386.255.3909

*UNLESS OTHERWISE SPECIFIED - ALL DIMENSIONS ARE IN INCHES

CS-1T-FLG