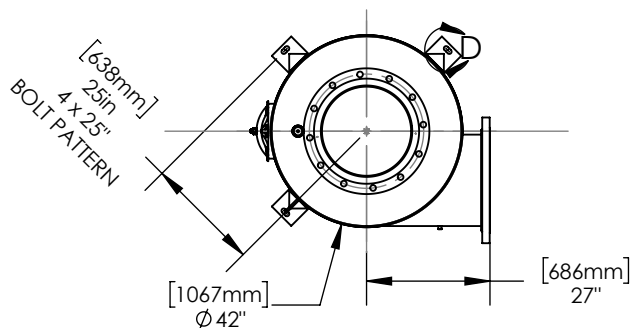


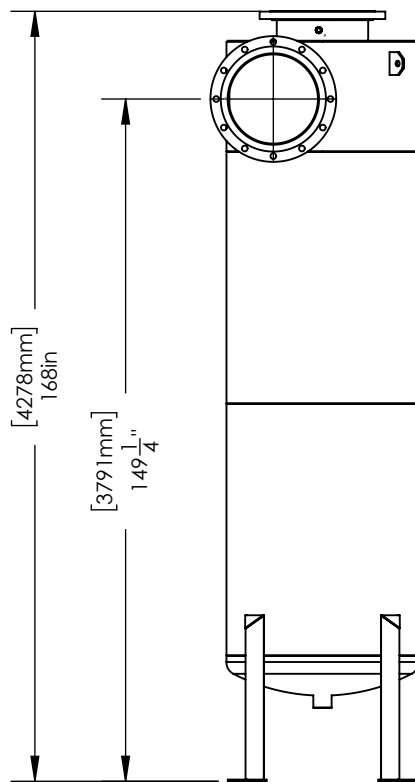
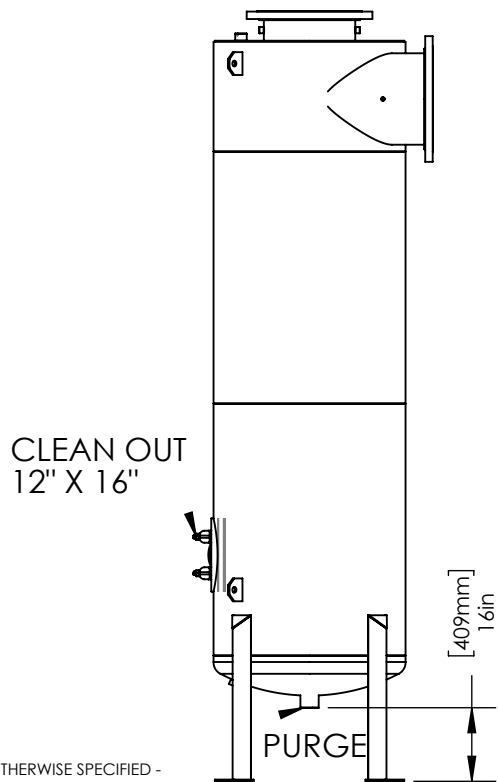
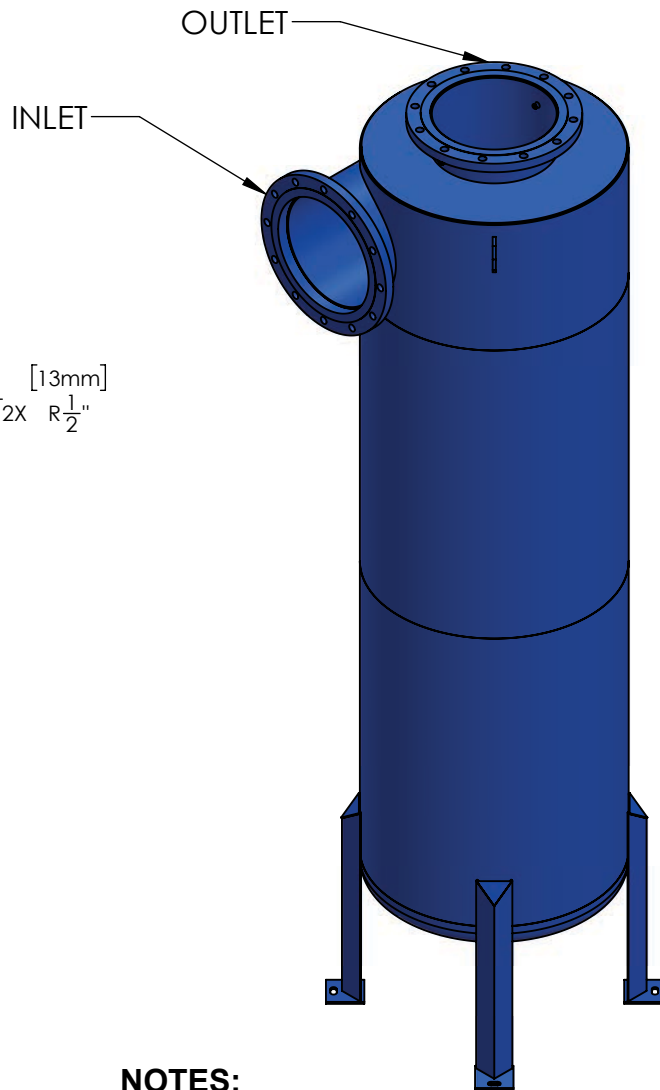
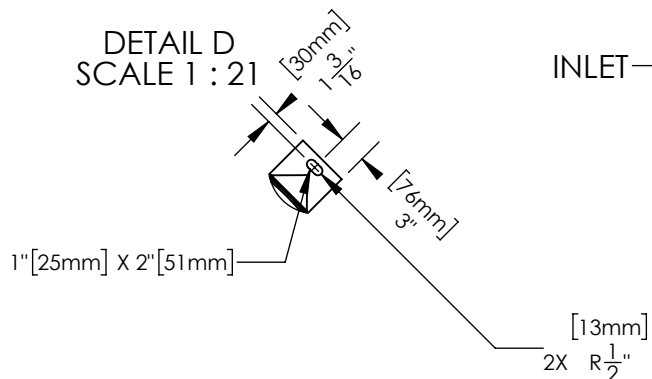
GENERAL WATER SYSTEMS

SEPARATOR

THIS DRAWING IS FOR SPATIAL CONSIDERATION ONLY, AND SUBJECT TO CHANGE W/O PREVIOUS NOTICE, DO NOT PRE-PLUMB TO THESE DIMENSIONS



DETAIL D
SCALE 1 : 21



NOTES:

1. INLET: 20" IPS (CLASS 150 FLANGE)
2. OUTLET: 20" IPS (CLASS 150 FLANGE)
3. MAXIMUM PRESSURE: 150 PSI @ 250F
4. FLOW RANGE: 8401-10400 GPM
5. PURGE: 3" IPS (NPT THREAD)
6. SHIPPING WEIGHT: 3100 LBS (1406 KG)

*UNLESS OTHERWISE SPECIFIED - ALL DIMENSIONS ARE IN INCHES

PREPARED BY:
PEI-CHI (JASON) WU

PART NUMBER:
P7856

PAGE:
1



RELEASED BY:

DATE:
12-12-2019

REV:
B

CS-20T-FLG