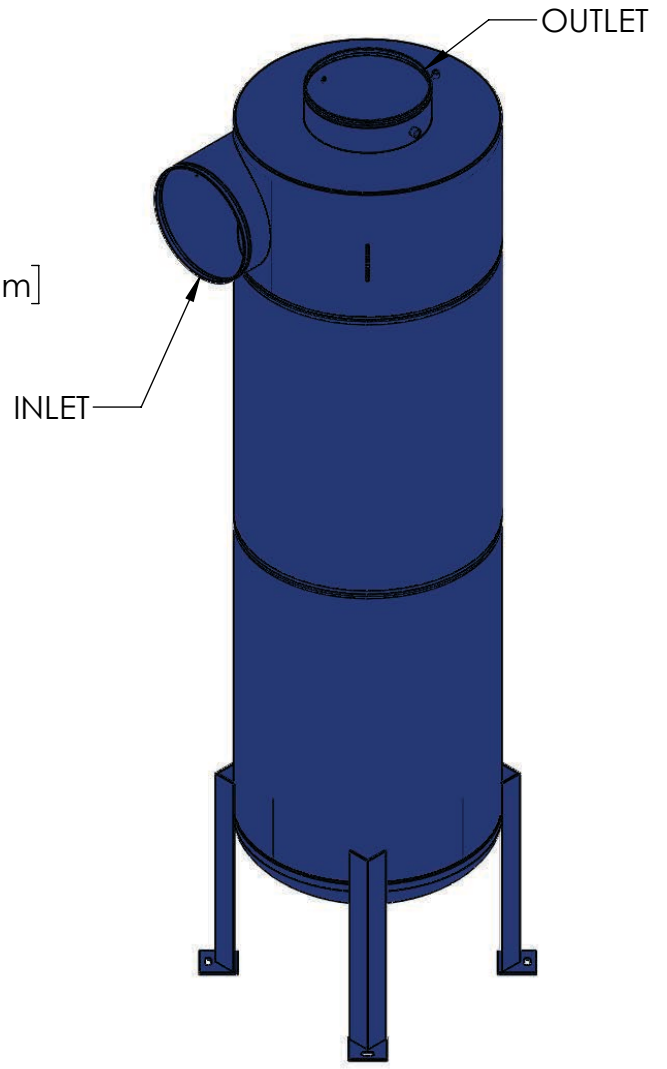
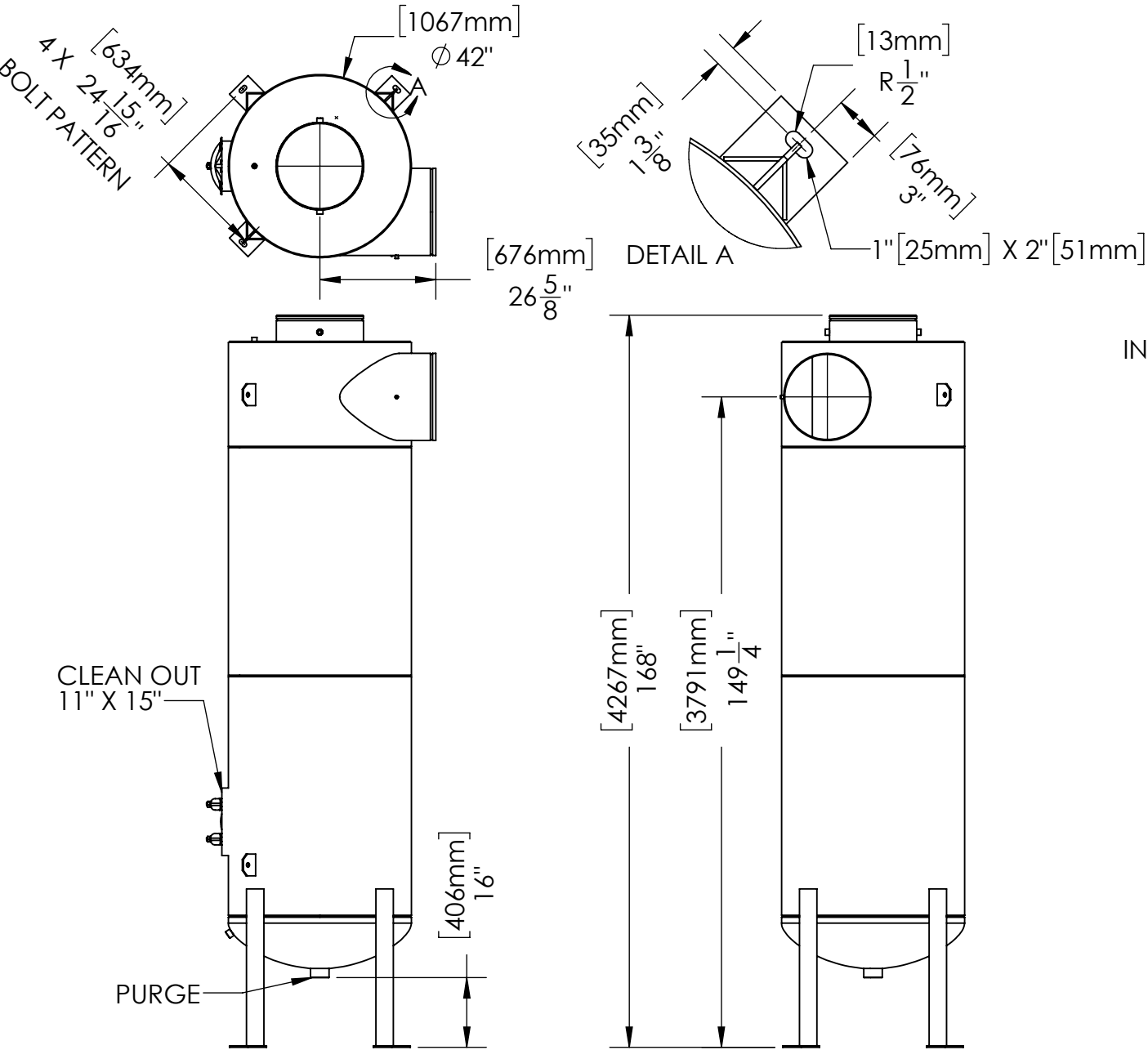


GENERAL WATER SYSTEMS

THIS DRAWING IS FOR SPATIAL CONSIDERATION ONLY, AND SUBJECT TO CHANGE W/O PREVIOUS NOTICE, DO NOT PRE-PLUMB TO THESE DIMENSIONS

SEPARATOR



- NOTES:**
1. INLET: 20" IPS
 2. OUTLET: 20" IPS
 3. MAXIMUM PRESSURE: 150 PSI @ 250F
 4. FLOW RANGE: 8401 - 10400 GPM
 5. PURGE: 3" IPS (NPT THREAD)

PREPARED BY:
HECTOR J. GUZMAN

REV
A

RELEASED BY:
TIM BOYLEN

DATE:
10/20/2020



General Water Systems | P.O Box 444 | Desert Hot Springs |CA | 92204
www.gwslp.com | info@gwslp.com | 951.213.9506 | 386.255.3909
*UNLESS OTHERWISE SPECIFIED - ALL DIMENSIONS ARE IN INCHES

CS-20T-GE