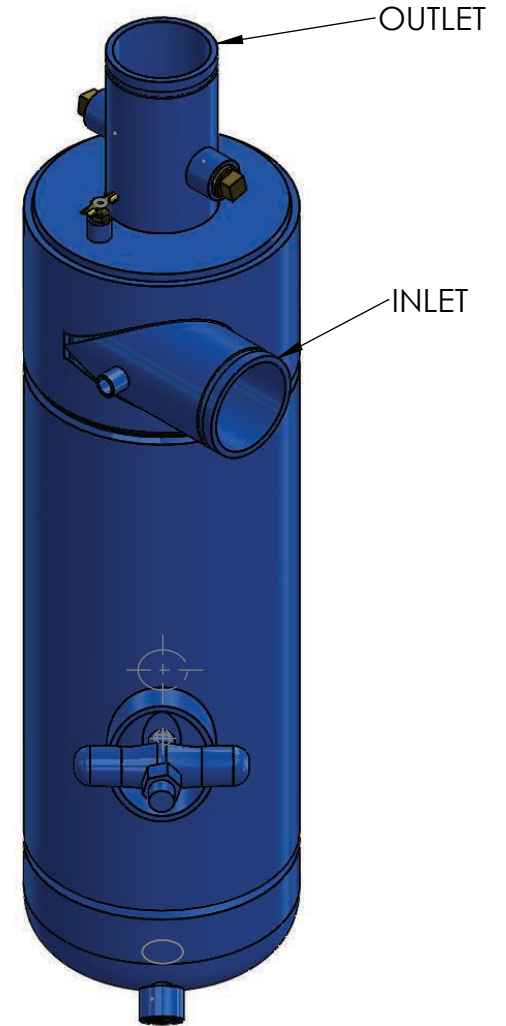
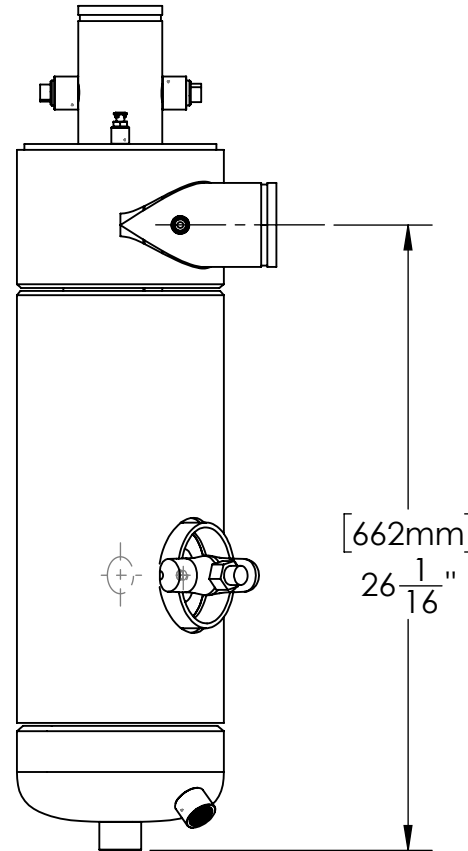
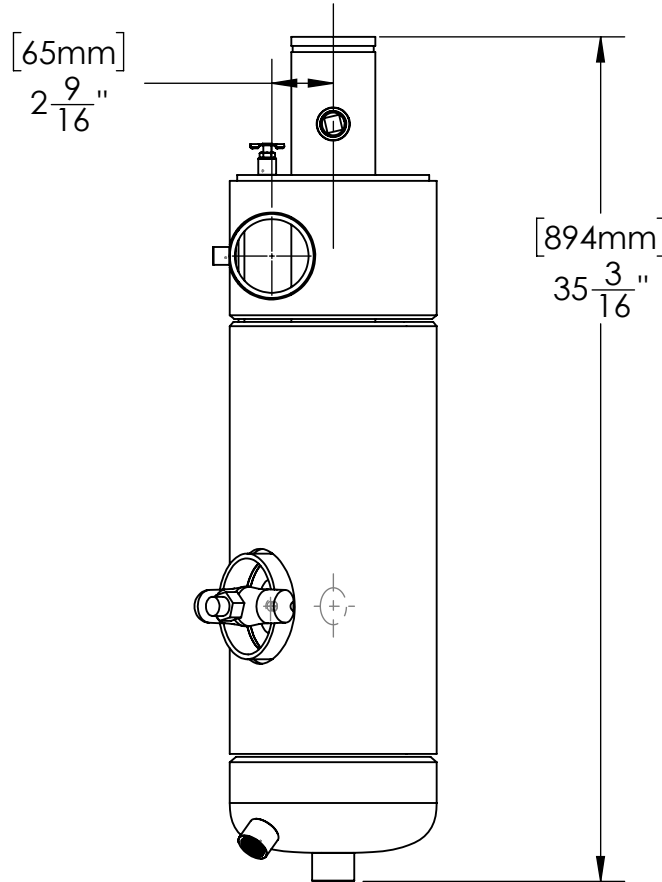
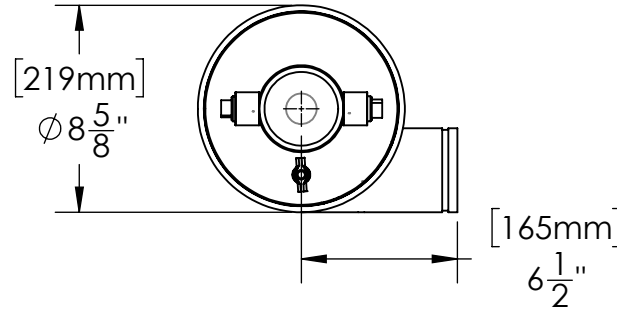


NOTES:

1. **INLET:** 3" GE
2. **OUTLET:** 3" GE
3. **MAXIMUM PRESSURE:** 150PSI
4. **FLOW RANGE:** 181-280GPM
5. **PURGE:** 1" FNPT



PREPARED BY: KYLE MCCARTHY	PAGE: 1
RELEASED BY:	DATE: 08/19/2019



General Water Systems | P.O Box 444 | Desert Hot Springs | CA | 92204
www.gwslp.com | info@gwslp.com | 951.213.9506 | 386.255.3909

*UNLESS OTHERWISE SPECIFIED - ALL DIMENSIONS ARE IN INCHES

CS-3T-GE