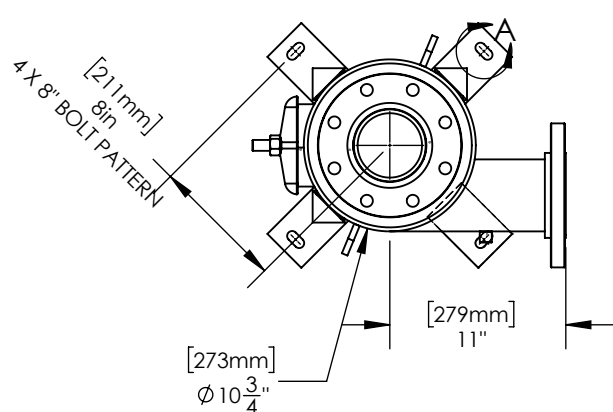


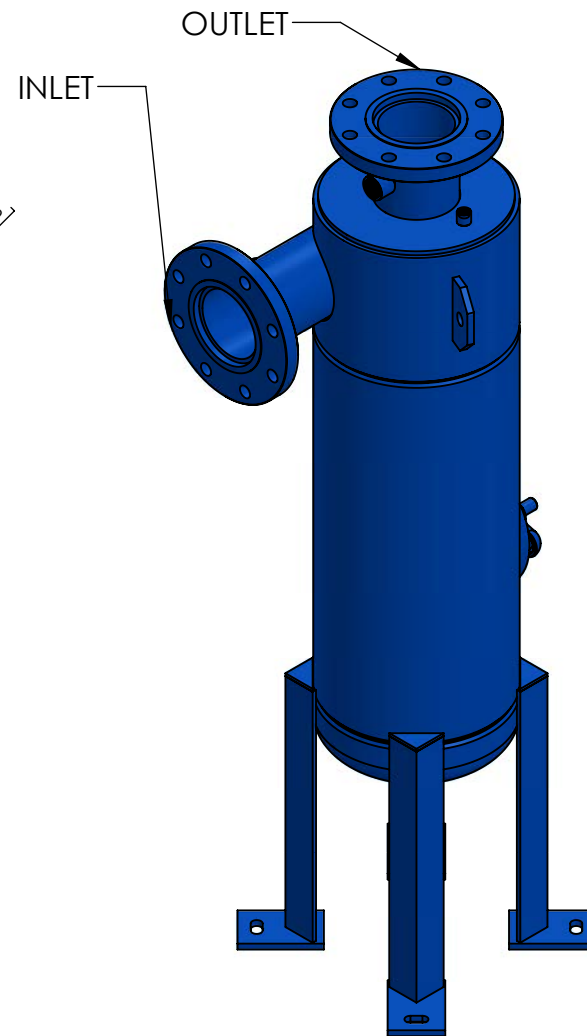
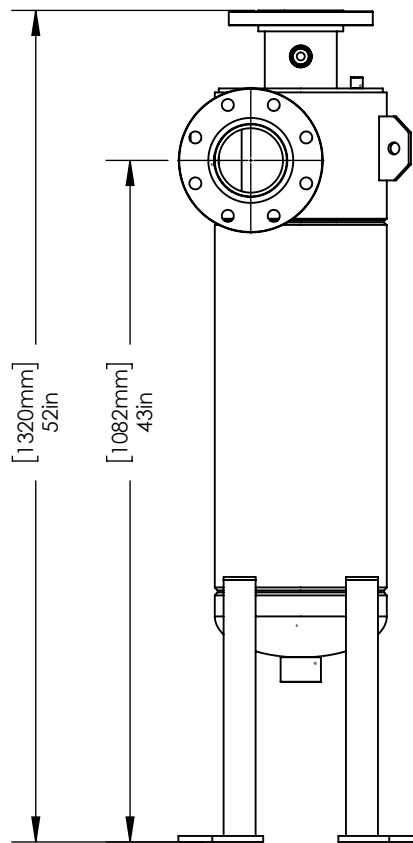
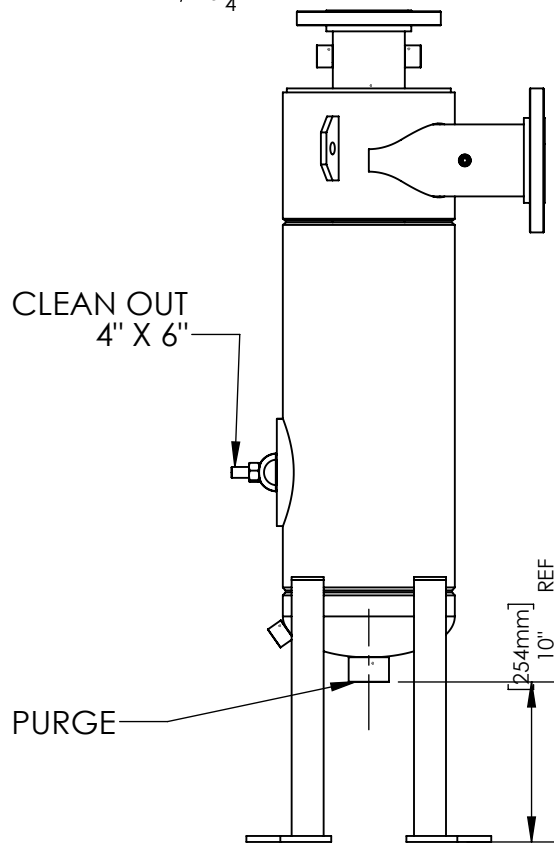
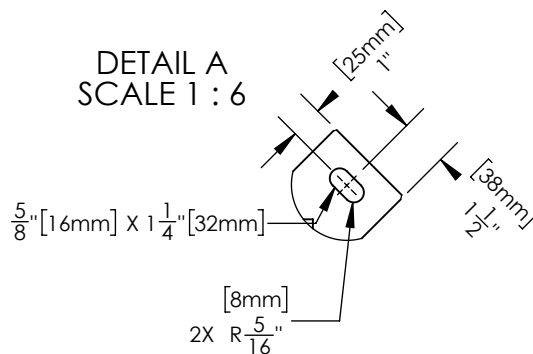
GENERAL WATER SYSTEMS

SEPARATOR

THIS DRAWING IS FOR SPATIAL CONSIDERATION ONLY, AND SUBJECT TO CHANGE W/O PREVIOUS NOTICE, DO NOT PRE-PLUMB TO THESE DIMENSIONS



DETAIL A
SCALE 1 : 6



NOTES:

1. INLET: 4" IPS (CLASS 150 FLANGE)
2. OUTLET: 4" IPS (CLASS 150 FLANGE)
3. MAXIMUM PRESSURE: 150 PSI @ 250F
4. FLOW RANGE: 281 - 475 GPM
5. PURGE: 1.50" IPS (NPT THREAD)
6. SHIPPING WEIGHT: 280 LBS (127 KG)

*UNLESS OTHERWISE SPECIFIED - ALL DIMENSIONS ARE IN INCHES

PREPARED BY: PEI-CHI(JASON) WU	PART NUMBER: P7848	PAGE: 1
RELEASED BY:	DATE: 12-12-2019	REV: B



General Water Systems | P. O. Box 444 | Desert Hot Spring | CA | 92204
www.gwslp.com | info@gwslp.com | 951.213.9506 | 386.255.3909

CS-4T-FLG