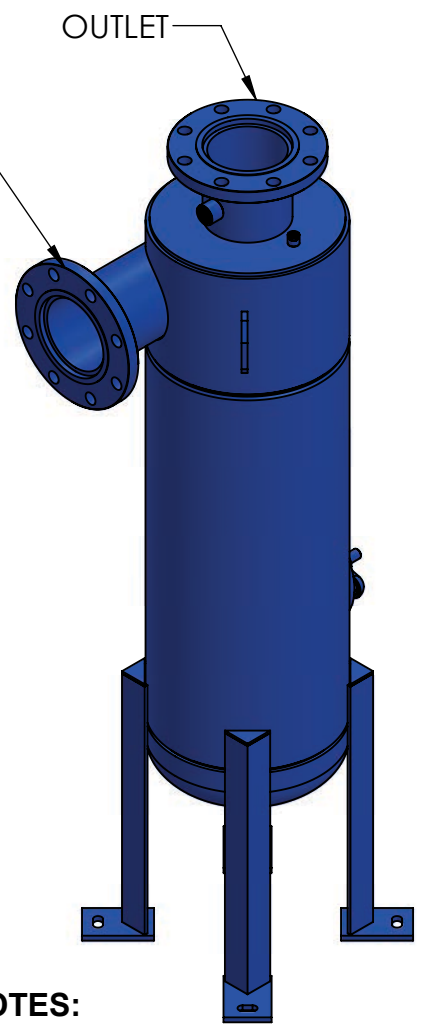
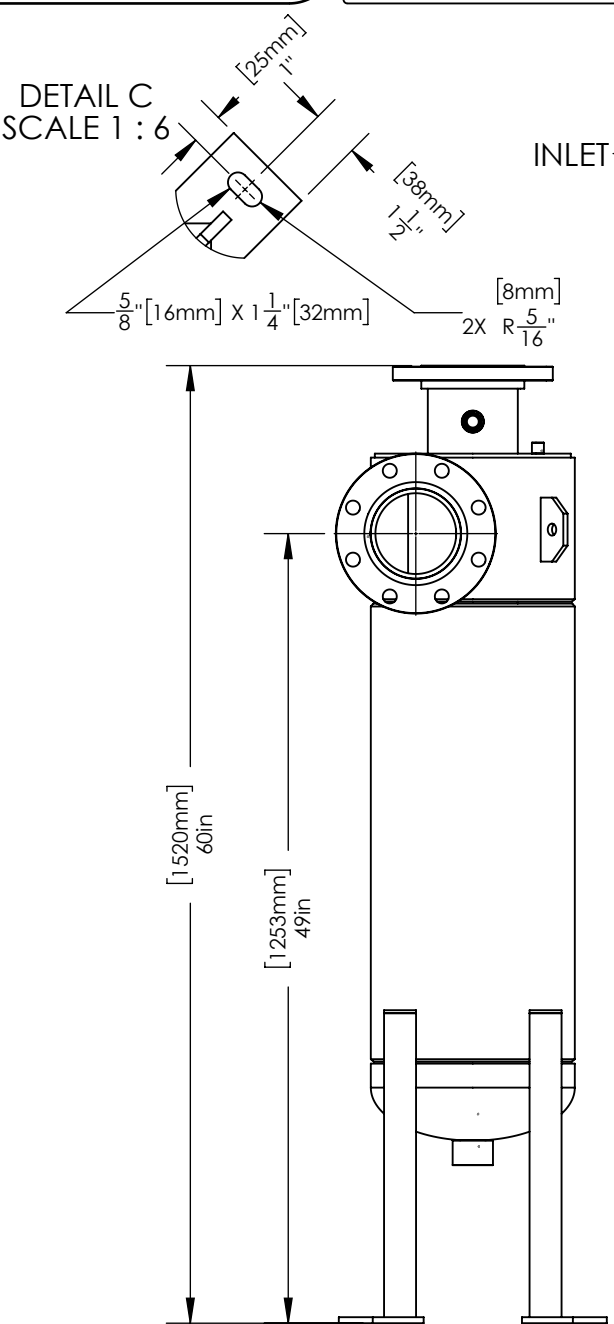
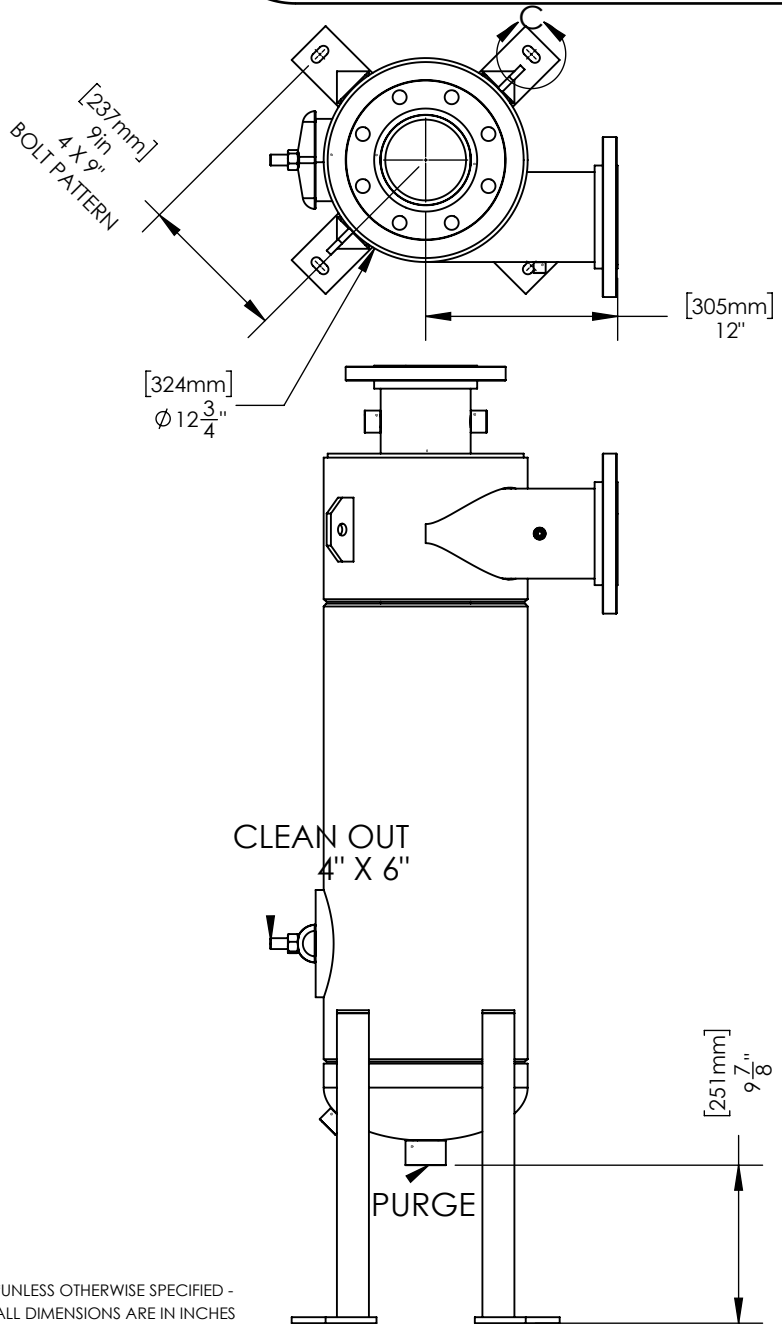


GENERAL WATER SYSTEMS

SEPARATOR

THIS DRAWING IS FOR SPATIAL CONSIDERATION ONLY, AND SUBJECT TO CHANGE W/O PREVIOUS NOTICE, DO NOT PRE-PLUMB TO THESE DIMENSIONS



- NOTES:**
1. INLET: 5" IPS (CLASS 150 FLANGE)
 2. OUTLET: 5" IPS (CLASS 150 FLANGE)
 3. MAXIMUM PRESSURE: 150 PSI @ 250F
 4. FLOW RANGE: 476 - 750 GPM
 5. PURGE: 1.50" IPS (NPT THREAD)
 6. SHIPPING WEIGHT: 300 LBS (136 KG)

*UNLESS OTHERWISE SPECIFIED - ALL DIMENSIONS ARE IN INCHES

PREPARED BY: PEI-CHI(JASON) WU	PART NUMBER: P8670	PAGE: 1
RELEASED BY:	DATE: 12-12-2019	REV: B



General Water Systems | P. O. Box 444 | Desert Hot Spring | CA | 92204
www.gwslp.com | info@gwslp.com | 951.213.9506 | 386.255.3909

CS-5T-FLG