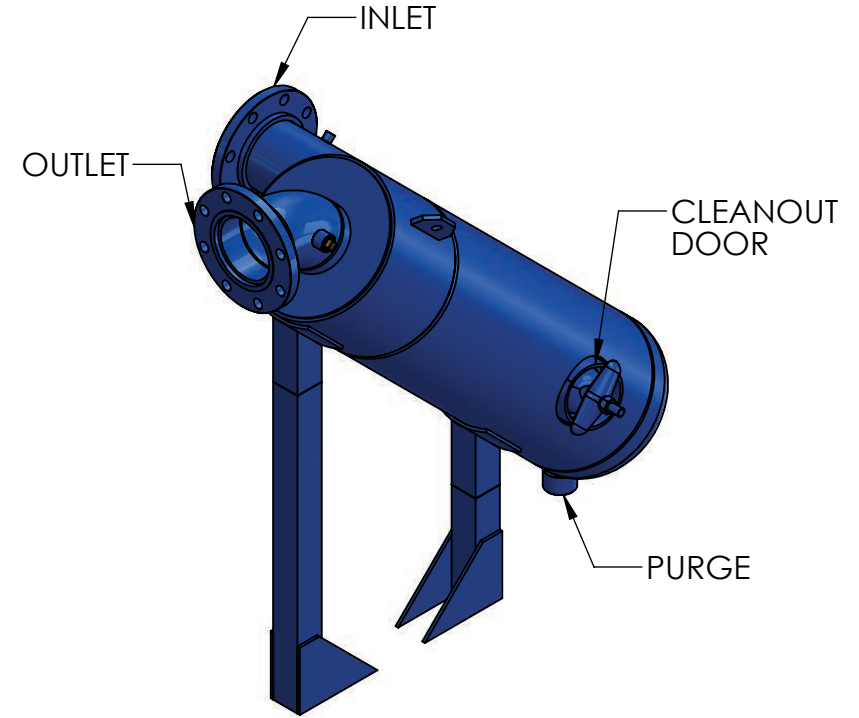
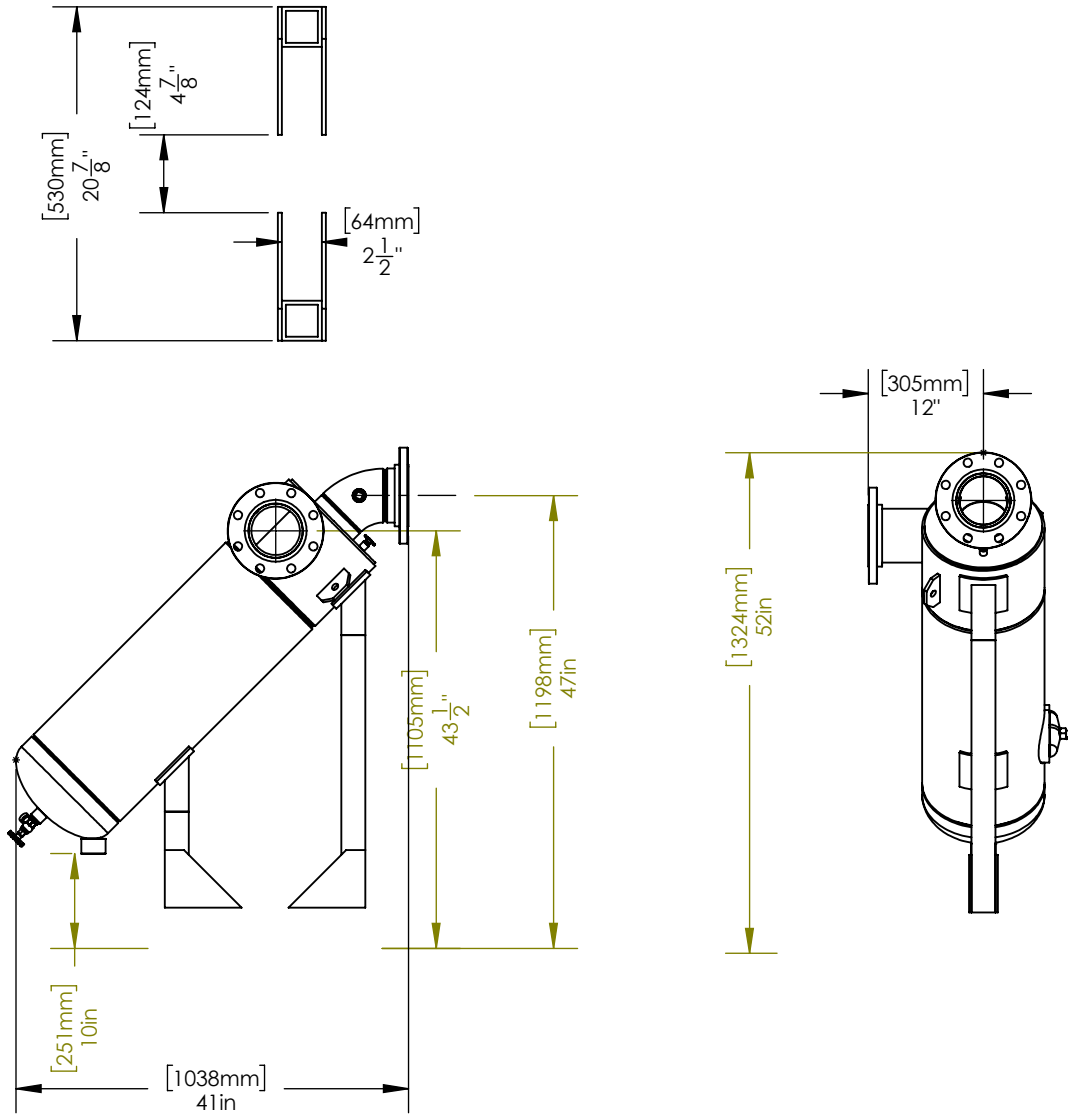


SEPARATOR

GENERAL WATER SYSTEMS

THIS DRAWING IS FOR SPATIAL CONSIDERATION ONLY, AND SUBJECT TO CHANGE W/O PREVIOUS NOTICE, DO NOT PRE-PLUMB TO THESE DIMENSIONS



NOTES:

- INLET:** 5" IPS
- OUTLET:** 5" IPS
- MAXIMUM PRESSURE:** 150PSI
- FLOW RANGE:** 476-750GPM
- PURGE:** 1.5" IPS

PREPARED BY:
KYLE MCCARTHY

*UNLESS OTHERWISE SPECIFIED - ALL DIMENSIONS ARE IN INCHES

PART NUMBER:
CS-5T-LPF

DATE:
7/23/2020



General Water Systems | P.O. Box 444 | Desert Hot Springs | CA | 92204
www.gwslp.com | info@gwslp.com | 951.213.9506 | 386.255.3909

CS-5T-LPF