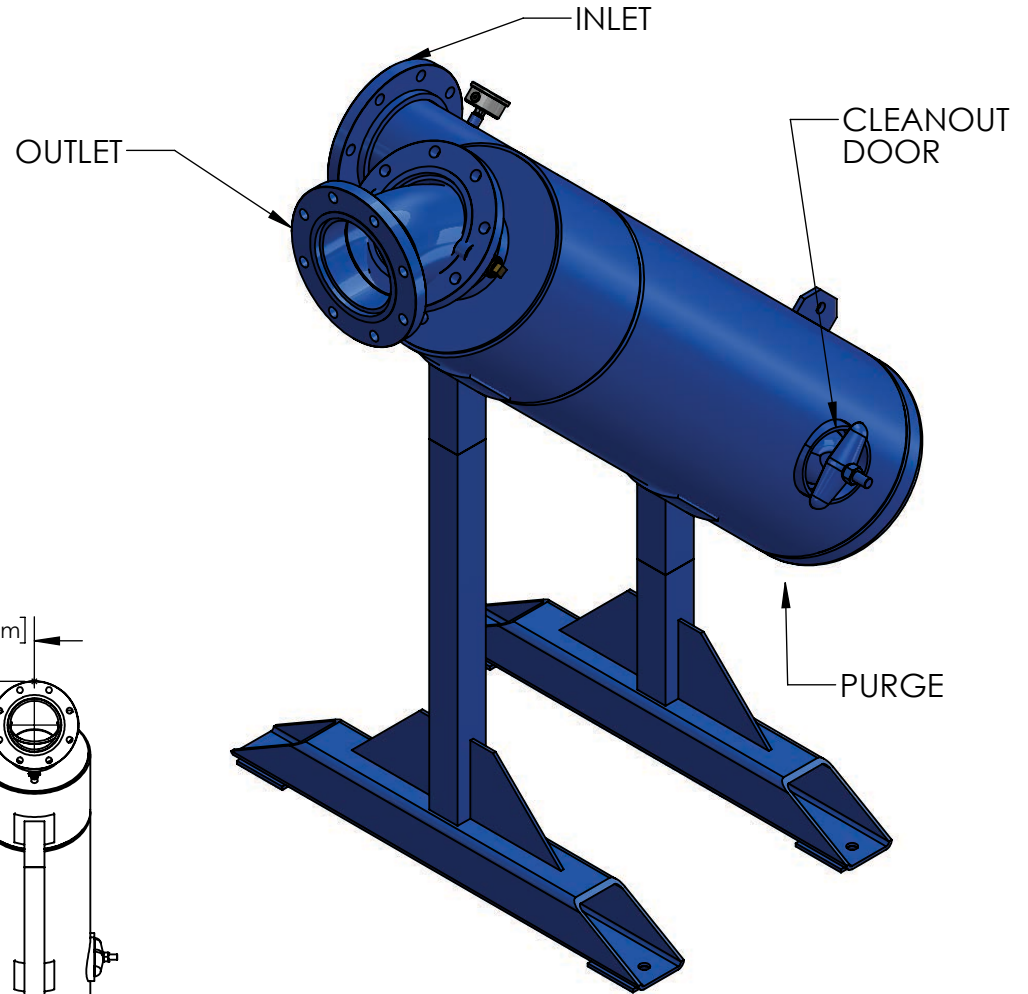
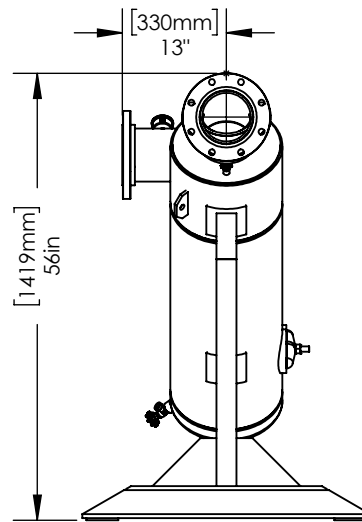
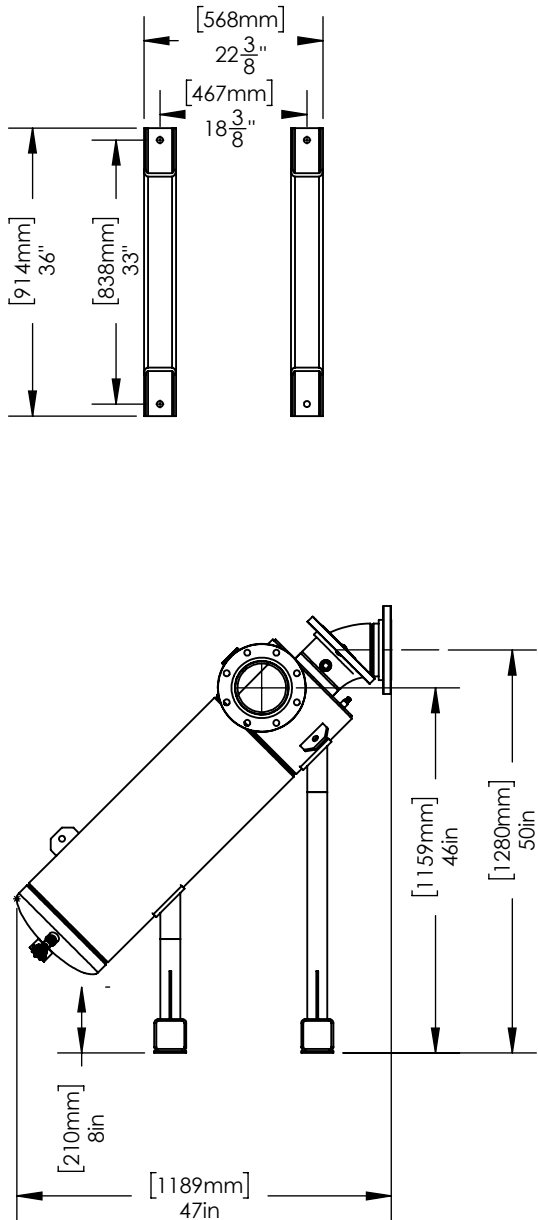


GENERAL WATER SYSTEMS

SEPARATOR

THIS DRAWING IS FOR SPATIAL CONSIDERATION ONLY, AND SUBJECT TO CHANGE W/O PREVIOUS NOTICE, DO NOT PRE-PLUMB TO THESE DIMENSIONS



NOTES:

1. **INLET:** 6" IPS
2. **OUTLET:** 6" IPS
3. **MAXIMUM PRESSURE:** 150PSI
4. **FLOW RANGE:** 751-1100GPM
5. **PURGE:** 1.5" IPS

PREPARED BY:
KYLE MCCARTHY

*UNLESS OTHERWISE SPECIFIED -
ALL DIMENSIONS ARE IN INCHES

PART NUMBER:

DATE:

CS-6T-LPF

7/23/2020



General Water Systems | P.O Box 444 | Desert Hot Springs | CA | 92204
www.gwslp.com | info@gwslp.com | 951.213.9506 | 386.255.3909

CS-6T-LPF