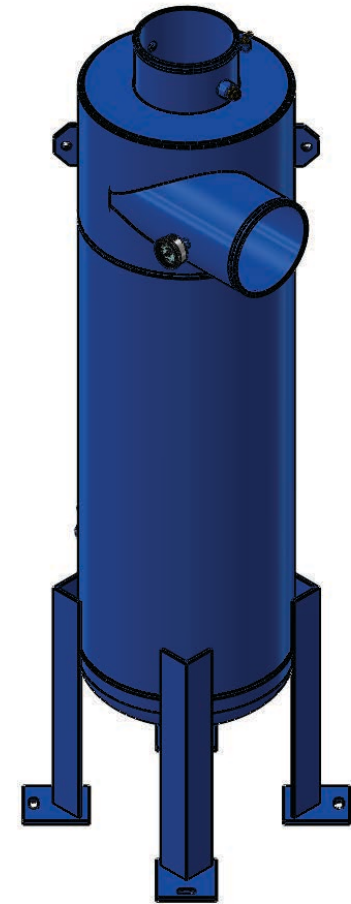
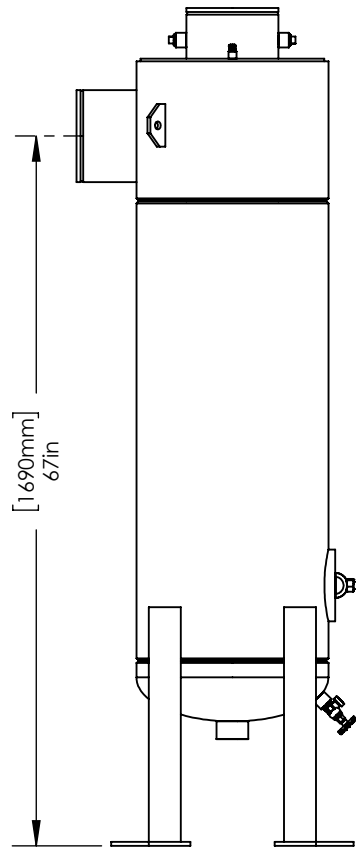
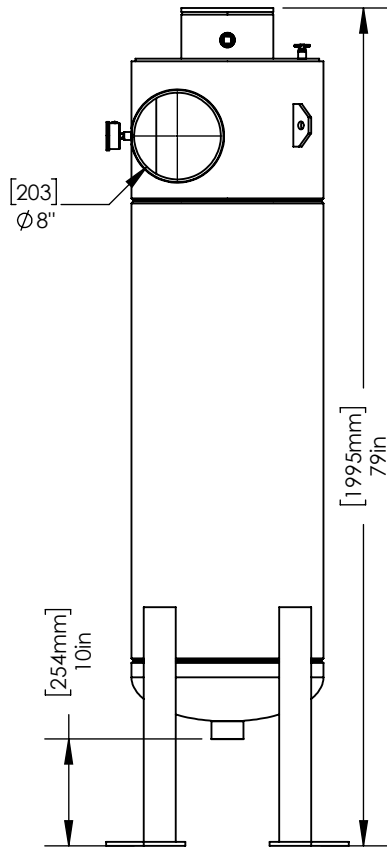
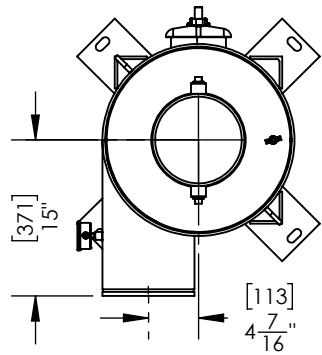


GENERAL WATER SYSTEMS

SEPARATOR

THIS DRAWING IS FOR SPATIAL CONSIDERATION ONLY, AND SUBJECT TO CHANGE W/O PREVIOUS NOTICE, DO NOT PRE-PLUMB TO THESE DIMENSIONS



NOTES:

1. **INLET:** 8" GE
2. **OUTLET:** 8" GE
3. **MAXIMUM PRESSURE:** 150PSI
4. **FLOW RANGE:** 1101-1870GPM
5. **PURGE:** 2" IPS

PREPARED BY:
KYLE MCCARTHY

*UNLESS OTHERWISE SPECIFIED - ALL DIMENSIONS ARE IN INCHES



General Water Systems | P.O. Box 444 | Desert Hot Springs | CA | 92204
www.gwslp.com | info@gwslp.com | 951.213.9506 | 386.255.3909

PART NUMBER:
PD CS-8T-GE

DATE:
9/17/2020

CS-8T-GE