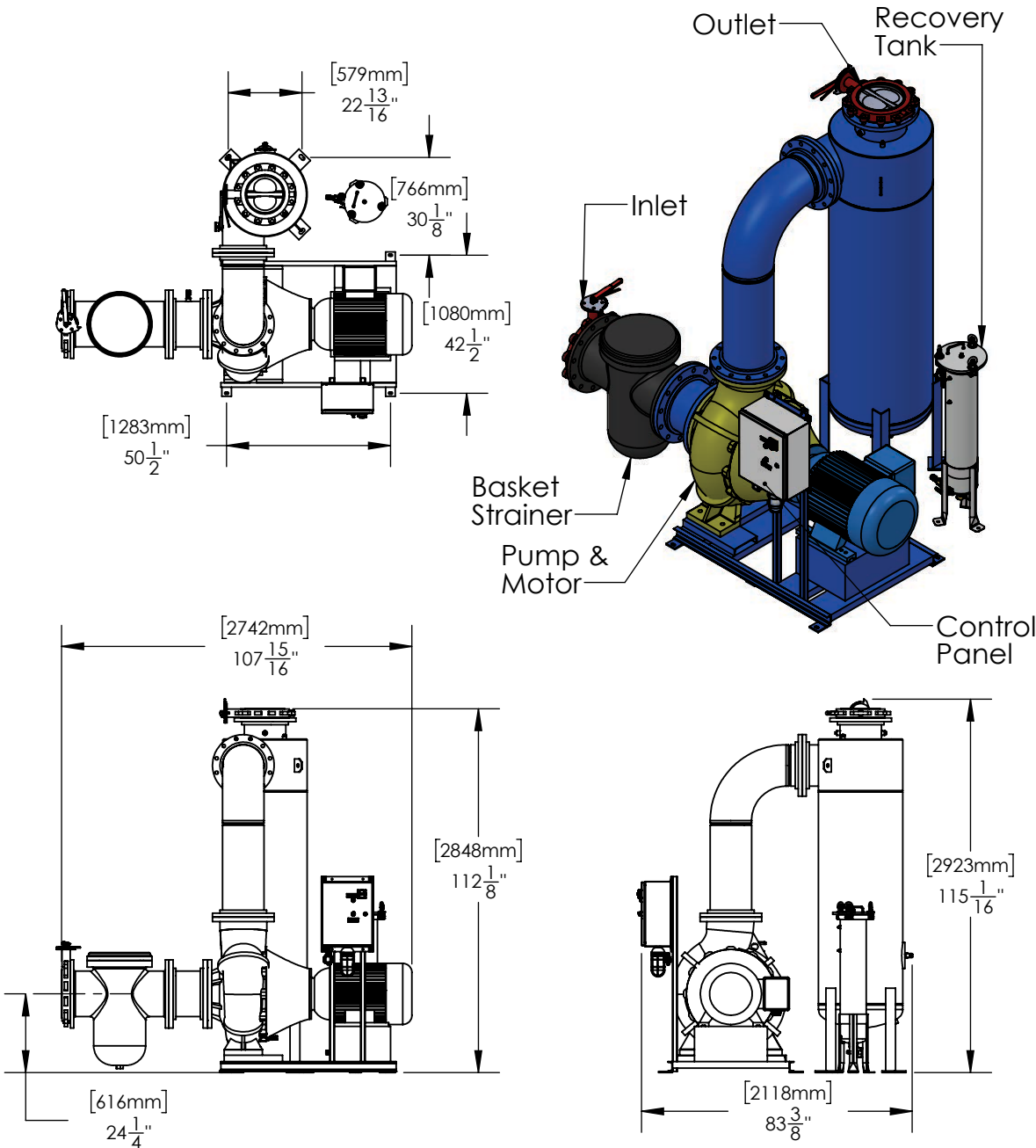


**THIS DRAWING IS FOR SPATIAL CONSIDERATION ONLY, AND SUBJECT TO CHANGE W/O PREVIOUS NOTICE, DO NOT PRE-PLUMB TO THESE DIMENSIONS**



### CSR1201-LH

Operating Point	4200 GPM (US) @ 40' TDH		
Separator - Size & Style	CS-12T-FLG, Carbon Steel, Powder Coated		
Frame Construction	Carbon Steel (Welded), Powder Coated		
Pipe Assy - Construction	Carbon Steel (Welded), Powder Coated		

#### ELECTRICAL - Motor & System

Horsepower (HP)	60		
Power - Volts / Hz	460/60	575/60	230/60
RPM	875	875	875
Motor Amperage	77	62	154
System Total Amperage	79	64	156

#### PUMP

Installation	Flooded Suction Required
Case Material	Cast Iron
Impeller Material	304
Mechanical Seal	EPDM - Carbon / Ceramic

#### BASKET STRAINER (Optional)

Body Construction	Cast Iron
Strainer Mesh	Stainless Steel with 1/4" perforations
Connection - Type & Size	14" FLG (150#)

#### CONTROL PANEL (UL Listed & Labeled. Manufactured to UL 508A)

Enclosure (UL listed & CSA approved)	NEMA 4 (STD) - Carbon Steel, Powder Coated NEMA 4X (Optional) - 304
Electrical Components (UL listed & CSA approved)	Thermal Overload Starter, HOA, XFMR, "RUN" Light, Door Disconnect, Contactor

#### PROCESS INLET

Connection - Type & Size	14" FLG (150#) - Butterfly Valve
--------------------------	----------------------------------

#### PROCESS OUTLET

Connection - Type & Size	12" FLG (150#) - Butterfly Valve
--------------------------	----------------------------------

#### PURGE - RT (Recovery Tank)

RT Size	RT-1.5
RT Connection Type	RTM-20

#### PRESSURE - Maximum Operating

Pump Inlet	100 psi (6.9 bar)
Vessel	150 psi (10.3 bar)

#### TEMPERATURE - Maximum Operating

System	34°F - 122°F (1°C - 50°C)
--------	---------------------------

WEIGHTS	DRY	SHIPPING	OPERATING
lbs (kg)	5346 (2425)	5876 (2665)	7696 (3491)

\*UNLESS OTHERWISE SPECIFIED - ALL DIMENSIONS ARE IN INCHES

PREPARED BY: JASON WU

PAGE: 1

RELEASED BY: BOB KAZANJY

DATE:  
12/20/2018

REV:  
A



General Water Systems | P. O. Box 444 | Desert Hot Spring | CA | 92204  
www.gwslp.com | info@gwslp.com | 951.213.9506 | 386.255.3909

### CSR1201-LH