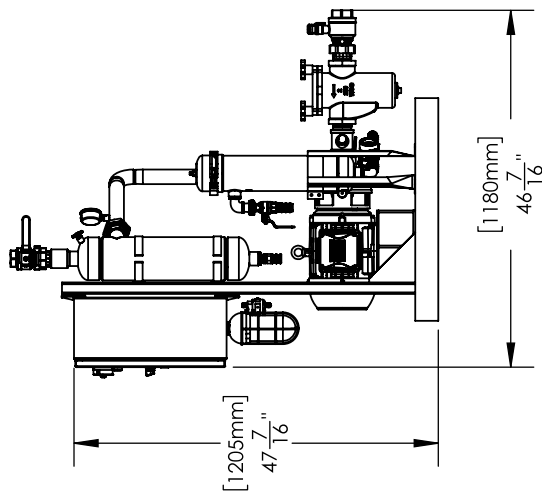
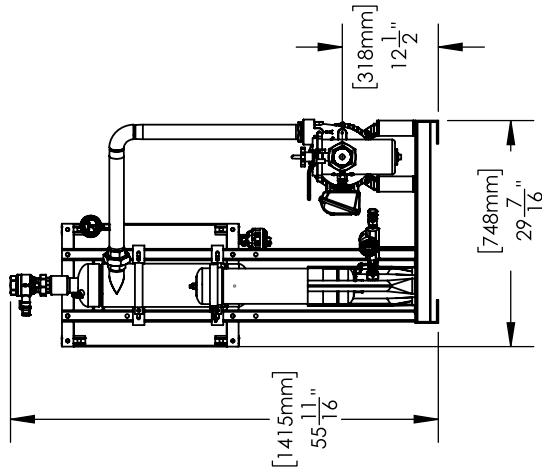
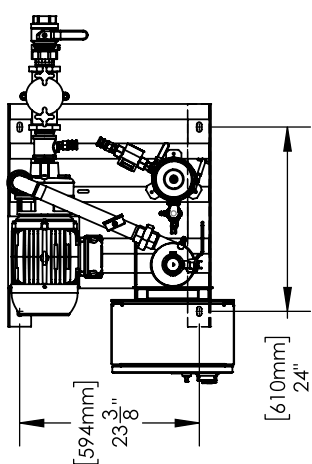
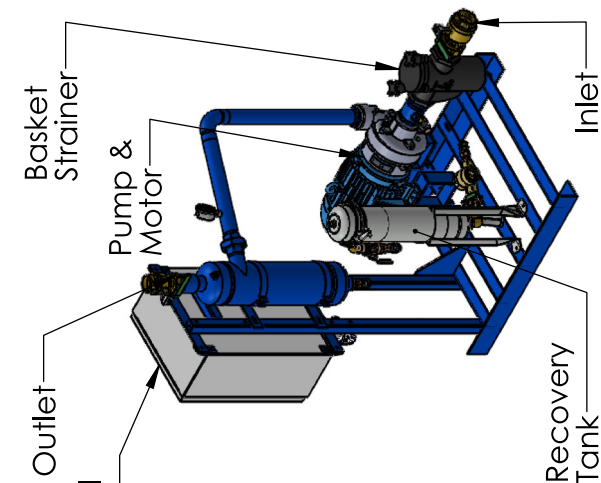


THIS DRAWING IS FOR SPATIAL CONSIDERATION ONLY, AND SUBJECT TO CHANGE W/O PREVIOUS NOTICE, DO NOT PRE-PLUMB TO THESE DIMENSIONS



**CSR151-HH**

Operating Point	75 GPM (US) @ 80' TDH	
Separator - Size & Style	CS-1.5T-THD, Carbon Steel, Powder Coated	
Frame Construction	Carbon Steel (Welded), Powder Coated	
Pipe Assy - Construction	Carbon Steel (Welded), Powder Coated	
<b>ELECTRICAL - Motor &amp; System</b>		
Horsepower (HP)	3	
Power - Volts / Hz	460/60	575/60 230/60 208/60
RPM	3500	3500 3500
Motor Amperage	4.8	3.9 9.6 10.5
System Total Amperage	6.8	5.9 11.6 12.5
<b>PUMP</b>		
Installation	Flooded Suction Required	
Case Material	Cast Iron	
Impeller Material	Cast Iron	
Mechanical Seal	Buna - Carbon / Ceramic	
<b>BASKET STRAINER (Optional)</b>		
Body Construction	Cast Iron	
Strainer Mesh	Stainless Steel with 1/4" perforations	
Connection - Type & Size	Female NPT 2"	
<b>CONTROL PANEL (UL Listed &amp; Labeled. Manufactured to UL 508A)</b>		
Enclosure (UL listed & CSA approved)	NEMA 4 (STD) - Carbon Steel, Powder Coated NEMA 4X (Optional) - 304	
Electrical Components (UL listed & CSA approved)	Thermal Overload Starter, HOA, XFMR, "RUN" Light, Door Disconnect, Contactor	
<b>PROCESS INLET</b>		
Connection - Type & Size	NPT 2" - Union Ball Valve	
<b>PROCESS OUTLET</b>		
Connection - Type & Size	NPT 1.5" - Union Ball Valve	
<b>PURGE - RT (Recovery Tank)</b>		
RT Size	RT-0.5	
RT Connection Type	RTM-10	
<b>PRESSURE - Maximum Operating</b>		
Pump Inlet	100 psi (6.9 bar)	
Vessel	150 psi (10.3 bar)	
<b>TEMPERATURE - Maximum Operating</b>		
System	34°F - 122°F (1°C - 50°C)	
<b>WEIGHTS</b>		
lbs (kg)	<b>DRY</b> 364(165)	<b>SHIPPING</b> 474(215) <b>OPERATING</b> 400(181)

PREPARED BY:	PEI-CHI (JASON) WU	PAGE:	1
RELEASED BY:	BOB KAZANJY	DATE:	12/21/2018
		REV:	A



General Water Systems | P.O. Box 444 | Desert Hot Spring | CA | 92204  
www.gws.com | info@gws.com | 951.213.9506 | 386.255.3969

\*UNLESS OTHERWISE SPECIFIED - ALL DIMENSIONS ARE IN INCHES

**CSR151-HH**