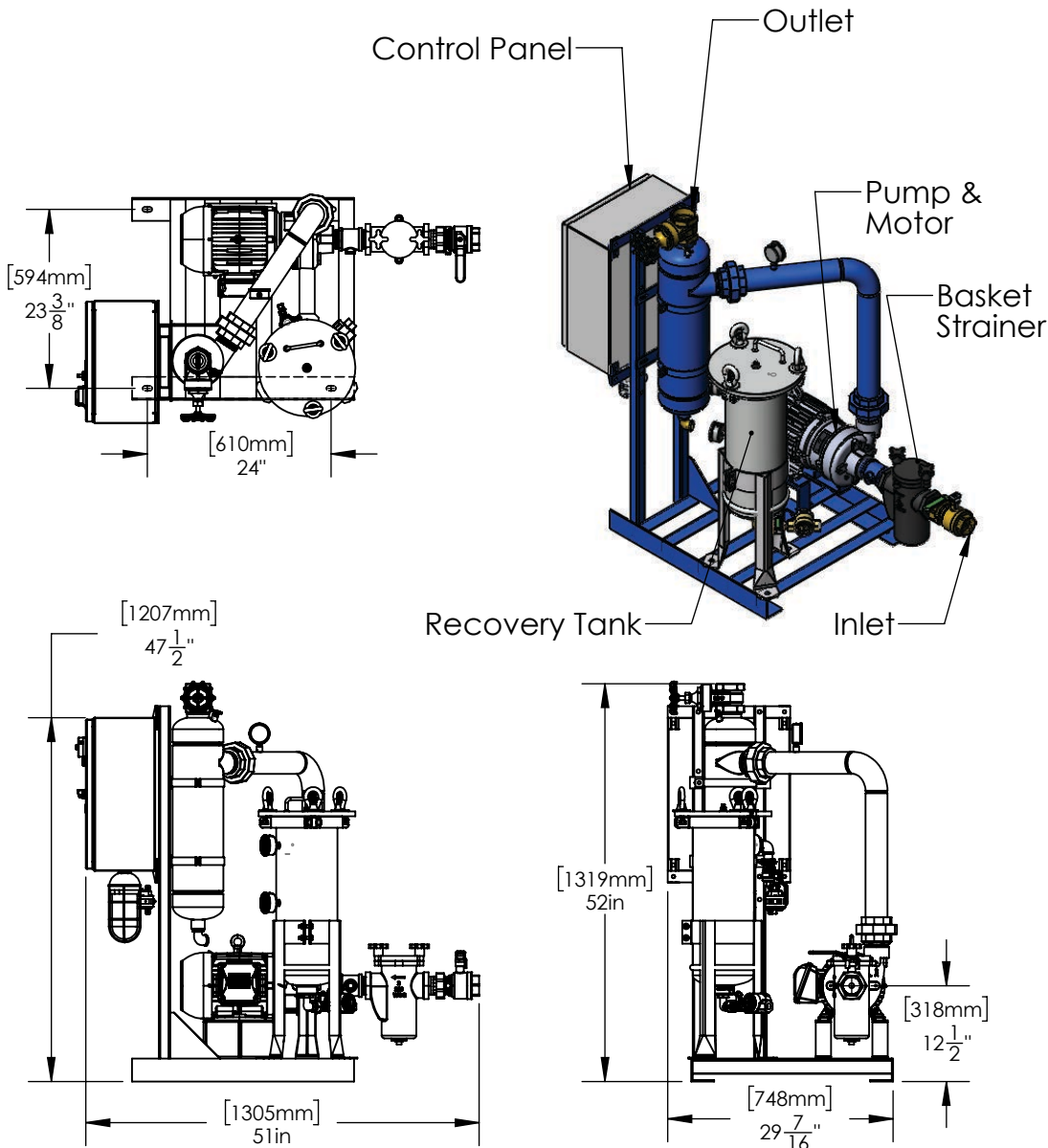


THIS DRAWING IS FOR SPATIAL CONSIDERATION ONLY, AND SUBJECT TO CHANGE W/O PREVIOUS NOTICE, DO NOT PRE-PLUMB TO THESE DIMENSIONS



CSR251-HH

Operating Point	180 GPM (US) @ 80' TDH			
Separator - Size & Style	CS-2.5T-THD, Carbon Steel, Powder Coated			
Frame Construction	Carbon Steel (Welded), Powder Coated			
Pipe Assy - Construction	Carbon Steel (Welded), Powder Coated			

ELECTRICAL - Motor & System

Horsepower (HP)	7.5			
Power - Volts / Hz	460/60	575/60	230/60	208/60
RPM	3500	3500	3500	3500
Motor Amperage	11	9	22	24.2
System Total Amperage	13	11	24	26.2

PUMP

Installation	Flooded Suction Required
Case Material	Cast Iron
Impeller Material	Cast Iron
Mechanical Seal	Buna - Carbon / Ceramic

BASKET STRAINER (Optional)

Body Construction	Cast Iron
Strainer Mesh	Stainless Steel with 1/4" perforations
Connection - Type & Size	Female NPT 2"

CONTROL PANEL (UL Listed & Labeled. Manufactured to UL 508A)

Enclosure (UL listed & CSA approved)	NEMA 4 (STD) - Carbon Steel, Powder Coated NEMA 4X (Optional) - 304
Electrical Components (UL listed & CSA approved)	Thermal Overload Starter, HOA, XFMR, "RUN" Light, Door Disconnect, Contactor

PROCESS INLET

Connection - Type & Size	NPT 2" - Union Ball Valve
--------------------------	---------------------------

PROCESS OUTLET

Connection - Type & Size	NPT 2.5" - Gate Valve
--------------------------	-----------------------

PURGE - RT (Recovery Tank)

RT Size	RT-1
RT Connection Type	RTM-10

PRESSURE - Maximum Operating

Pump Inlet	100 psi (6.9 bar)
Vessel	150 psi (10.3 bar)

TEMPERATURE - Maximum Operating

System	34°F - 122°F (1°C - 50°C)
--------	---------------------------

WEIGHTS	DRY	SHIPPING	OPERATING
lbs (kg)	446 (202)	556 (252)	528 (240)

*UNLESS OTHERWISE SPECIFIED - ALL DIMENSIONS ARE IN INCHES

PREPARED BY: VINH QUAN TRAN	PAGE: 1
RELEASED BY: BOB KAZANJY	DATE: 12/19/2018
	REV: A



General Water Systems | P. O. Box 444 | Desert Hot Spring | CA | 92204
www.gwslp.com | info@gwslp.com | 951.213.9506 | 386.255.3909

CSR251-HH