

**THIS DRAWING IS FOR SPATIAL CONSIDERATION ONLY, AND SUBJECT TO CHANGE W/O PREVIOUS NOTICE, DO NOT PRE-PLUMB TO THESE DIMENSIONS**

**CSR501-LH**

Operating Point	750 GPM (US) @ 40' TDH			
Separator - Size & Style	CS-5T-FLG, Carbon Steel, Powder Coated			
Frame Construction	Carbon Steel (Welded), Powder Coated			
Pipe Assy - Construction	Carbon Steel (Welded), Powder Coated			

**ELECTRICAL - Motor & System**

Horsepower (HP)	10			
Power - Volts / Hz	460/60	575/60	230/60	208/60
RPM	1750	1750	1750	1750
Motor Amperage	14	11	28	30.8
System Total Amperage	16	13	30	32.8

**PUMP**

Installation	Flooded Suction Required
Case Material	Cast Iron
Impeller Material	304
Mechanical Seal	EPDM - Carbon / Ceramic

**BASKET STRAINER (Optional)**

Body Construction	Cast Iron
Strainer Mesh	Stainless Steel with 1/4" perforations
Connection - Type & Size	5" FLG (150#)

**CONTROL PANEL (UL Listed & Labeled. Manufactured to UL 508A)**

Enclosure (UL listed & CSA approved)	NEMA 4 (STD) - Carbon Steel, Powder Coated NEMA 4X (Optional) - 304
Electrical Components (UL listed & CSA approved)	Thermal Overload Starter, HOA, XFMR, "RUN" Light, Door Disconnect, Contactor

**PROCESS INLET**

Connection - Type & Size	5" FLG (150#) - Butterfly Valve
--------------------------	---------------------------------

**PROCESS OUTLET**

Connection - Type & Size	5" FLG (150#) - Butterfly Valve
--------------------------	---------------------------------

**PURGE - RT (Recovery Tank)**

RT Size	RT-1
RT Connection Type	RTM-10

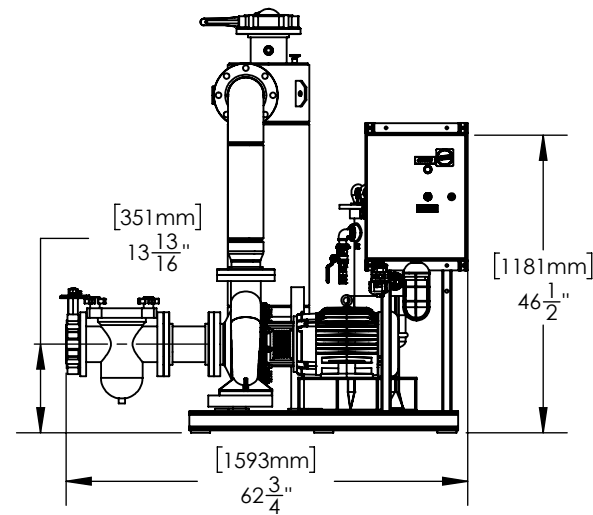
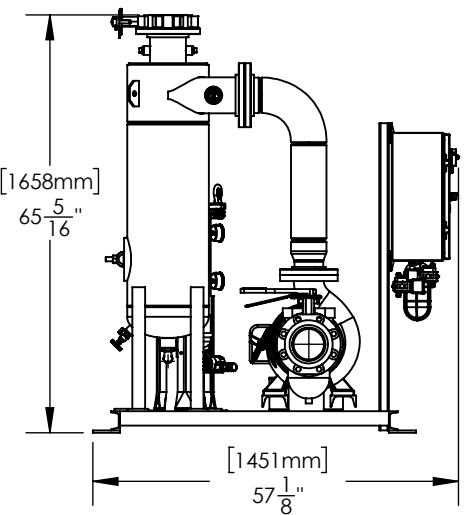
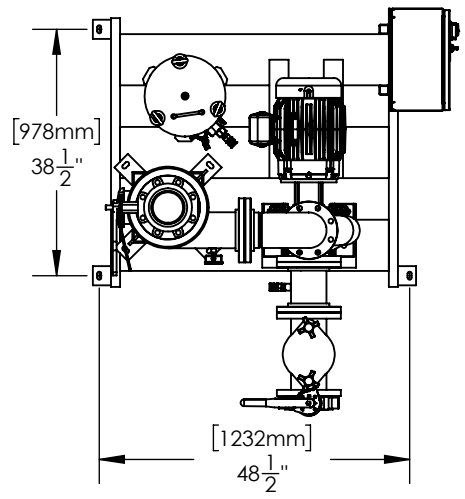
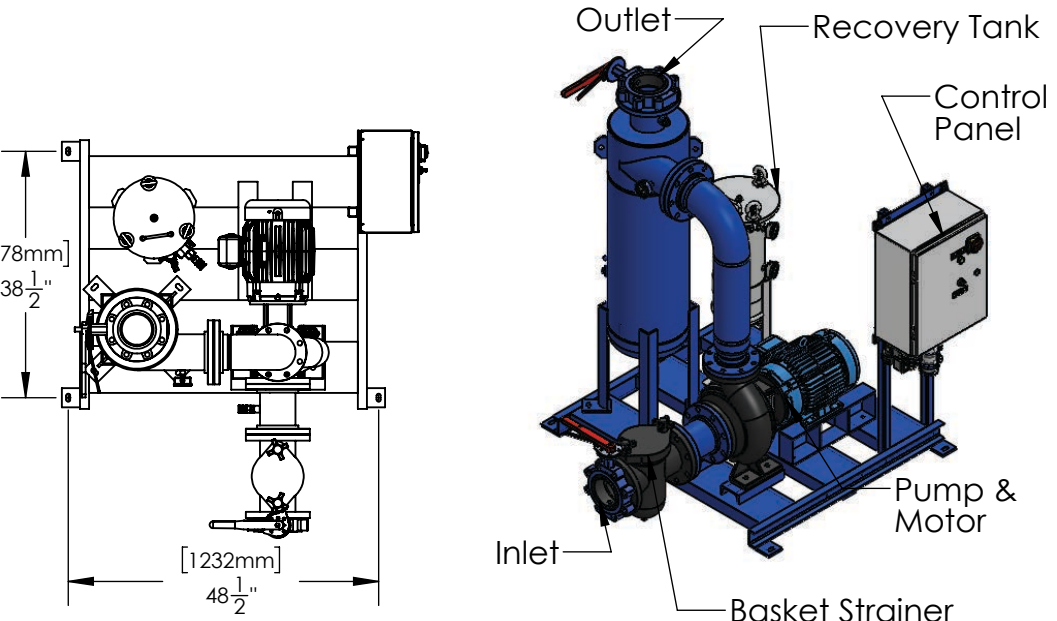
**PRESSURE - Maximum Operating**

Pump Inlet	100 psi (6.9 bar)
Vessel	150 psi (10.3 bar)

**TEMPERATURE - Maximum Operating**

System	34°F - 122°F (1°C - 50°C)
--------	---------------------------

WEIGHTS	DRY	SHIPPING	OPERATING
lbs (kg)	1270 (576)	1458 (661)	1583 (718)



\*UNLESS OTHERWISE SPECIFIED - ALL DIMENSIONS ARE IN INCHES

PREPARED BY: VINH  
 PAGE: 1  
 RELEASED BY: BOB KAZANJY  
 DATE: 12/20/2018  
 REV: A

