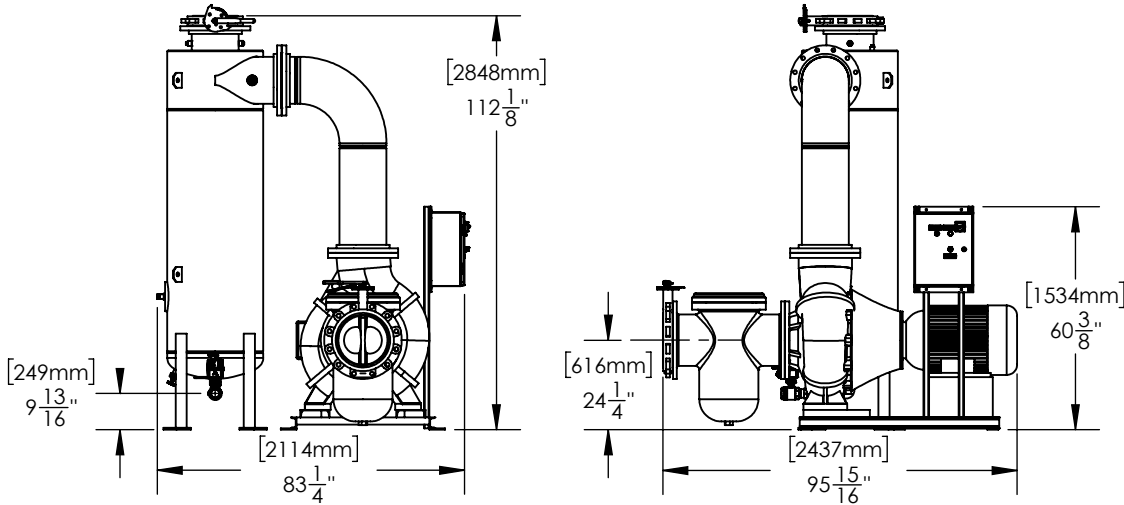
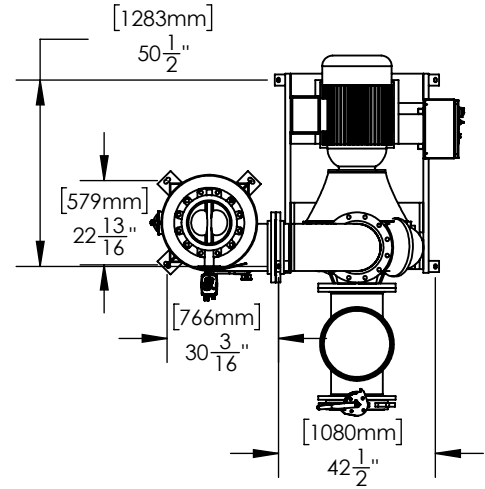
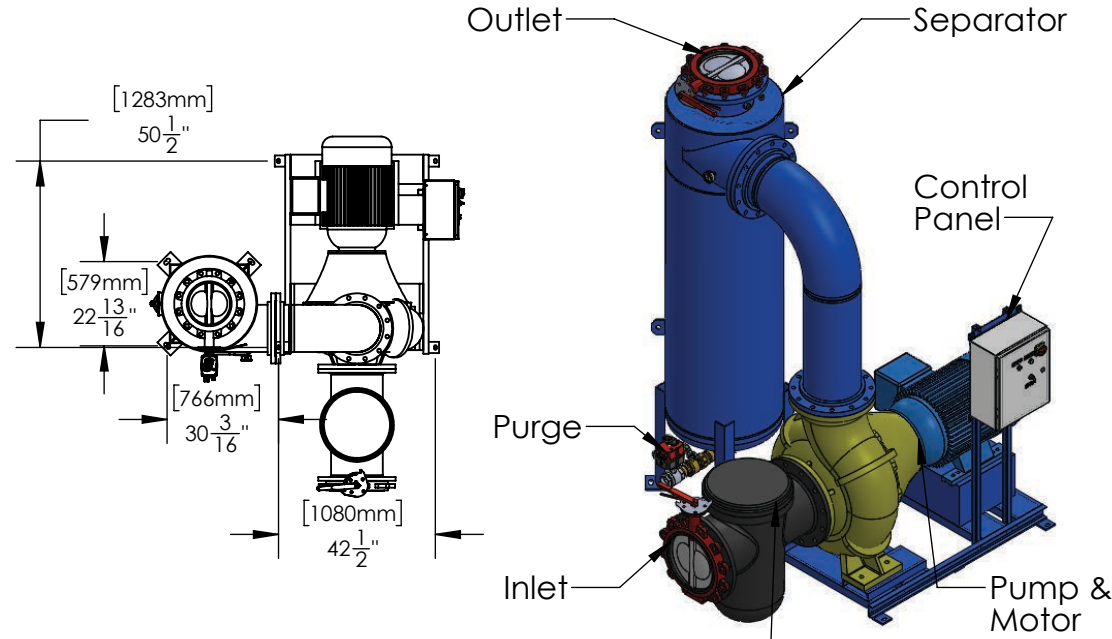


THIS DRAWING IS FOR SPATIAL CONSIDERATION ONLY, AND SUBJECT TO CHANGE W/O PREVIOUS NOTICE, DO NOT PRE-PLUMB TO THESE DIMENSIONS



CSS1201-HH			
Operating Point	4200 GPM (US) @ 80' TDH		
Separator - Size & Style	CS-12T-FLG, Carbon Steel, Powder Coated		
Frame Construction	Carbon Steel (Welded), Powder Coated		
Pipe Assy - Construction	Carbon Steel (Welded), Powder Coated		
ELECTRICAL - Motor & System			
Horsepower (HP)	125		
Power - Volts / Hz	460/60	575/60	230/60
RPM	1165	1165	1165
Motor Amperage	156	125	312
System Total Amperage	158	127	314
PUMP			
Installation	Flooded Suction Required		
Case Material	Cast Iron		
Impeller Material	304		
Mechanical Seal	EPDM - Carbon / Ceramic		
BASKET STRAINER (Optional)			
Body Construction	Cast Iron		
Strainer Mesh	Stainless Steel 1/4" perforations		
Connection - Type & Size	14" FLG (150#)		
CONTROL PANEL (UL Listed & Labeled. Manufactured to UL 508A)			
Enclosure (UL listed & CSA approved)	NEMA 4 (STD) - Carbon Steel, Powder Coated NEMA 4X (Optional) - 304		
Electrical Components (UL listed & CSA approved)	Thermal Overload Starter, HOA, XFMR, "RUN" Light, Door Disconnect, Contactor, Purge Timer		
PROCESS INLET			
Connection - Type & Size	14" FLG (150#) - Butterfly Valve		
PROCESS OUTLET			
Connection - Type & Size	12" FLG (150#) - Butterfly Valve		
PURGE - MBV (Motorized Ball Valve)			
Actuator Motor	24-240V AC/DC		
Connection Type	Female NPT 2"		
PRESSURE - Maximum Operating			
Pump Inlet	100 psi (6.9 bar)		
Vessel	150 psi (10.3 bar)		
TEMPERATURE - Maximum Operating			
System	34°F - 122°F (1°C - 50°C)		
WEIGHTS			
	DRY	SHIPPING	OPERATING
lbs (kg)	5320(2413)	5850(2654)	7531(3416)

PREPARED BY: VINH

PAGE: 1

RELEASED BY: BOB KAZANJY

DATE: 12/19/2018

REV: A



General Water Systems | P.O. Box 444 | Desert Hot Spring | CA | 92204
www.gwslp.com | info@gwslp.com | 951.213.9506 | 386.255.3909

*UNLESS OTHERWISE SPECIFIED - ALL DIMENSIONS ARE IN INCHES

CSS1201-HH