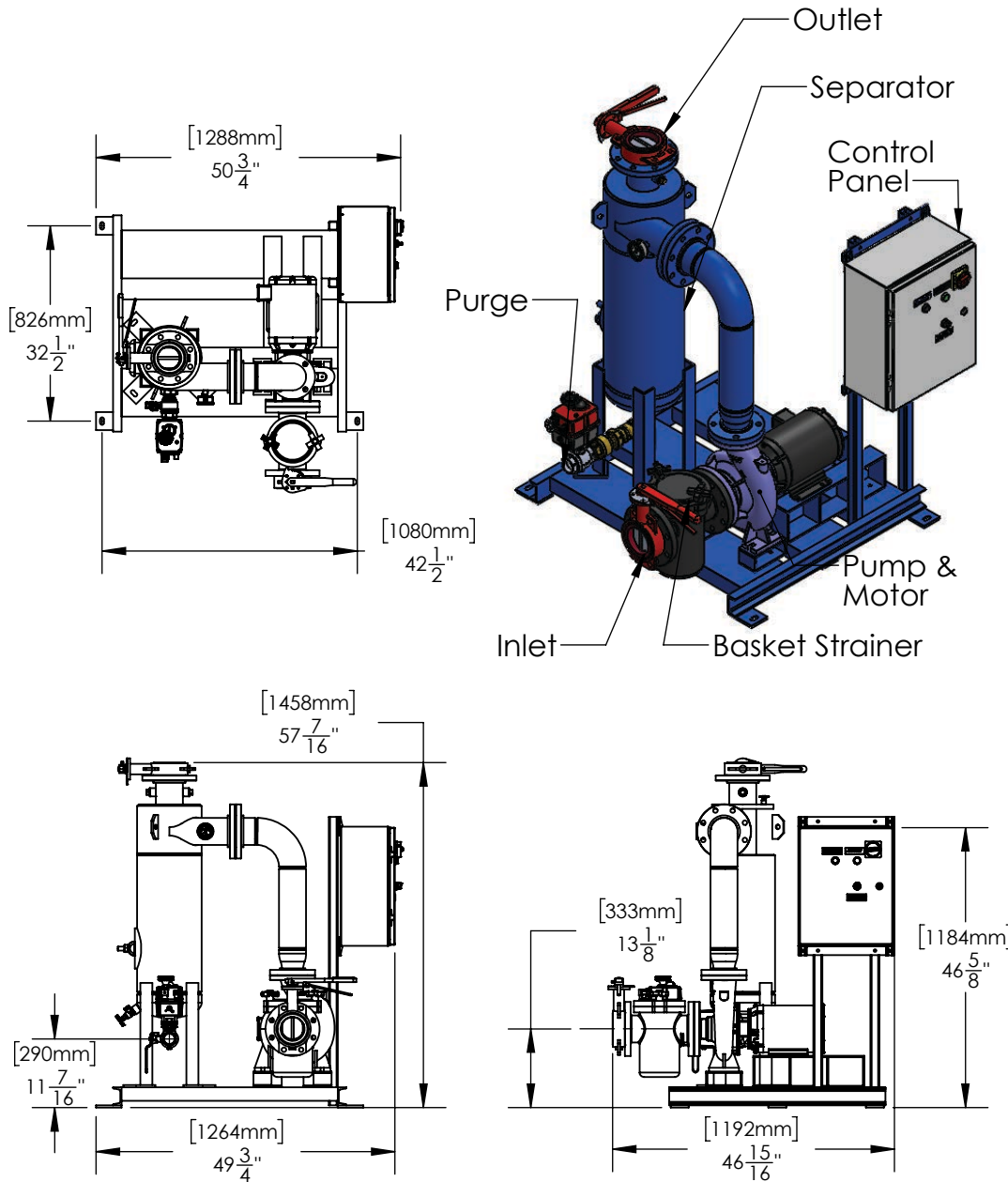


THIS DRAWING IS FOR SPATIAL CONSIDERATION ONLY, AND SUBJECT TO CHANGE W/O PREVIOUS NOTICE, DO NOT PRE-PLUMB TO THESE DIMENSIONS



CSS400-LH

Operating Point	340 GPM(US) @ 40' TDH		
Separator - Size & Style	CS-4T-FLG, Carbon Steel, Powder Coated		
Frame Construction	Carbon Steel (Welded), Powder Coated		
Pipe Assy - Construction	Carbon Steel (Welded), Powder Coated		

ELECTRICAL - Motor & System				
Horsepower (HP)	5			
Power - Volts / Hz	460/60	575/60	230/60	208/60
RPM	1750	1750	1750	1750
Motor Amperage	7.6	6.1	15.2	16.7
System Total Amperage	9.6	8.1	17.2	18.7

PUMP	
Installation	Flooded Suction Required
Case Material	Cast Iron
Impeller Material	Cast Iron
Mechanical Seal	Buna - Carbon / Ceramic

BASKET STRAINER (Optional)	
Body Construction	Cast Iron
Strainer Mesh	Stainless Steel with 1/4" perforations
Connection - Type & Size	4" FLG (150#)

CONTROL PANEL (UL Listed & Labeled. Manufactured to UL 508A)	
Enclosure (UL listed & CSA approved)	NEMA 4 (STD) - Carbon Steel, Powder Coated NEMA 4X (Optional) - 304
Electrical Components (UL listed & CSA approved)	Thermal Overload Starter, HOA, XFMR, "RUN" Light, Door Disconnect, Contactor, Purge Timer

PROCESS INLET	
Connection - Type & Size	4" FLG (150#) - Butterfly Valve

PROCESS OUTLET	
Connection - Type & Size	4" FLG (150#) - Butterfly Valve

PURGE - MBV (Motorized Ball Valve)	
Actuator Motor	24-240V AC/DC
Connection Type	Female NPT 1.5"

PRESSURE - Maximum Operating	
Pump Inlet	100 psi (6.9 bar)
Vessel	150 psi (10.3 bar)

TEMPERATURE - Maximum Operating	
System	34°F - 122°F (1°C - 50°C)

WEIGHTS	DRY	SHIPPING	OPERATING
lbs (kg)	912 (414)	1100 (499)	1071 (486)

*UNLESS OTHERWISE SPECIFIED - ALL DIMENSIONS ARE IN INCHES

CSS400-LH

PREPARED BY:	VINH	PAGE:	1
RELEASED BY:	BOB KAZANJY	DATE:	01/02/2019
		REV:	A



General Water Systems | P. O. Box 444 | Desert Hot Spring | CA | 92204
www.gwslp.com | info@gwslp.com | 951.213.9506 | 386.255.3909