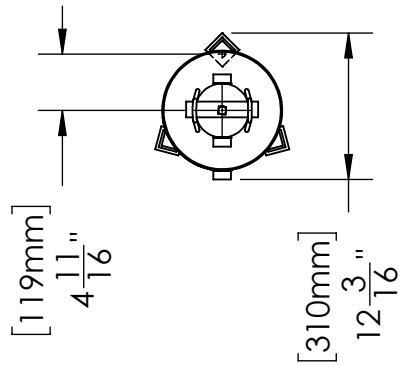


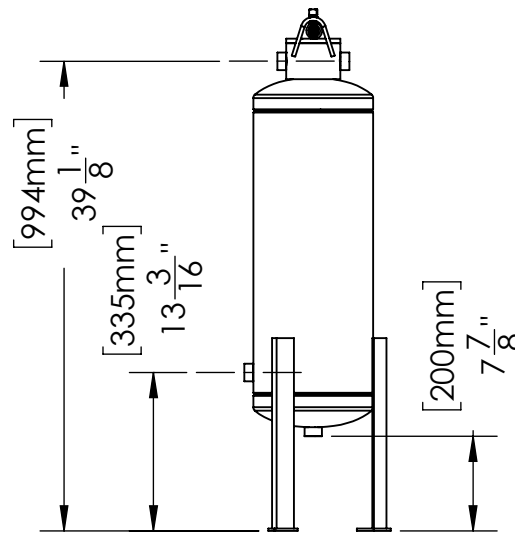
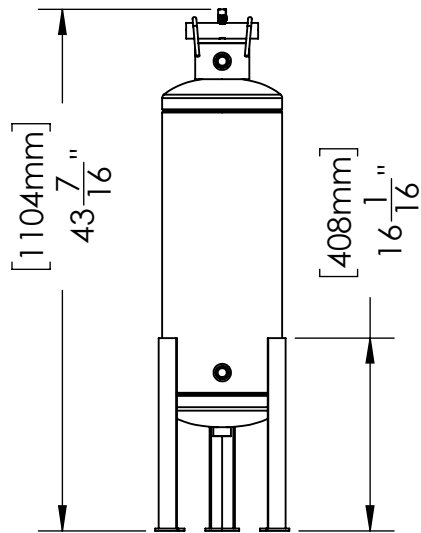
POT FEEDER

GENERAL WATER SYSTEMS

THIS DRAWING IS FOR SPATIAL CONSIDERATION ONLY, AND SUBJECT TO CHANGE W/O PREVIOUS NOTICE, DO NOT PRE-PLUMB TO THESE DIMENSIONS



DB-10-SB-CS-Z			
Operating Point	More than 5000 Gallon System Volume		
Pot Feeder - Size & Style	Dome Bottom 10 Gallon Safety Bar		
Construction	Carbon Steel (Welded)		
PROCESS INLET			
Connection - Type & Size	NPT 3/4"		
PROCESS OUTLET			
Connection - Type & Size	NPT 3/4"		
PRESSURE - Maximum Operating			
Vessel	380 psi (26.2 bar)		
TEMPERATURE - Maximum Operating			
System	34°F - 250°F (1°C - 121°C)		
WEIGHTS	DRY	SHIPPING	OPERATING
lbs (kg)	68	70	174



PREPARED BY:
HECTOR J. GUZMAN

REV
A

RELEASED BY:
TIM BOYLEN

DATE:
9/18/2023



General Water Systems | P.O Box 444 | Desert Hot Springs |CA | 92204
www.gwslp.com | info@gwslp.com | 951.213.9506 | 386.255.3909

*UNLESS OTHERWISE SPECIFIED - ALL DIMENSIONS ARE IN INCHES

DB-10-SB-CS-Z