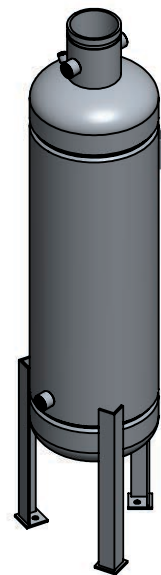
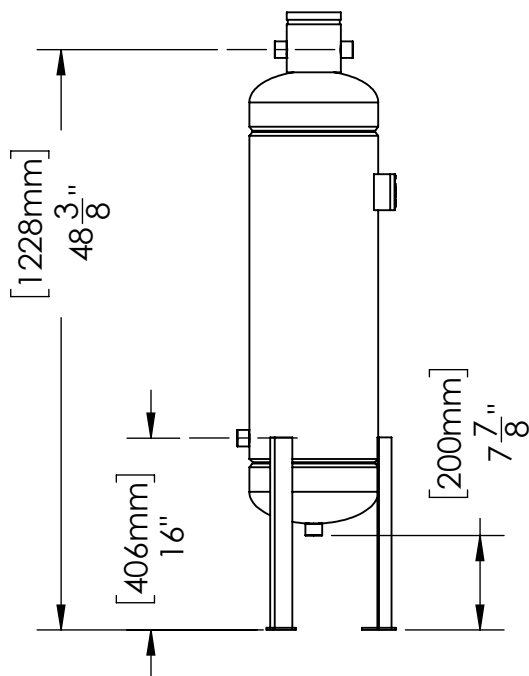
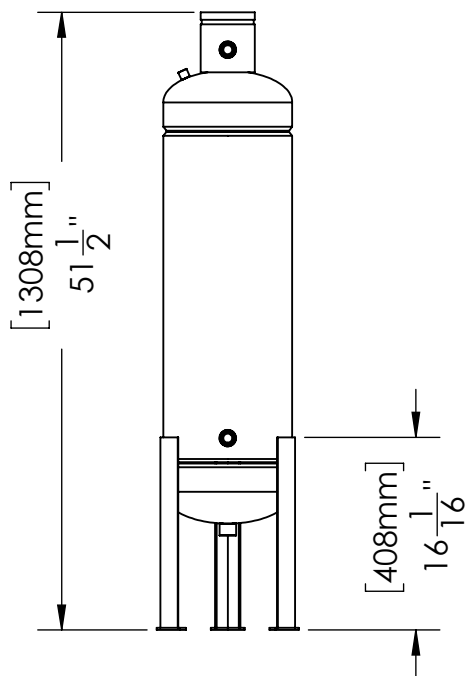
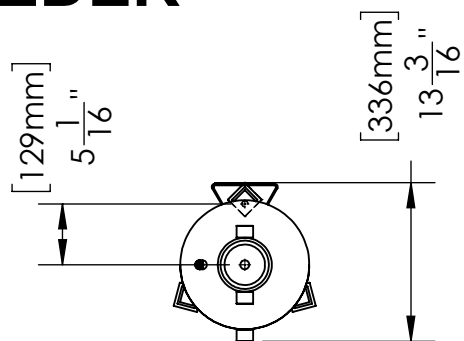


POT FEEDER

GENERAL WATER SYSTEMS

THIS DRAWING IS FOR SPATIAL CONSIDERATION ONLY, AND SUBJECT TO CHANGE W/O PREVIOUS NOTICE, DO NOT PRE-PLUMB TO THESE DIMENSIONS



DB-12-GE-316-A

Operating Point	More than 5000 Gallon System Volume		
Pot Feeder - Size & Style	Dome Bottom 12 Gallon Grooved End		
Construction	316 Stainless Steel (Welded)		
PROCESS INLET			
Connection - Type & Size	NPT 3/4"		
PROCESS OUTLET			
Connection - Type & Size	NPT 3/4"		
PRESSURE - Maximum Operating			
Vessel	600 psi (41.4 bar)		
TEMPERATURE - Maximum Operating			
System	34°F - 250°F (1°C - 121°C)		
WEIGHTS	DRY	SHIPPING	OPERATING
lbs (kg)	67	69	163

PREPARED BY:
HECTOR J. GUZMAN

REV

A

RELEASED BY:
TIM BOYLEN

DATE:
1/23/2024



General Water Systems | 1525 East 6th Street | CA | 92879
www.gwslp.com | info@gwslp.com | 951.278.8992

*UNLESS OTHERWISE SPECIFIED - ALL DIMENSIONS ARE IN INCHES

DB-12-GE-316-A