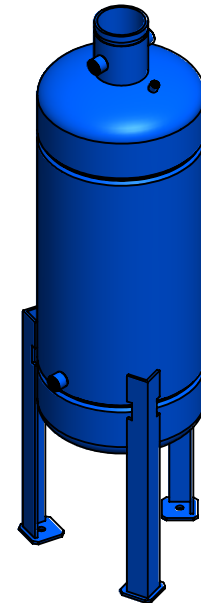
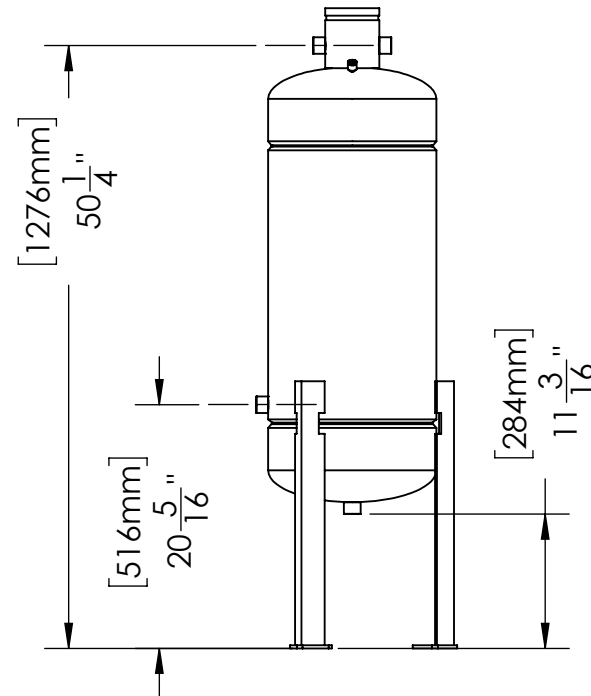
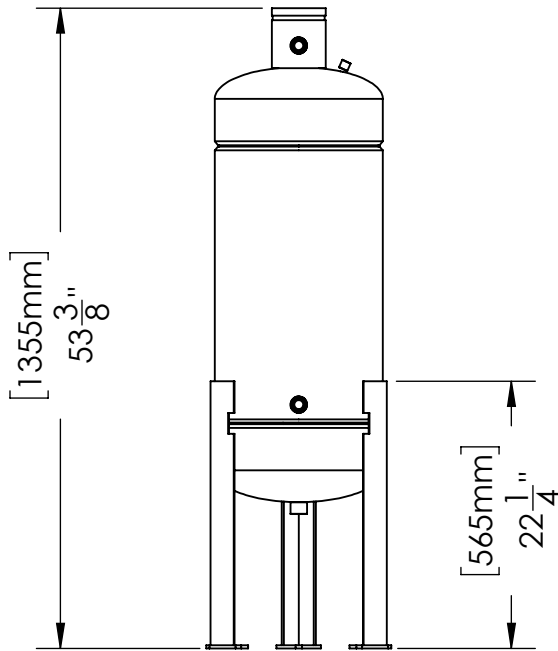
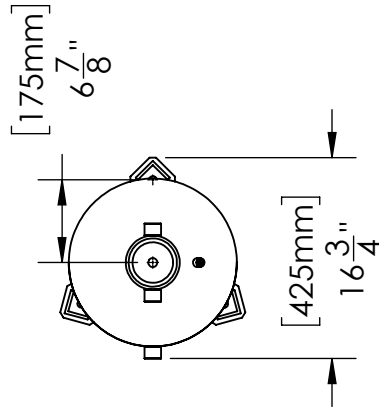


POT FEEDER

GENERAL WATER SYSTEMS

THIS DRAWING IS FOR SPATIAL CONSIDERATION ONLY, AND SUBJECT TO CHANGE W/O PREVIOUS NOTICE, DO NOT PRE-PLUMB TO THESE DIMENSIONS



DB-18-GE-CS-Z

Operating Point	More than 6000 Gallon System Volume		
Pot Feeder - Size & Style	Dome Bottom 18 Gallon Grooved End		
Construction	Carbon Steel (Welded)		
PROCESS INLET			
Connection - Type & Size	NPT 3/4"		
PROCESS OUTLET			
Connection - Type & Size	NPT 3/4"		
PRESSURE - Maximum Operating			
Vessel	150 psi (10.3 bar)		
TEMPERATURE - Maximum Operating			
System	34°F - 122°F (1°C - 50°C)		
WEIGHTS	DRY	SHIPPING	OPERATING
lbs (kg)	TBD	TBD	TBD

PREPARED BY: HECTOR J. GUZMAN	REV	A
RELEASED BY: TIM BOYLEN	DATE: 10/24/2020	



General Water Systems | P.O. Box 444 | Desert Hot Springs | CA | 92204
www.gwslp.com | info@gwslp.com | 951.213.9506 | 386.255.3909

*UNLESS OTHERWISE SPECIFIED - ALL DIMENSIONS ARE IN INCHES

DB-18-GE-CS-Z