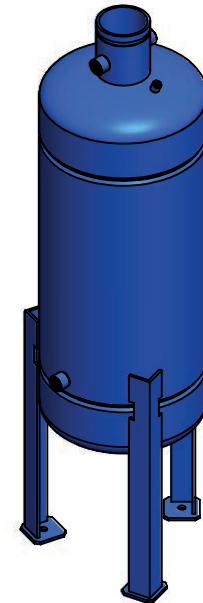
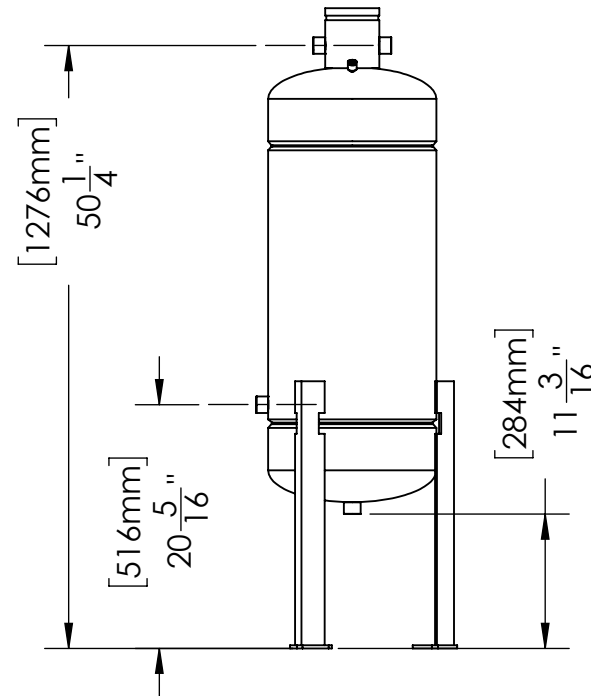
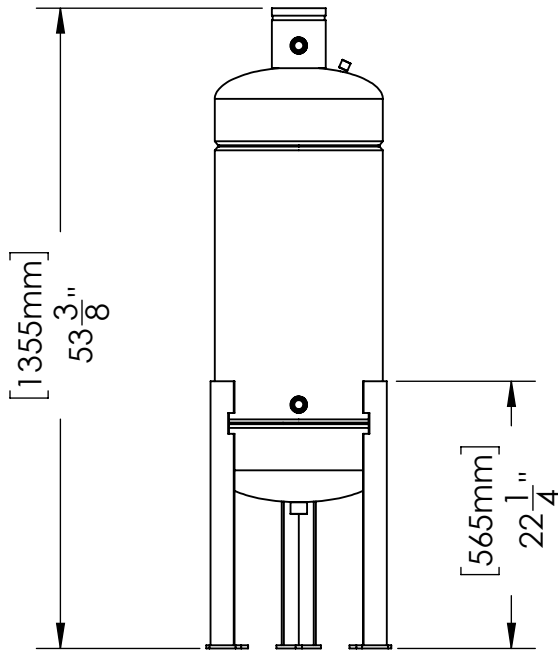
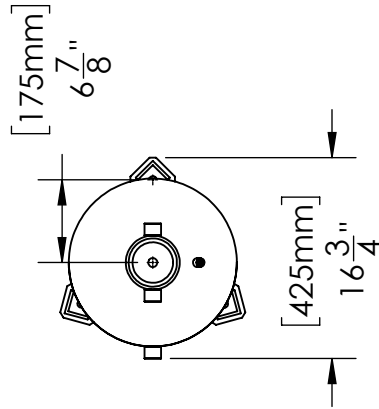


POT FEEDER

GENERAL WATER SYSTEMS

THIS DRAWING IS FOR SPATIAL CONSIDERATION ONLY, AND SUBJECT TO CHANGE W/O PREVIOUS NOTICE, DO NOT PRE-PLUMB TO THESE DIMENSIONS



DB-18-GE-CS-Z

Operating Point	More than 6000 Gallon System Volume		
Pot Feeder - Size & Style	Dome Bottom 18 Gallon Safety Bar		
Construction	Carbon Steel (Welded)		
PROCESS INLET			
Connection - Type & Size	NPT 3/4"		
PROCESS OUTLET			
Connection - Type & Size	NPT 3/4"		
PRESSURE - Maximum Operating			
Vessel	450 psi (31.0 bar)		
TEMPERATURE - Maximum Operating			
System	34°F - 250°F (1°C - 121°C)		
WEIGHTS	DRY	SHIPPING	OPERATING
lbs (kg)	272	274	368

PREPARED BY: HECTOR J. GUZMAN	REV	A
RELEASED BY: TIM BOYLEN	DATE: 1/23/2024	



General Water Systems | 1525 East 6th Street | CA | 92879
 www.gwslp.com | info@gwslp.com | 951.278.8992

*UNLESS OTHERWISE SPECIFIED - ALL DIMENSIONS ARE IN INCHES

DB-18-GE-CS-Z