

POT FEEDER

GENERAL WATER SYSTEMS

THIS DRAWING IS FOR SPATIAL CONSIDERATION ONLY, AND SUBJECT TO CHANGE W/O PREVIOUS NOTICE, DO NOT PRE-PLUMB TO THESE DIMENSIONS

DB-45-GE-CS-Z

Operating Point	More than 25,000 Gallon System Volume
Pot Feeder - Size & Style	Grooved Bottom 45 Gallon Safety Bar
Construction	Carbon Steel (Welded)

PROCESS INLET

Connection - Type & Size	NPT 3/4"
--------------------------	----------

PROCESS OUTLET

Connection - Type & Size	NPT 3/4"
--------------------------	----------

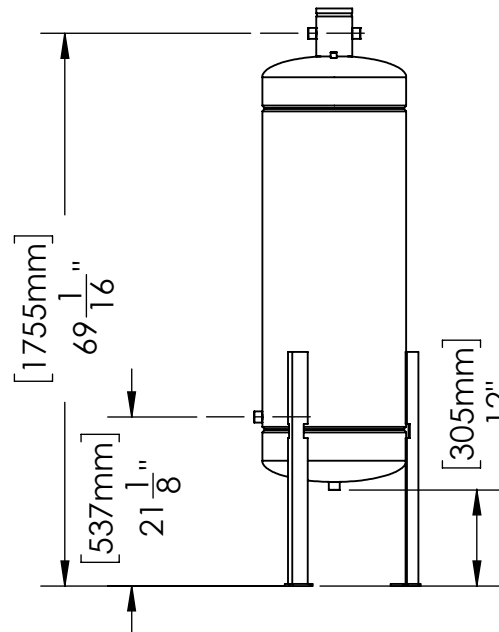
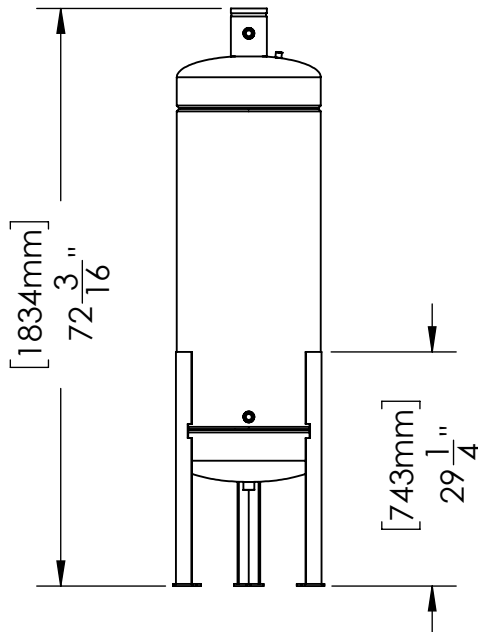
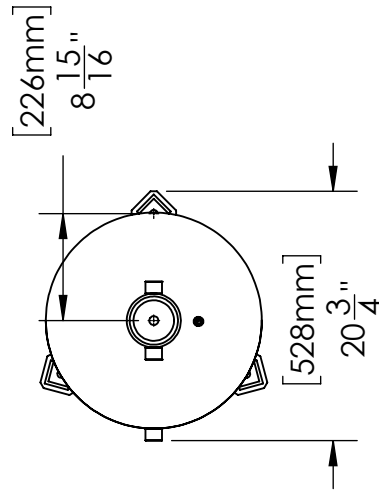
PRESSURE - Maximum Operating

Vessel	450 psi (31.0 bar)
--------	--------------------

TEMPERATURE - Maximum Operating

System	34°F - 250°F (1°C - 121°C)
--------	----------------------------

WEIGHTS	DRY	SHIPPING	OPERATING
lbs (kg)	730	732	826



PREPARED BY: HECTOR J. GUZMAN	REV A
RELEASED BY: TIM BOYLEN	DATE: 1/25/2024



General Water Systems | 1525 East 6th Street | CA | 92879
www.gwslp.com | info@gwslp.com | 951.278.8992

*UNLESS OTHERWISE SPECIFIED - ALL DIMENSIONS ARE IN INCHES

DB-45-GE-CS-Z