

POT FEEDER

GENERAL WATER SYSTEMS

THIS DRAWING IS FOR SPATIAL CONSIDERATION ONLY, AND SUBJECT TO CHANGE W/O PREVIOUS NOTICE, DO NOT PRE-PLUMB TO THESE DIMENSIONS

DB-5-1THD-CS-A

Operating Point	Up to 5000 Gallon System Volume
Pot Feeder - Size & Style	Dome Bottom 5 Gallon Threaded End
Construction	Carbon Steel (Welded)

PROCESS INLET

Connection - Type & Size	NPT 3/4"
--------------------------	----------

PROCESS OUTLET

Connection - Type & Size	NPT 3/4"
--------------------------	----------

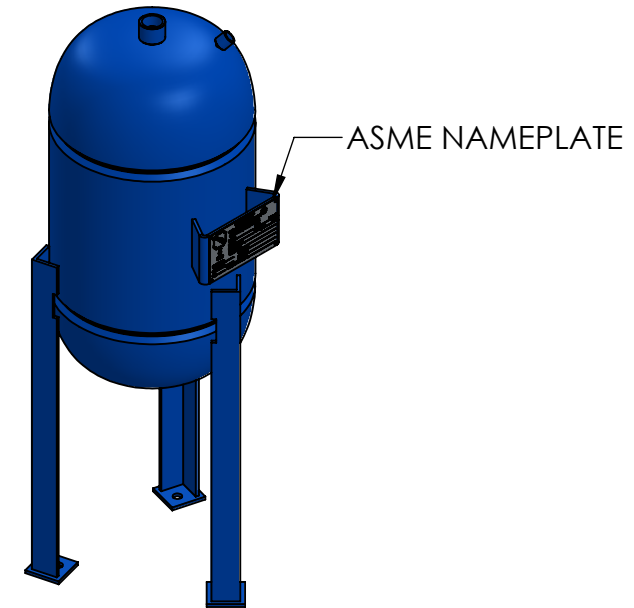
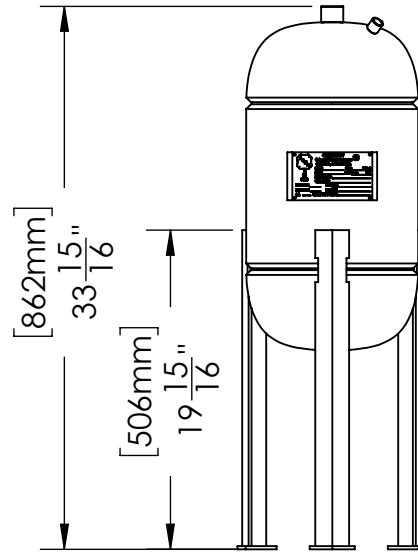
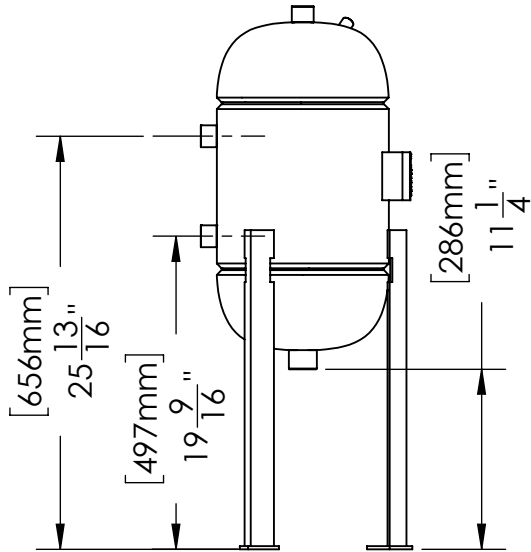
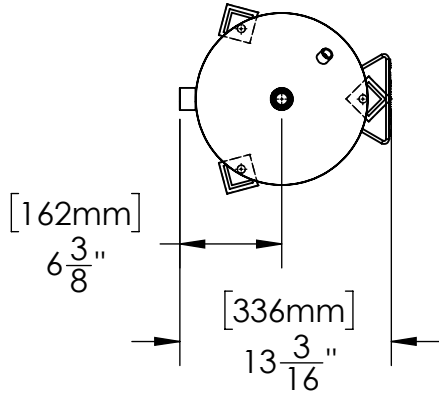
PRESSURE - Maximum Operating

Vessel	600 psi (41.4 bar)
--------	--------------------

TEMPERATURE - Maximum Operating

System	250°F (121°C)
--------	---------------

WEIGHTS	DRY	SHIPPING	OPERATING
lbs (kg)	TBD	TBD	TBD



ASME NAMEPLATE

PREPARED BY:
HECTOR J. GUZMAN

PAGE:
1

RELEASED BY:
TIM BOYLEN

DATE:
4/26/21



General Water Systems | P.O. Box 444 | Desert Hot Springs | CA | 92204
 www.gwslp.com | info@gwslp.com | 951.213.9506 | 386.255.3909
 *UNLESS OTHERWISE SPECIFIED - ALL DIMENSIONS ARE IN INCHES

DB-5-1THD-CS-A