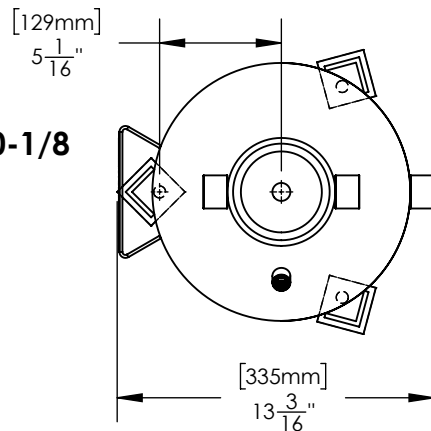
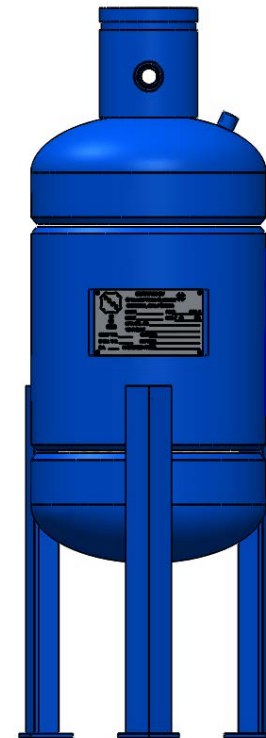
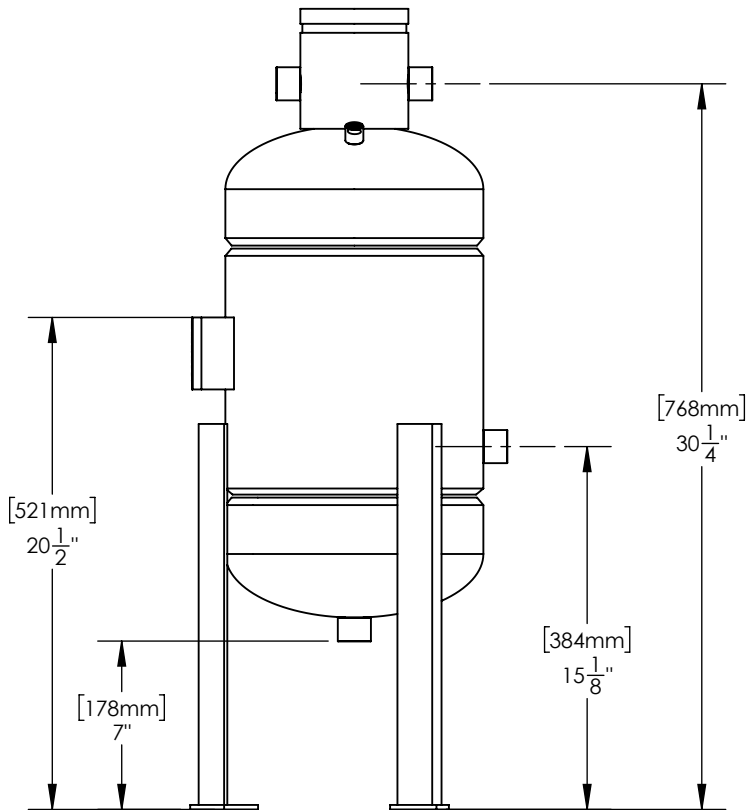
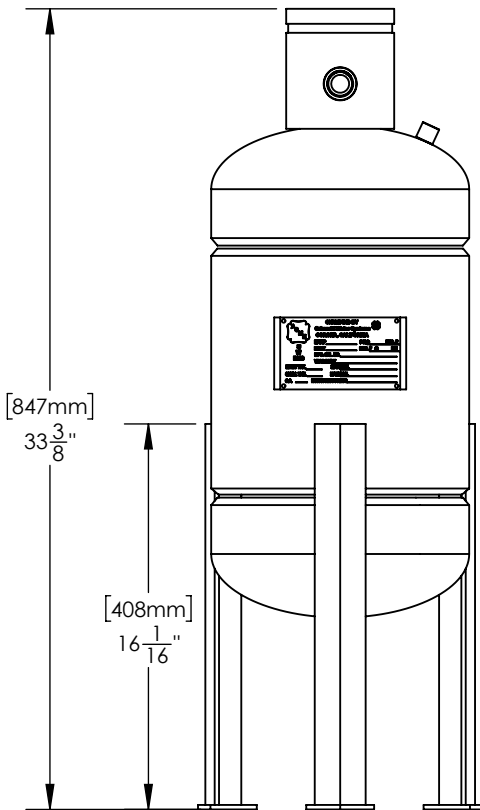


THIS DRAWING IS FOR SPATIAL CONSIDERATION ONLY, AND SUBJECT TO CHANGE W/O PREVIOUS NOTICE, DO NOT PRE-PLUMB TO THESE DIMENSIONS

BOLT PATTERN: 3 x 10-1/8



DB-5-GE-CS-A			
Operating Point	Up to 5000 Gallon System Volume		
Pot Feeder - Size & Style	Dome Bottom 5 Gallon Safety Bar		
Construction	Carbon Steel (Welded)		
PROCESS INLET			
Connection - Type & Size	NPT 3/4"		
PROCESS OUTLET			
Connection - Type & Size	NPT 3/4"		
PRESSURE - Maximum Operating			
Vessel	600 psi		
TEMPERATURE - Maximum Operating			
System	34°F - 250°F		
WEIGHTS	DRY	SHIPPING	OPERATING
lbs (kg)	98	100	141



*UNLESS OTHERWISE SPECIFIED - ALL DIMENSIONS ARE IN INCHES

PREPARED BY:
PEI-CHI (JASON) WU

PAGE:
1

RELEASED BY:
BOB KAZANJY

DATE:
05/22/2019

REV:
A



General Water Systems | P. O. Box 444 | Desert Hot Spring | CA | 92204
www.gwslp.com | info@gwslp.com | 951.213.9506 | 386.255.3909

DB-5-GE-CS-A-250