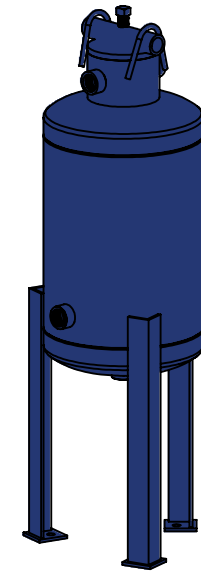
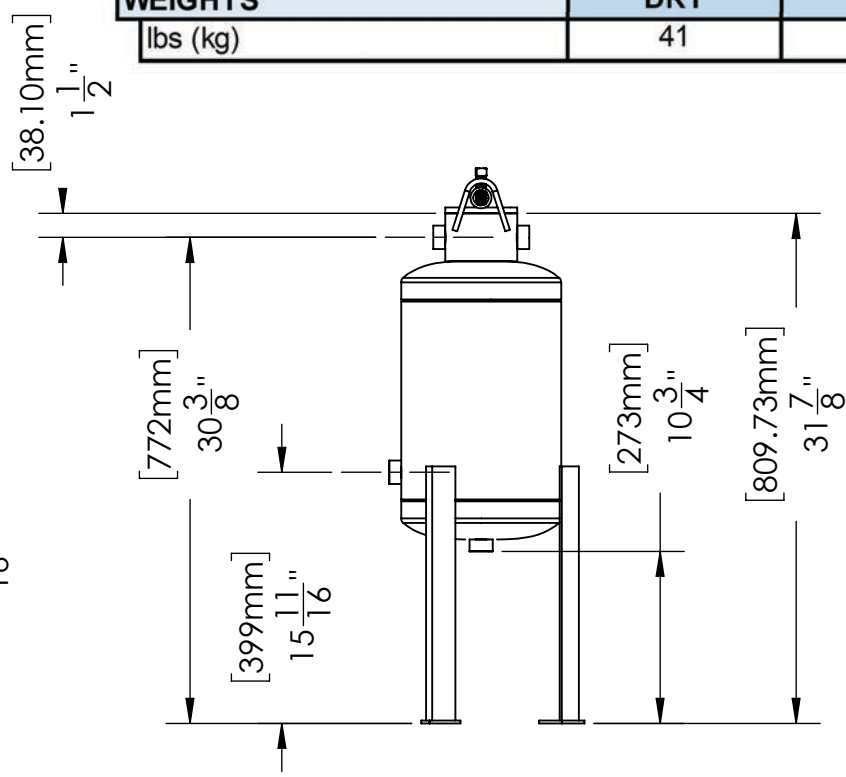
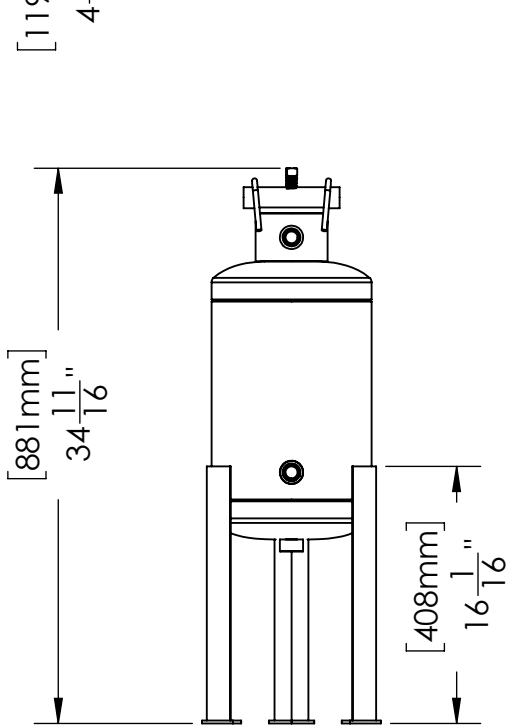
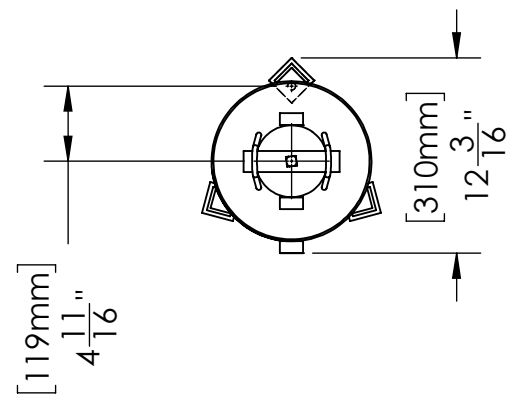


POT FEEDER

DB-5-SB-CS-Z

Operating Point	Up to 5000 Gallon System Volume		
Pot Feeder - Size & Style	Dome Bottom 5 Gallon Safety Bar		
Construction	Carbon Steel (Welded)		
PROCESS INLET			
Connection - Type & Size	NPT 3/4"		
PROCESS OUTLET			
Connection - Type & Size	NPT 3/4"		
PRESSURE - Maximum Operating			
Vessel	380 psi (26.2 bar)		
TEMPERATURE - Maximum Operating			
System	34°F - 250°F		
WEIGHTS	DRY	SHIPPING	OPERATING
lbs (kg)	41	43	81



PREPARED BY:
HECTOR J. GUZMAN

RELEASED BY:
TIM BOYLEN

REV
A

DATE:
10/4/2023



General Water Systems | 1525 East 6th Street | CA | 92879
 www.gwslp.com | info@gwslp.com | 951.278.8992
 *UNLESS OTHERWISE SPECIFIED - ALL DIMENSIONS ARE IN INCHES

DB-5-SB-CS-Z