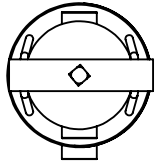


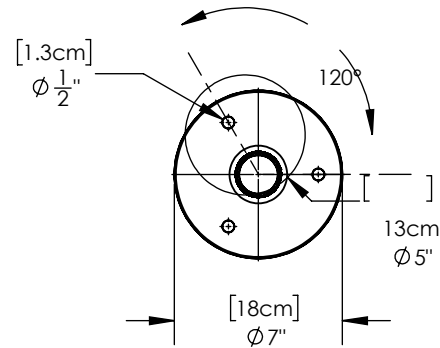
# Pot Feeder

THIS DRAWING IS FOR SPATIAL CONSIDERATION ONLY, AND SUBJECT TO CHANGE W/O PREVIOUS NOTICE, DO NOT PRE-PLUMB TO THESE DIMENSIONS

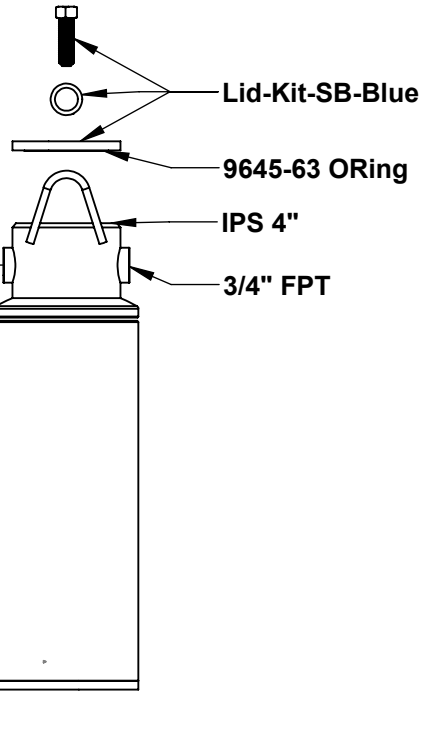
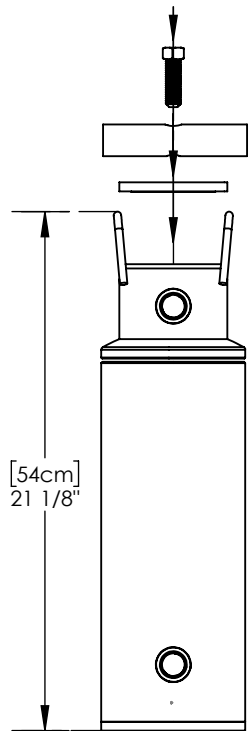
Top view



Bottom View



Setscrew  
Safety Bar Lid  
W/O RING



Optional: P-12 Pedestal



- Operating Limits: 320PSI @ 250°F, 15GPM
- Flat Bottom vessel for floor or pedestal mounting
- Safety bar closure
- Carbon steel vessel with external powder coat
- Three 3/4" FPT connections
- Optional materials: 304 or 316 stainless steel
- Weights: Dry - 26lbs; Shipping - 30lbs



FB-2-SB-CS-Z

PREPARED BY: Kyle McCarthy	PAGE: 1
RELEASED BY:	DATE: 2/25/2020
	REV: B

\*UNLESS OTHERWISE SPECIFIED - ALL DIMENSIONS ARE IN INCHES