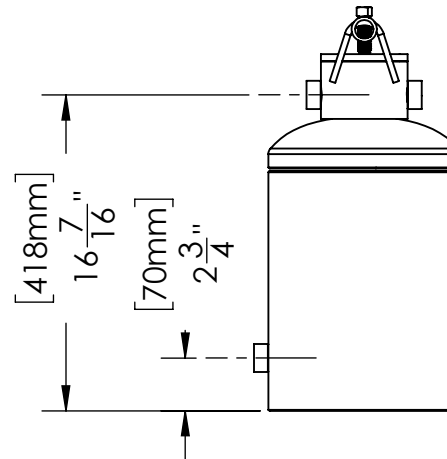
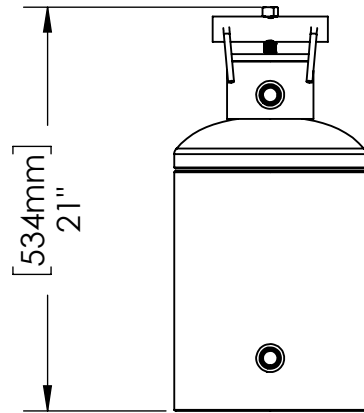
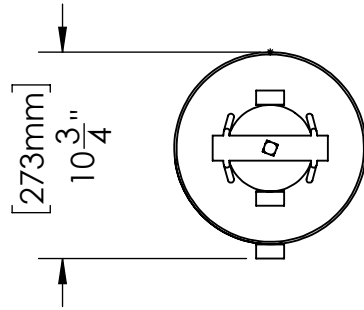


POT FEEDER

GENERAL WATER SYSTEMS

THIS DRAWING IS FOR SPATIAL CONSIDERATION ONLY, AND SUBJECT TO CHANGE W/O PREVIOUS NOTICE, DO NOT PRE-PLUMB TO THESE DIMENSIONS



FB-5-SB-304-Z

Operating Point	Up to 5000 Gallon System Volume		
Pot Feeder - Size & Style	Flat Bottom 5 Gallon Safety Bar		
Construction	304 Stainless Steel		
PROCESS INLET			
Connection - Type & Size	NPT 3/4"		
PROCESS OUTLET			
Connection - Type & Size	NPT 3/4"		
PRESSURE - Maximum Operating			
Vessel	180 psi (12.4 bar)		
TEMPERATURE - Maximum Operating			
System	34°F - 250°F (1°C - 121°C)		
WEIGHTS	DRY	SHIPPING	OPERATING
lbs (kg)	37	39	79

PREPARED BY:
HECTOR J. GUZMAN

REV
A

RELEASED BY:
TIM BOYLEN

DATE:
3/16/2024



General Water Systems | 1525 East 6th Street | CA | 92879
www.gwslp.com | info@gwslp.com | 951.278.8992

*UNLESS OTHERWISE SPECIFIED - ALL DIMENSIONS ARE IN INCHES

FB-5-SB-304-Z