



IntegraClean

THIS DRAWING IS FOR SPATIAL CONSIDERATION ONLY, AND SUBJECT TO CHANGE W/O PREVIOUS NOTICE, DO NOT PRE-PLUMB TO THESE DIMENSIONS

WAVE 3.1 Reaction Chamber
Full Flow, Mounted In Condenser WaterLine
(Size Per Contract Documents)

Condenser WaterLine

OR

WAVE 3.1 Reaction Chamber SideStream

To Clean Sweep

Plumb WAVE 3.1 Reaction Chamber To System Outlet Flow

15ft. Signal Cable, (30ft. max.)

Electrical Control Box

Conductivity Controller

Blowdown Valve Plumb To Drain

Pressure Indicator

Purge Valve Plumb To Drain

Pump/Motor

Process Outlet

Separator

Basket strainer (Optional)

From Clean Sweep

Process Inlet

Skid

WAVE 3.1 Control Panel

J-Box

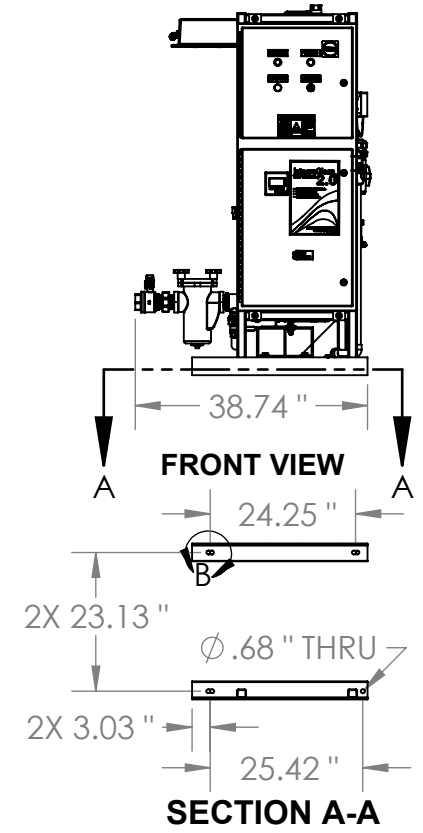
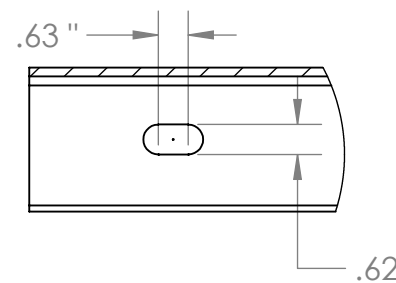
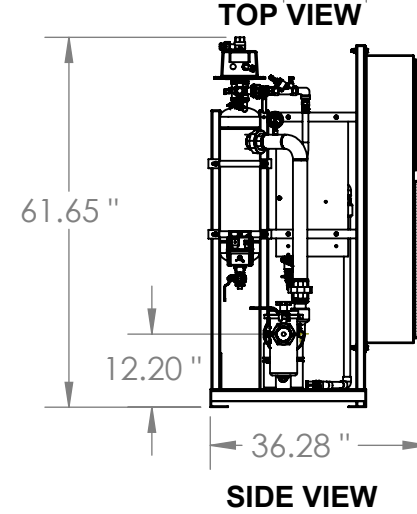
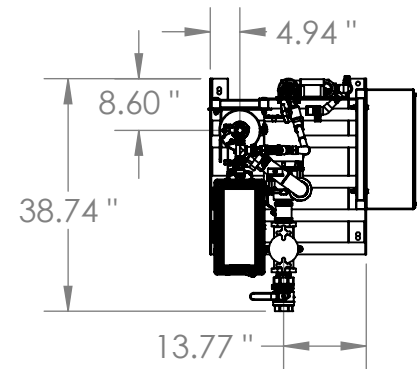
Flow Switch

Conductivity Sensor

IntegraClean

THIS DRAWING IS FOR SPATIAL CONSIDERATION ONLY, AND SUBJECT TO CHANGE W/O PREVIOUS NOTICE, DO NOT PRE-PLUMB TO THESE DIMENSIONS

IntegraClean IC-101-D-HH					
Flow Rate	32 gpm at 40 THD				
Separator Model	CS-2T-THD, Carbon Steel, Powder Coated.				
Frame Construction	Carbon Steel, Powder Coated.				
Pipe Assembly	Carbon Steel, rust inhibitor primer, with enamel finish.				
ELECTRICAL					
Motor Horsepower	1				
Motor RPM	3500	3500	2900	3500	3500
Motor Voltage, 3 Phase	460	575	380-415	230	208
Motor Amperage	2.1	1.7	2.3	4.2	4.6
System Total Amperage	6	6	7	9	9
PUMP					
Pump Operation	Flooded suction required				
Pump Casing	Cast iron				
Pump Impeller	Cast iron				
Std. Mechanical Seal	Buna seal, carbon rotary, ceramic stationary.				
BASKET STRAINER (OPTIONAL)					
Body Construction	Cast iron				
Internal Screen	1/4" perforated 304 Stainless Steel				
Connection Type	Female NPT thread				
CONTROL PANEL (UL listed and labeled, manufactured to UL-508A Std.)					
Enclosure	NEMA 4, Powder Coated, Watertight, UL listed and CSA appoved. (NEMA 4X, Optional)				
Electrical Components	Starter with Thermal Overload, HOA, stepdown, Pump "RUN" lights, Lockable Door Didconnect, Magnetic Contactor Purge Timer, Manufactured with all UL listed and CSA approved electrical components.				
PROCESS INLET					
2" FNPT	2" Ball valve				
PROCESS OUTLET					
2" FNPT	2" Ball valve				
PURGE PORT					
Actuator motor	120VAC				
Connection Type	1" Female NPT, Ball Valve				
MAX. PRESSURE					
Pump inlet	100 psi. (6.9 bar)				
Vessel	150 psi. (10.3 bar)				
MAX. TEMPERATURE					
System	100° F (38° C)				
WAVE					
Dimensions	See separate specification sheet.				



IntegraClean-101-PKG