



IntegraClean

THIS DRAWING IS FOR SPATIAL CONSIDERATION ONLY, AND SUBJECT TO CHANGE W/O PREVIOUS NOTICE, DO NOT PRE-PLUMB TO THESE DIMENSIONS

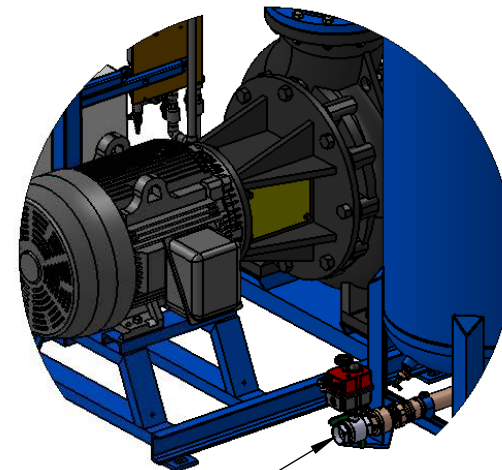
Plumb **WAVE 3.1** Reaction Chamber To System Outlet Flow

Condenser Water Line

OR

Plumb **WAVE 3.1** Reaction Chamber To System Outlet Flow

WAVE 3.1 Reaction Chamber SideStream To Clean Sweep



Purge Port Plumb to Drain

15ft. Signal Cable (30ft max.)

Separator

Electrical Control Panel

Blowdown Valve Plumb To Drain

Pressure Indicator

J-Box

Flow Switch

Conductivity Sensor

Basket Strainer (Optional)

From Clean Sweep

Conductivity Controller

WAVE 3.1 Control Panel,

Pumo/Motor

Skid

IntegraClean-1200-PKG

IntegraClean

THIS DRAWING IS FOR SPATIAL CONSIDERATION ONLY, AND SUBJECT TO CHANGE W/O PREVIOUS NOTICE, DO NOT PRE-PLUMB TO THESE DIMENSIONS

IntegraClean-1200-D-HH

| | | | | | |
|--------------------|---|--|--|--|--|
| Flow Rate | 3500 gpm at 40' THD | | | | |
| Separator Model | CS-12-FLG, Carbon Steel, Powder Coated. | | | | |
| Frame Construction | Carbon Steel, Powder Coated. | | | | |
| Pipe Assembly | Carbon Steel, rust inhibitor primer with enamel finish. | | | | |

ELECTRICAL

| | | | | | |
|------------------------------|-----------|-----------|-----------|------------|------------|
| Motor Horsepower | 50 | | | | |
| Motor RPM | 875 | 875 | 718 | 875 | 875 |
| Motor Voltage, 3 Phase | 460 | 575 | 380-415 | 230 | 208 |
| Motor Amperage | 65 | 52 | 83 | 130 | 143 |
| System Total Amperage | 67 | 54 | 85 | 132 | 145 |

PUMP

| | |
|----------------------|--------------------------|
| Pump Operation | Flooded suction required |
| Pump Casing | Cast iron |
| Pump Impeller | 304SS |
| Std. Mechanical Seal | Carbon/Si Carbide/EPDM |

BASKET STRAINER (OPTIONAL)

| | |
|-------------------|-------------------------------------|
| Body Construction | Cast iron |
| Internal Screen | 1/4" perforated 304 Stainless Steel |
| Connection Type | Class 150 flange |

CONTROL PANEL (UL listed and labeled, manufactured to UL-508A Std.)

| | |
|-----------------------|---|
| Enclosure | NEMA 4, Powder Coated, Watertight, UL listed and CSA approved. (NEMA 4X, Optional) |
| Electrical Components | Starter with Thermal Overload, HOA, stepdown Transformer, Pump "RUN" lights, Lockable Door Disconnect, Magnetic Contactor, Purge Timer, Manufactured with all UL listed and CSA approved electrical components. |

PROCESS INLET

| | |
|------------------|---------------------|
| RFSO 150# Flange | 14" butterfly valve |
|------------------|---------------------|

PROCESS OUTLET

| | |
|------------------|---------------------|
| RFSO 150# Flange | 12" butterfly valve |
|------------------|---------------------|

PURGE PORT

| | |
|-----------------|---------------------------|
| Actuator | Electric Motor |
| Connection Type | 2" Female NPT, Ball Valve |

MAX. PRESSURE

| | |
|------------|---------------------|
| Pump inlet | 100 psi. (6.9 bar) |
| Vessel | 150 psi. (10.3 bar) |

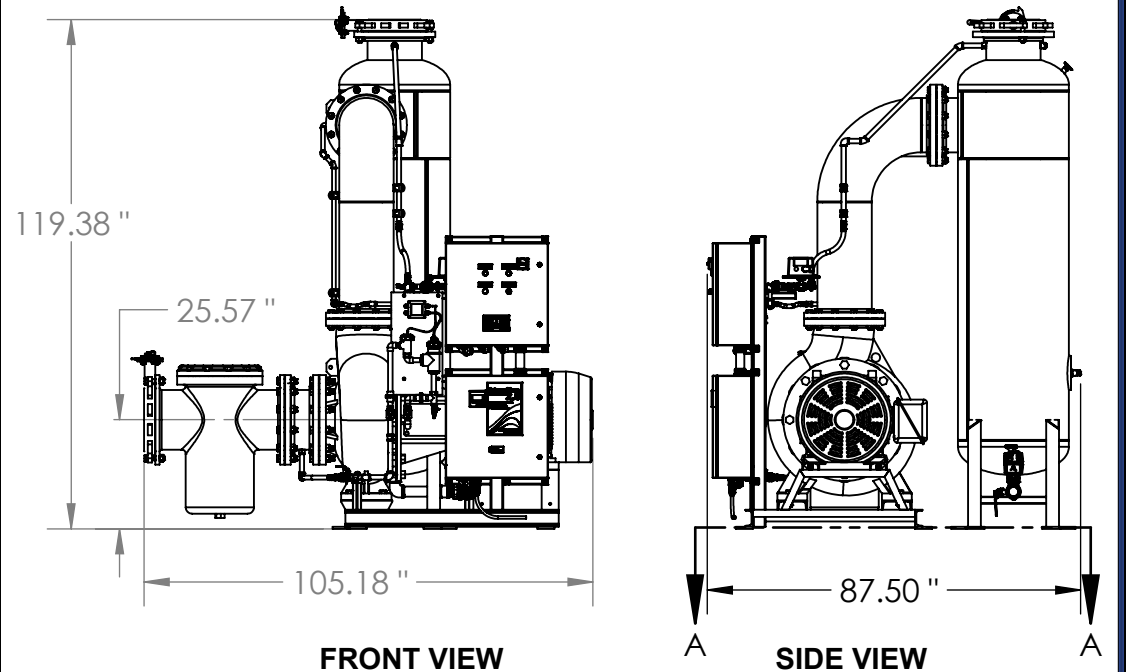
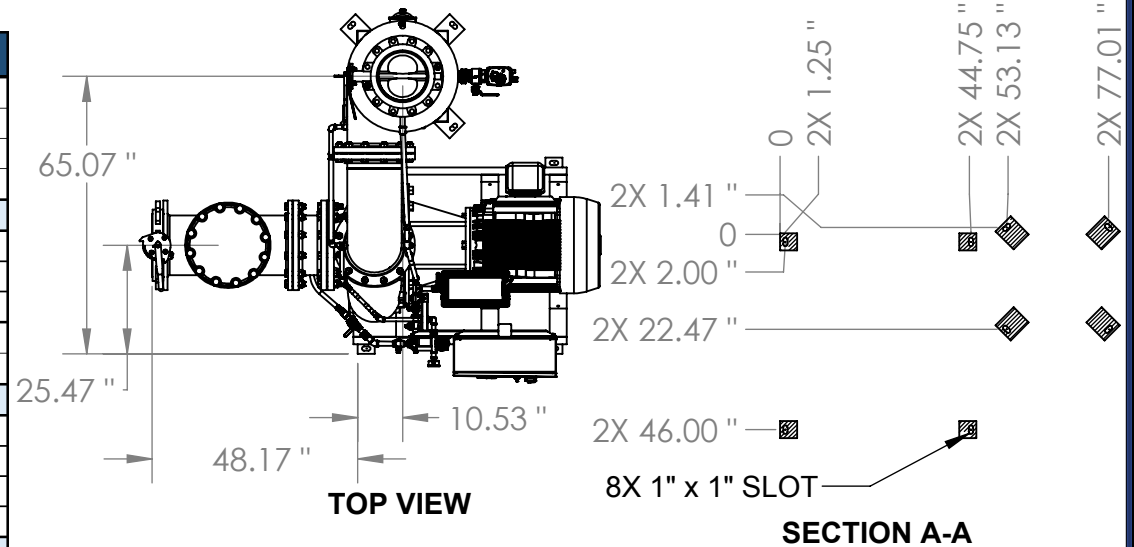
MAX. TEMPERATURE

| | |
|--------|----------------|
| System | 100° F (38° C) |
|--------|----------------|

WAVE

| | |
|------------|-----------------------------------|
| Dimensions | See separate specification sheet. |
|------------|-----------------------------------|

IntegraClean-1200-PKG revA 09/17/15 2 of 2



IntegraClean-1200-PKG