



IntegraClean

THIS DRAWING IS FOR SPATIAL CONSIDERATION ONLY, AND SUBJECT TO CHANGE W/O PREVIOUS NOTICE, DO NOT PRE-PLUMB TO THESE DIMENSIONS

WAVE 3.1 Reaction Chamber

Full Flow, Mounted In Condenser WaterLine
(Size Per Contract Documents)

WAVE 3.1 Reaction Chamber SideStream

From Clean Sweep

To Clean Sweep

OR

Plumb WAVE 3.1 Reaction Chamber To System Outlet Flow

15ft. Signal Cable (30ft. max.)

Electrical Control Panel

Blowdown Valve Plumb To Drain

Pressure Indicator

Purge Valve Plumb To Drain

Conductivity Controller

WAVE 3.1 Control Panel

J-Box

Flow Switch

Conductivity Sensor

Separator

From Clean Sweep

Basket Strainer (Optional)

Skid

Pump/Motor

IntegraClean

THIS DRAWING IS FOR SPATIAL CONSIDERATION ONLY, AND SUBJECT TO CHANGE W/O PREVIOUS NOTICE, DO NOT PRE-PLUMB TO THESE DIMENSIONS

IntegraClean IC-300-D-HH

Flow Rate	200 gpm at 40 THD
Separator Model	CS-3T-THD, Carbon Steel, Powder Coated.
Frame Construction	Carbon Steel, Powder Coated.
Pipe Assembly	Carbon Steel, rust inhibitor primer, with enamel finish.

ELECTRICAL

Motor Horsepower	3				
Motor RPM	1750	1750	1450	1750	1750
Motor Voltage, 3 Phase	460	575	380-415	230	208
Motor Amperage	4.8	3.9	6.1	9.6	10.6
System Total Amperage	9	8	10	14	15

PUMP

Pump Operation	Flooded suction required
Pump Casing	Cast iron
Pump Impeller	Cast iron
Std. Mechanical Seal	Buna seal, carbon rotary, ceramic stationary.

BASKET STRAINER (OPTIONAL)

Body Construction	Cast iron
Internal Screen	1/4" perforated 304 Stainless Steel
Connection Type	Class 150 flange

CONTROL PANEL (UL listed and labeled, manufactured to UL-508A Std.)

Enclosure	NEMA 4, Powder Coated, Watertight, UL listed and CSA appoved. (NEMA 4X, Optional)
Electrical Components	Starter with Thermal Overload, HOA, stepdown, Pump "RUN" lights, Lockable Door Didconnect, Magnetic Contactor Purge Timer, Manufactured with all UL listed and CSA approved electrical components.

PROCESS INLET

3" FNPT	3" Gate valve
---------	---------------

PROCESS OUTLET

3" FNPT	3" Gate valve
---------	---------------

PURGE PORT

Actuator motor	120VAC
Connection Type	1 1/2" Female NPT, Ball Valve

MAX. PRESSURE

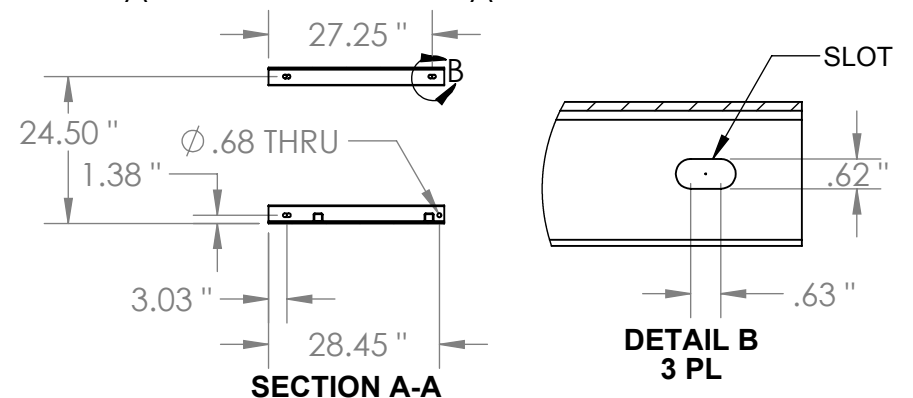
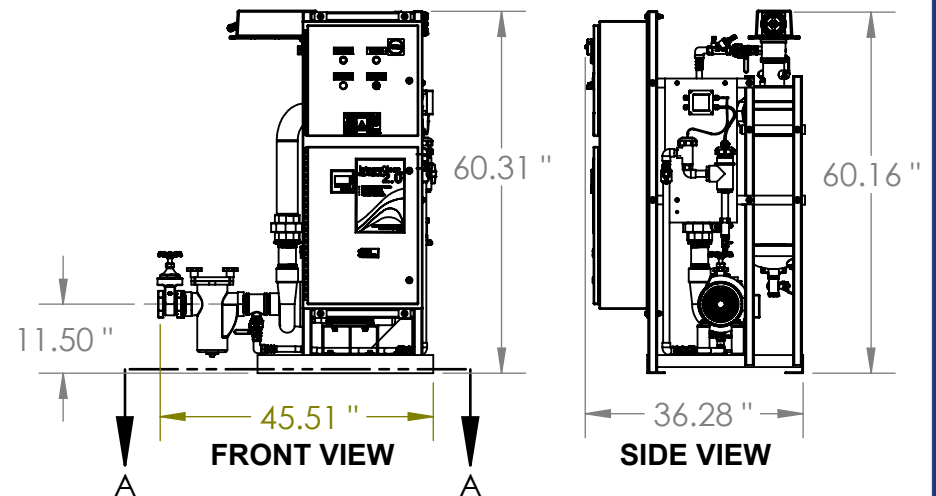
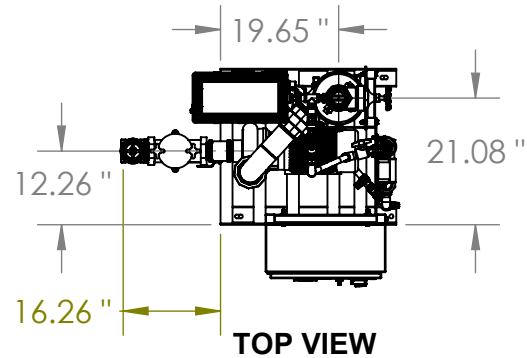
Pump inlet	100 psi. (6.9 bar)
Vessel	150 psi. (10.3 bar)

MAX. TEMPERATURE

System	100° F (38° C)
--------	----------------

WAVE

Dimensions	See separate specification sheet.
------------	-----------------------------------



IntegraClean-300-PKG