

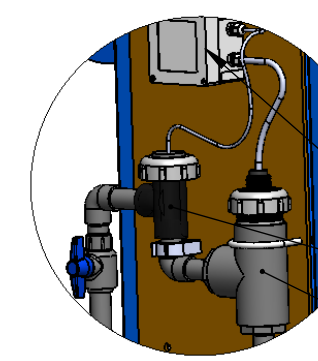
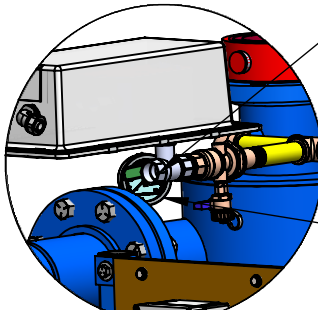
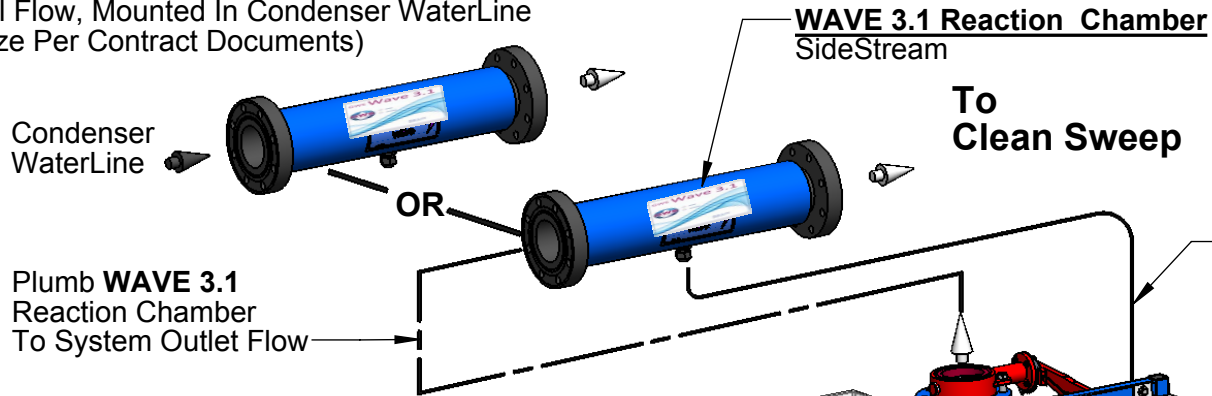


IntegraClean

THIS DRAWING IS FOR SPATIAL CONSIDERATION ONLY, AND SUBJECT TO CHANGE W/O PREVIOUS NOTICE, DO NOT PRE-PLUMB TO THESE DIMENSIONS

WAVE 3.1 Reaction Chamber

Full Flow, Mounted In Condenser WaterLine
(Size Per Contract Documents)



From Clean Sweep

Pump/Motor

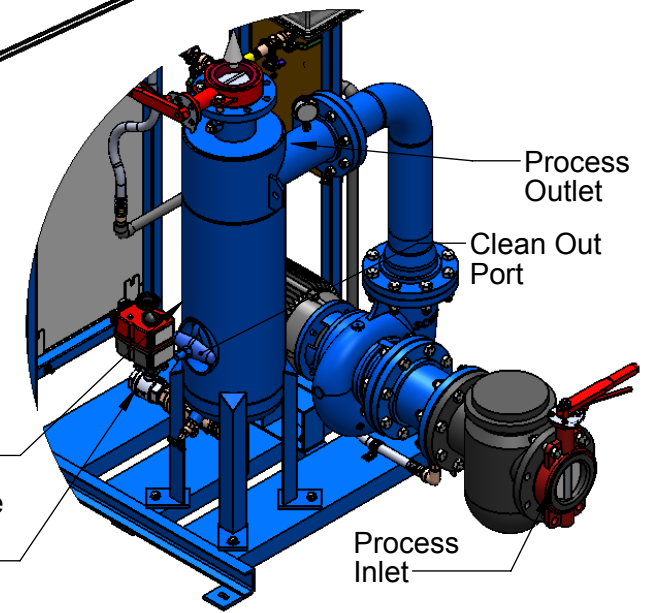
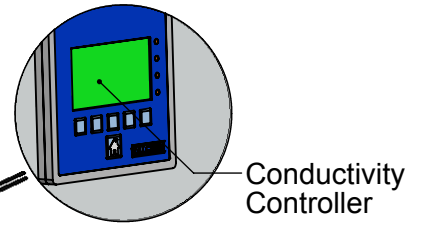
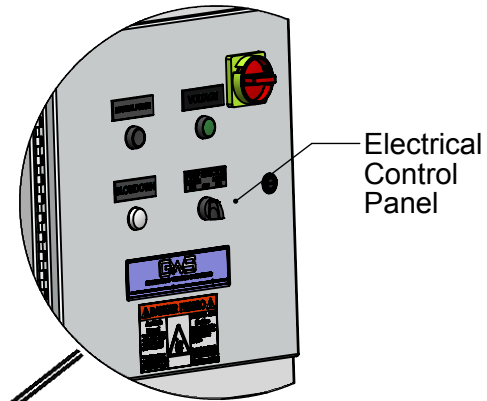
Skid

WAVE 3.1 Control Panel

Separator

Purge Valve Plumb To Drain

15ft. Signal Cable (30ft max.)



IntegraClean

THIS DRAWING IS FOR SPATIAL CONSIDERATION ONLY, AND SUBJECT TO CHANGE W/O PREVIOUS NOTICE, DO NOT PRE-PLUMB TO THESE DIMENSIONS

IntegraClean IC-401-D-HH

| | | | | | |
|--------------------|--|--|--|--|--|
| Flow Rate | 475 gpm at 40 THD | | | | |
| Separator Model | CS-4T-THD, Carbon Steel, Powder Coated. | | | | |
| Frame Construction | Carbon Steel, Powder Coated. | | | | |
| Pipe Assembly | Carbon Steel, rust inhibitor primer, with enamel finish. | | | | |

ELECTRICAL

| | | | | | |
|------------------------------|-----------|-----------|-----------|-----------|-----------|
| Motor Horsepower | 7.5 | | | | |
| Motor RPM | 1750 | 1750 | 1450 | 1750 | 1750 |
| Motor Voltage, 3 Phase | 460 | 575 | 380-415 | 230 | 208 |
| Motor Amperage | 11 | 9 | 14 | 22 | 24.2 |
| System Total Amperage | 15 | 13 | 18 | 26 | 28 |

PUMP

| | |
|----------------------|---------------------------|
| Pump Operation | Flooded suction required |
| Pump Casing | Cast iron |
| Pump Impeller | Cast iron |
| Std. Mechanical Seal | Buna seal, carbon rotary. |

BASKET STRAINER (OPTIONAL)

| | |
|-------------------|-------------------------------------|
| Body Construction | Cast iron |
| Internal Screen | 1/4" perforated 304 Stainless Steel |
| Connection Type | Class 150 flange |

CONTROL PANEL (UL listed and labeled, manufactured to UL-508A Std.)

| | |
|-----------------------|--|
| Enclosure | NEMA 4, Powder Coated, Watertight, UL listed and CSA approved. (NEMA 4X, Optional) |
| Electrical Components | Starter with Thermal Overload, HOA, stepdown, Pump "RUN" lights, Lockable Door Disconnect, Magnetic Contactor Purge Timer, Manufactured with all UL listed and CSA approved electrical components. |

PROCESS INLET

| | |
|---------------------|--------------------|
| 6" RFSO 150# Flange | 6" butterfly valve |
|---------------------|--------------------|

PROCESS OUTLET

| | |
|---------------------|--------------------|
| 4" RFSO 150# Flange | 4" butterfly valve |
|---------------------|--------------------|

PURGE PORT

| | |
|-----------------|-------------------------------|
| Actuator motor | 120VAC |
| Connection Type | 1 1/2" Female NPT, Ball Valve |

MAX. PRESSURE

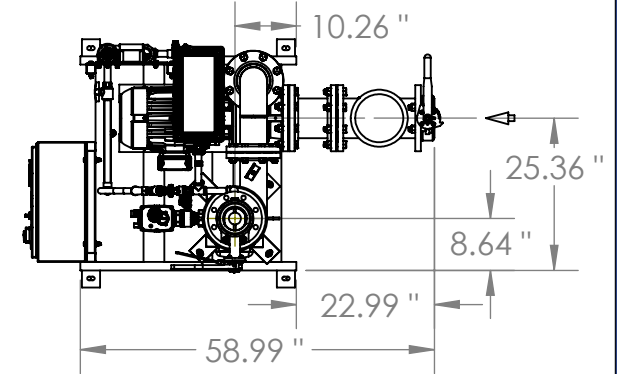
| | |
|------------|---------------------|
| Pump inlet | 100 psi. (6.9 bar) |
| Vessel | 150 psi. (10.3 bar) |

MAX. TEMPERATURE

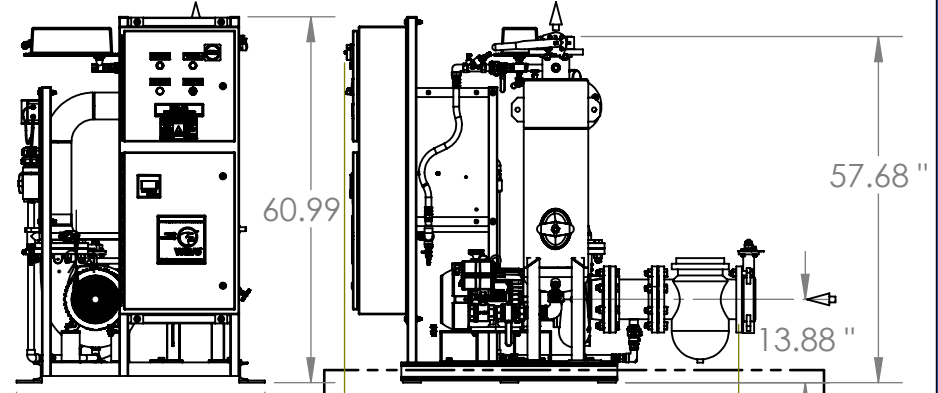
| | |
|--------|----------------|
| System | 100° F (38° C) |
|--------|----------------|

WAVE

| | |
|------------|-----------------------------------|
| Dimensions | See separate specification sheet. |
|------------|-----------------------------------|

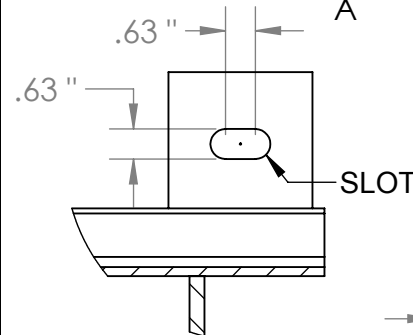


TOP VIEW

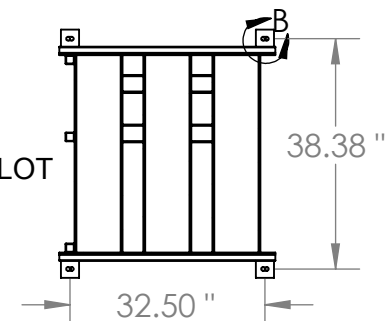


FRONT VIEW

SIDE VIEW



4X DETAIL B



SECTION A-A