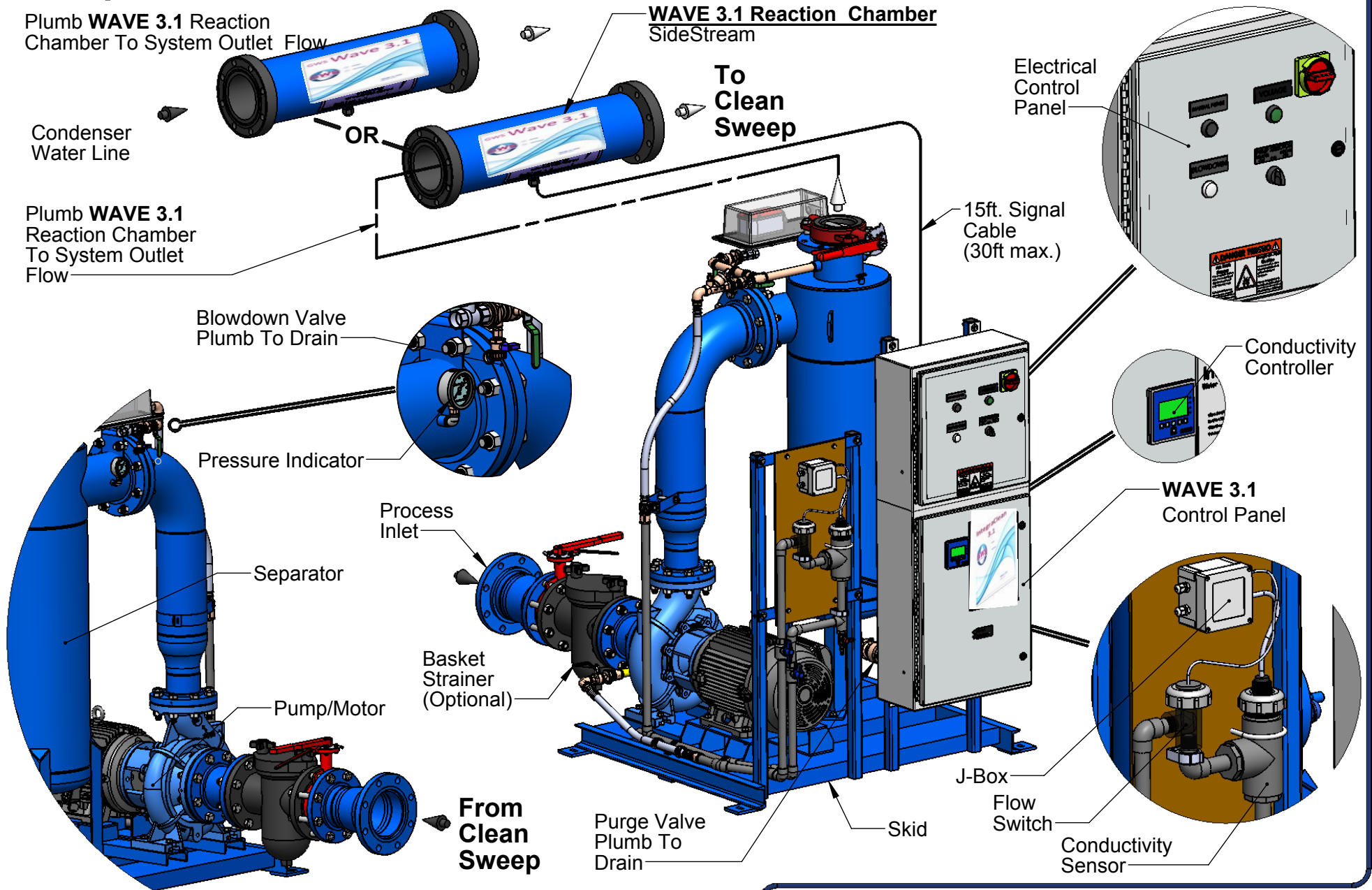




IntegraClean

THIS DRAWING IS FOR SPATIAL CONSIDERATION ONLY, AND SUBJECT TO CHANGE W/O PREVIOUS NOTICE, DO NOT PRE-PLUMB TO THESE DIMENSIONS



IntegraClean-600-PKG

IntegraClean

THIS DRAWING IS FOR SPATIAL CONSIDERATION ONLY, AND SUBJECT TO CHANGE W/O PREVIOUS NOTICE, DO NOT PRE-PLUMB TO THESE DIMENSIONS

IntegraClean IC-600-D-HH

Flow Rate	825 gpm at 40 THD				
Separator Model	CS-6T-THA, Carbon Steel, Powder Coated.				
Frame Construction	Carbon Steel, Powder Coated.				
Pipe Assembly	Carbon Steel, rust inhibitor primer, with enamel finish.				

ELECTRICAL

Motor Horsepower	15				
Motor RPM	1750	1750	1450	1750	1750
Motor Voltage, 3 Phase	460	575	380-415	230	208
Motor Amperage	21	17	27	42	46.2
System Total Amperage	25	21	31	46	51

PUMP

Pump Operation	Flooded suction required
Pump Casing	Cast iron
Pump Impeller	Cast iron
Std. Mechanical Seal	Buna seal, carbon rotary.

BASKET STRAINER (OPTIONAL)

Body Construction	Cast iron
Internal Screen	1/4" perforated 304 Stainless Steel
Connection Type	Class 150 flange

CONTROL PANEL (UL listed and labeled, manufactured to UL-508A Std.)

Enclosure	NEMA 4, Powder Coated, Watertight, UL listed and CSA approved. (NEMA 4X, Optional)
Electrical Components	Starter with Thermal Overload, HOA, stepdown, Pump "RUN" lights, Lockable Door Disconnect, Magnetic Contactor Purge Timer, Manufactured with all UL listed and CSA approved electrical components.

PROCESS INLET

6" RFSO 150# Flange	6" butterfly valve
---------------------	--------------------

PROCESS OUTLET

6" RFSO 150# Flange	6" butterfly valve
---------------------	--------------------

PURGE PORT

Actuator motor	120VAC
Connection Type	1 1/2" Female NPT, Ball Valve

MAX. PRESSURE

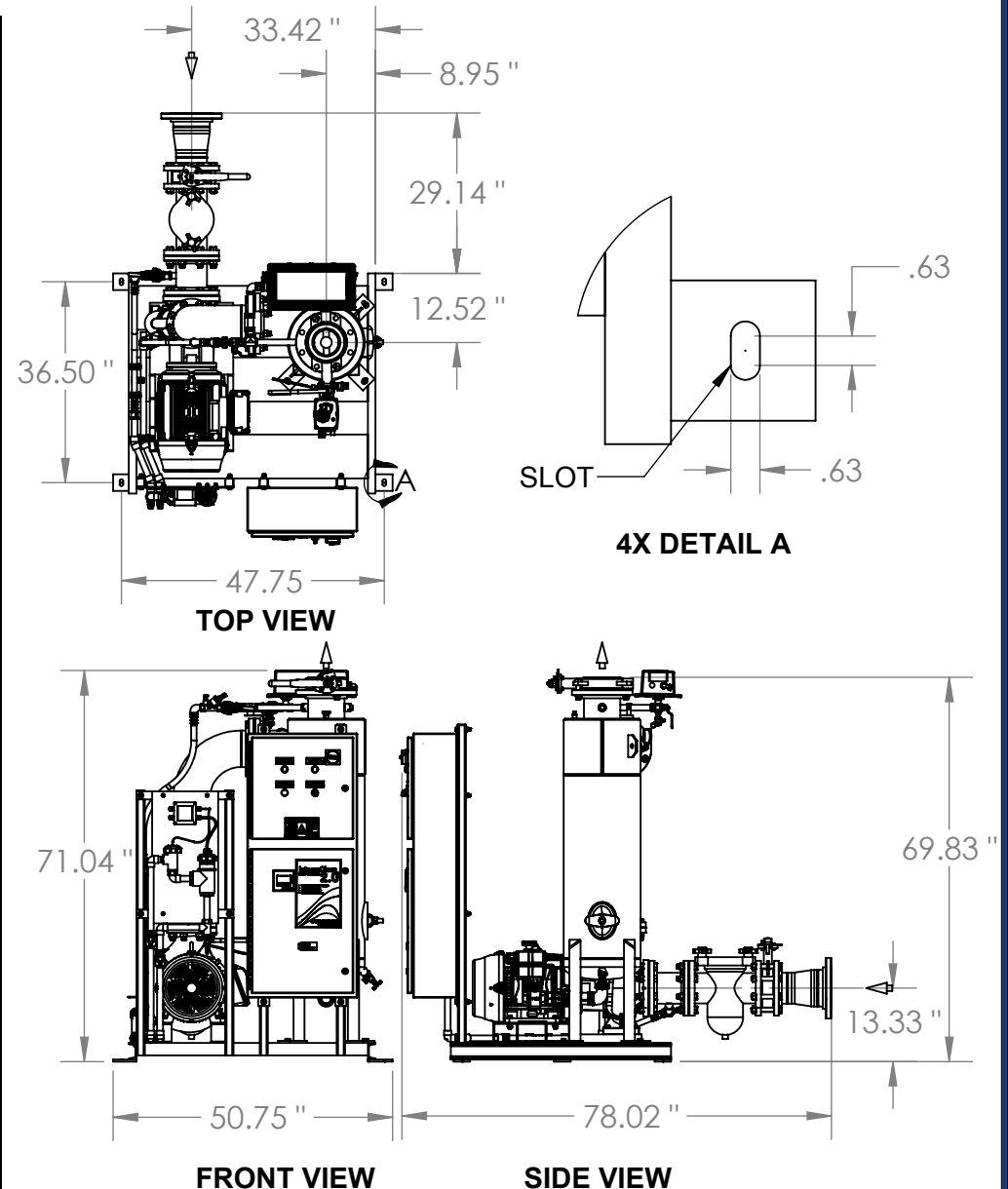
Pump inlet	100 psi. (6.9 bar)
Vessel	150 psi. (10.3 bar)

MAX. TEMPERATURE

System	100° F (38° C)
--------	----------------

WAVE

Dimensions	See separate specification sheet.
------------	-----------------------------------



IntegraClean-600-PKG