



IntegraClean

THIS DRAWING IS FOR SPATIAL CONSIDERATION ONLY, AND SUBJECT TO CHANGE W/O PREVIOUS NOTICE, DO NOT PRE-PLUMB TO THESE DIMENSIONS

Plumb **WAVE 3.1** Reaction Chamber To System Outlet Flow

WAVE 3.1 Reaction Chamber SideStream

To Clean Sweep

Condenser Water Line

OR

Plumb **WAVE 3.1** Reaction Chamber To System Outlet Flow

15ft. Signal Cable (30ft max.)

Pressure Indicator

J-Box

Flow Switch

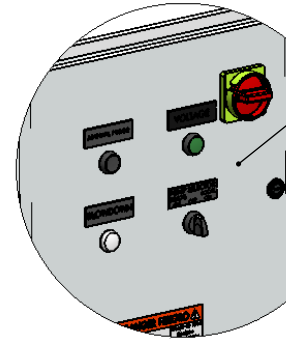
Conductivity Sensor

From Clean Sweep

Basket Strainer (Optional)

Skid

WAVE 3.1 Control Panel



Electrical Control Box

Blowdown Valve Plumb to Drain

Separator

Pump/Motor

Conductivity Controller

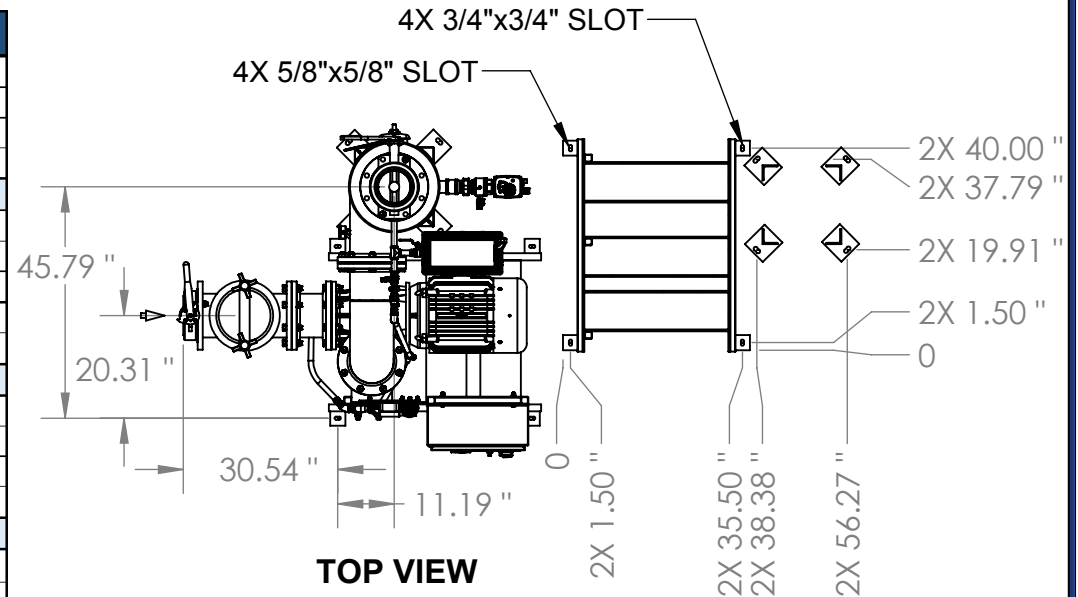
Purge Valve Plumb To Drain

IntegraClean

THIS DRAWING IS FOR SPATIAL CONSIDERATION ONLY, AND SUBJECT TO CHANGE W/O PREVIOUS NOTICE, DO NOT PRE-PLUMB TO THESE DIMENSIONS

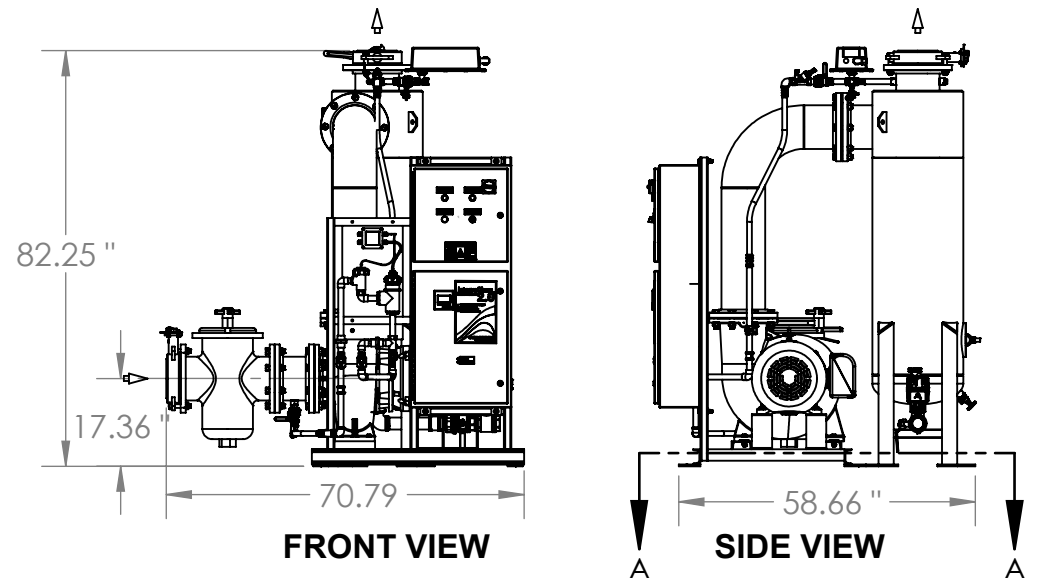
IntegraClean IC-800-D-HH

Flow Rate	1500 gpm at 40 THD				
Separator Model	CS-8T-THA, Carbon Steel, Powder Coated.				
Frame Construction	Carbon Steel, Powder Coated.				
Pipe Assembly	Carbon Steel, rust inhibitor primer, with enamel finish.				
ELECTRICAL					
Motor Horsepower	25				
Motor RPM	1750	1750	1450	1750	1750
Motor Voltage, 3 Phase	460	575	380-415	230	208
Motor Amperage	34	27	44	68	74.8
System Total Amperage	38	31	48	72	79
PUMP					
Pump Operation	Flooded suction required				
Pump Casing	Cast iron				
Pump Impeller	Cast iron				
Std. Mechanical Seal	Buna seal, carbon rotary.				
BASKET STRAINER (OPTIONAL)					
Body Construction	Cast iron				
Internal Screen	1/4" perforated 304 Stainless Steel				
Connection Type	Class 150 flange				
CONTROL PANEL (UL listed and labeled, manufactured to UL-508A Std.)					
Enclosure	NEMA 4, Powder Coated, Watertight, UL listed and CSA approved. (NEMA 4X, Optional)				
Electrical Components	Starter with Thermal Overload, HOA, stepdown, Pump "RUN" lights, Lockable Door Disconnect, Magnetic Contactor Purge Timer, Manufactured with all UL listed and CSA approved electrical components.				
PROCESS INLET					
8" RFSO 150# Flange	8" butterfly valve				
PROCESS OUTLET					
8" RFSO 150# Flange	8" butterfly valve				
PURGE PORT					
Actuator motor	120VAC				
Connection Type	2" Female NPT, Ball Valve				
MAX. PRESSURE					
Pump inlet	100 psi. (6.9 bar)				
Vessel	150 psi. (10.3 bar)				
MAX. TEMPERATURE					
System	100° F (38° C)				
WAVE					
Dimensions	See separate specification sheet.				



TOP VIEW

SECTION A-A



FRONT VIEW

SIDE VIEW

IntegraClean-800-PKG