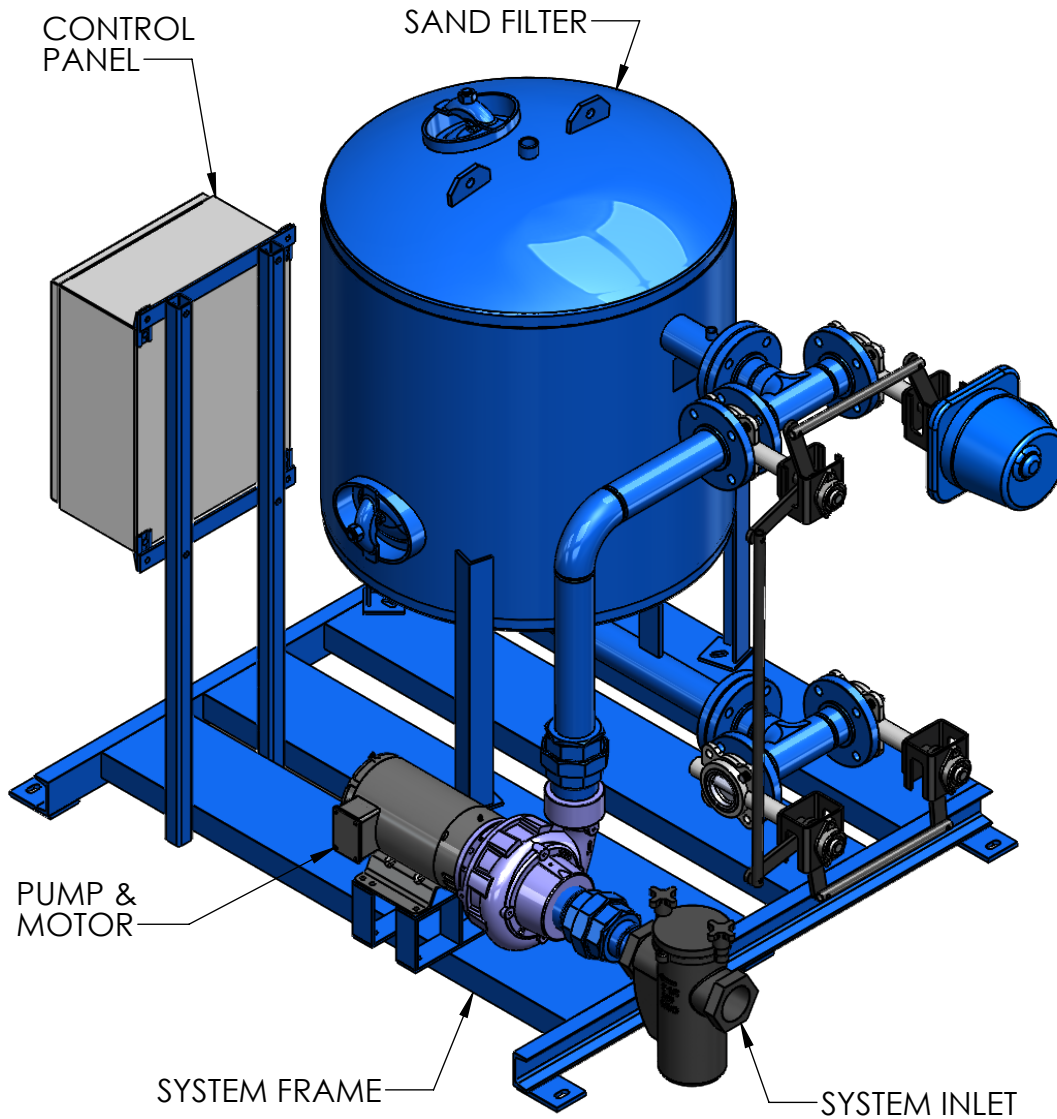


THIS DRAWING IS FOR SPATIAL CONSIDERATION ONLY, AND SUBJECT TO CHANGE W/O PREVIOUS NOTICE, DO NOT PRE-PLUMB TO THESE DIMENSIONS



SFC30-LH

Operating Point	98 GPM (US) @ 40' TDH
Sand Filter - Size & Style	30" Carbon Steel, Powder Coated
Frame Construction	Carbon Steel (Welded), Powder Coated
Pipe Assy - Construction	Carbon Steel (Welded), Powder Coated

ELECTRICAL - Motor & System

Horsepower (HP)	3
Power - Volts / Hz	460/60
RPM	3500
Motor Amperage	4.8
System Total Amperage	6.8

PUMP

Installation	Flooded Suction Required
Case Material	Cast Iron
Impeller Material	Bronze
Mechanical Seal	VITON Elastomer, Silicone Carbide Seat, Carbon Rotary

BASKET STRAINER

Body Construction	Cast Iron
Strainer Mesh	Stainless Steel with 1/4" perforations
Connection - Type & Size	Female NPT 2-1/2"

CONTROL PANEL (UL Listed & Labeled. Manufactured to UL 508A)

Enclosure (UL listed & CSA approved)	NEMA 4 (STD) NEMA 4X (Optional) - 304
Electrical Components (UL listed & CSA approved)	Thermal Overload Starter, HOA, XFMR, "RUN" Light, Door Disconnect, Contactor, Purge Timer

PROCESS INLET

Connection - Type & Size	FNPT 2-1/2"
--------------------------	-------------

PROCESS OUTLET

Connection - Type & Size	Flange 2-1/2"
--------------------------	---------------

VALVE ASSEMBLY

Body Material	Cast Iron, Powder Coated
Disc Material	Cast Iron, Powder Coated
Connection Type	Flanged, Butterfly
Seat	EPDM
Electrical	120VAC Electric Actuator
Y-Strainer	Cast Iron, 3/64" Perforation
Press Release & Air Vent	3/4" NPT

PRESSURE - Maximum Operating

Pump Inlet	60 psi (4.1 bar)
Vessel	80 psi (5.5 bar)

TEMPERATURE - Maximum Operating

System	120°F (49°C)
--------	--------------

WEIGHTS	DRY	SHIPPING	OPERATING
lbs (kg)	TBD	1850 (839)	2700 (1225)

PREPARED BY: JOHN TREADWELL	PAGE: 1
RELEASED BY: TIM BOYLEN	DATE: 03/13/2020



*UNLESS OTHERWISE SPECIFIED - ALL DIMENSIONS ARE IN INCHES

SFC30-LH

