

# PRODUCT CATALOGUE





Custom Designed by Society Wheelchairs Ltd.  
Society Wheelchairs Ltd.™ Copyright 2020 ©

# WHEELCHAIR FRAMES

## PRODUCT DESCRIPTION

Made with titanium for a strong and lightweight build, our wheelchair frames are designed to meet your needs.

Using data gathered during the assessment process, our team will create a customized wheelchair design to match your body.

Clients and clinicians have the opportunity to contribute to the design throughout the fitment process.



# CORRECTIVE SEATING

## PRODUCT DESCRIPTION

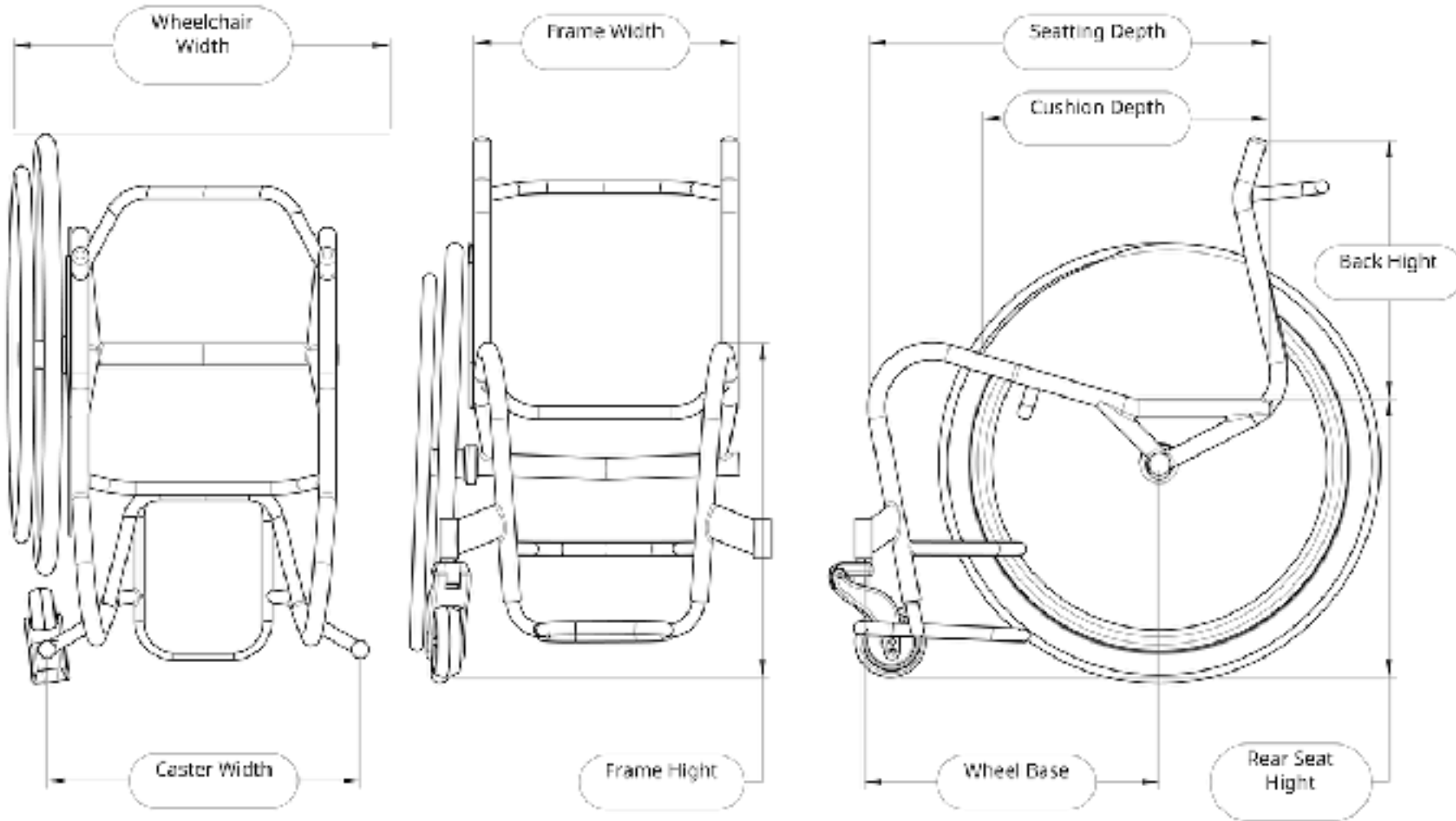
Made with a carbon fibre shell for durability and strength, and medical grade neoprene padding for comfort and support.

Our lightweight seats address postural concerns and seating issues.

Working with clients and clinicians to find the right seating solution.



# WHEELCHAIR DESIGN



# COMPLETE WHEELCHAIR SYSTEM





Mobile | Canada | Fabricate au Canada

