

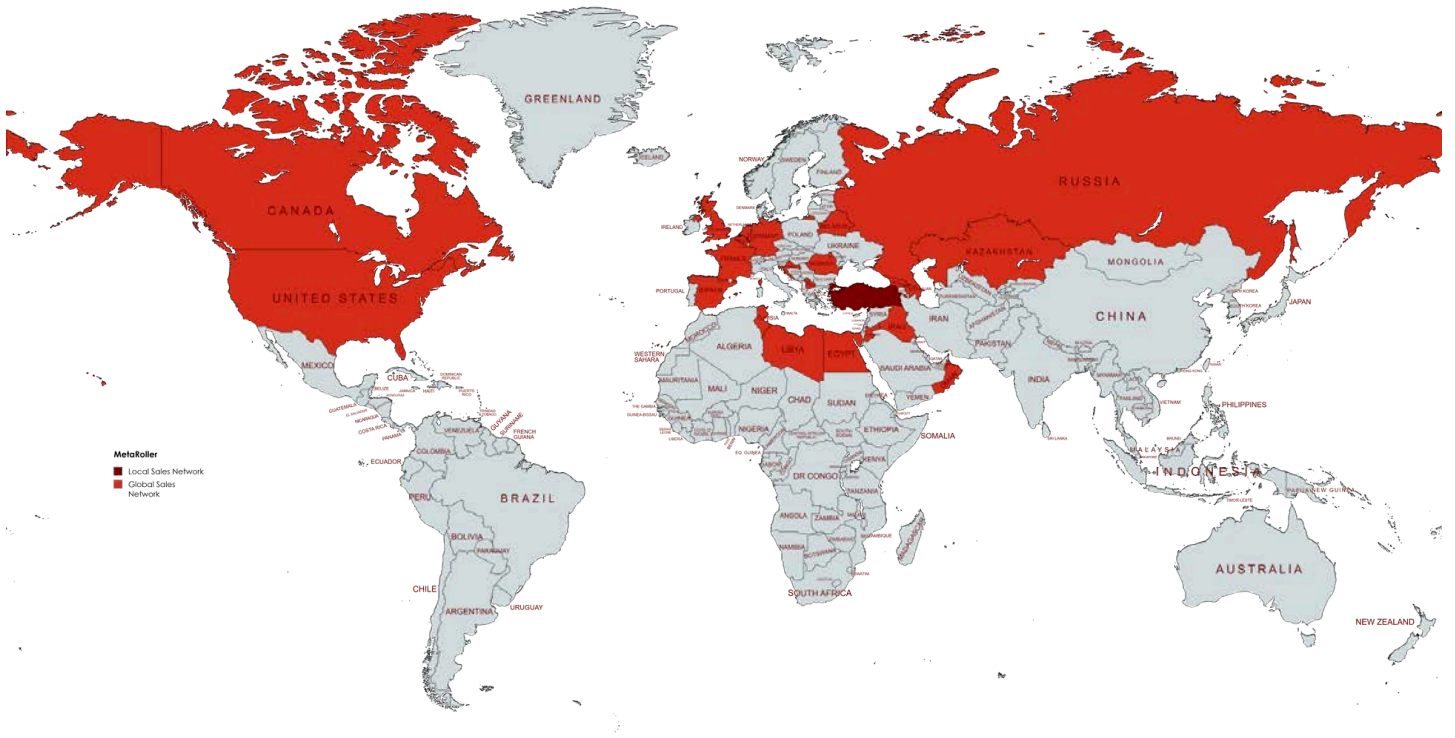
CONVEYOR SYSTEMS CATALOG 2026

MetaRoller
Conveyor Systems

2025 Production Highlights

MetaRoller delivered 22 motorized flexible conveyors in 2025, each 10 meters long and built to European standards, ensuring durability, high efficiency, and long-lasting performance for the logistics sector.





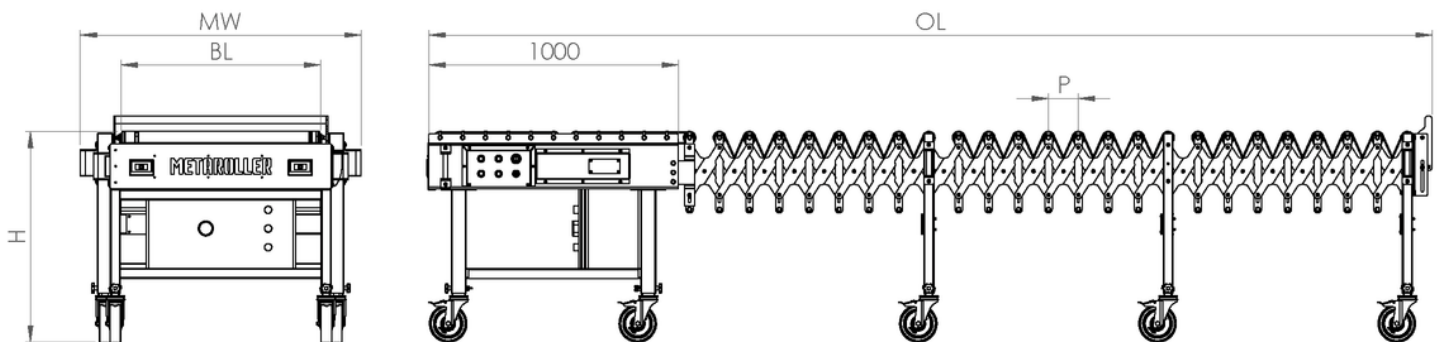
METAROLLER

Founded in 2016, Metaroller has been operating in the conveyor industry for close to a decade. Headquartered in Istanbul, Türkiye, the company delivers solutions for both end users and OEM-oriented projects through its strong manufacturing capabilities.

With an export network extending from Türkiye to global markets, Metaroller products and systems are currently used in numerous countries. As a manufacturer with a deep understanding of logistics sector requirements, the company focuses on developing durable and efficient solutions that support customers in optimizing their operational workflows.



Technical Specifications		Roller data		Drive data	
Max. load capacity	80 kg/m (standard)	Roller type	Interroll Series 3500	Rated voltage	24/48 V
Conveyor speed	0.1 to 1.0 m/s	Roller diameter	Ø50 mm	Motor type	Interroll RollerDrive EC5000
Ambient temperature	+5 to +40 °C	Roller material	Steel 1.5 mm, zinc-plated	Drive medium	Ø5 O-belts
Max. electrical power per zone	50 W	Max. number of rollers per zone	8 pieces	Torque transmission	Roller-to-Wheel-to-Roller

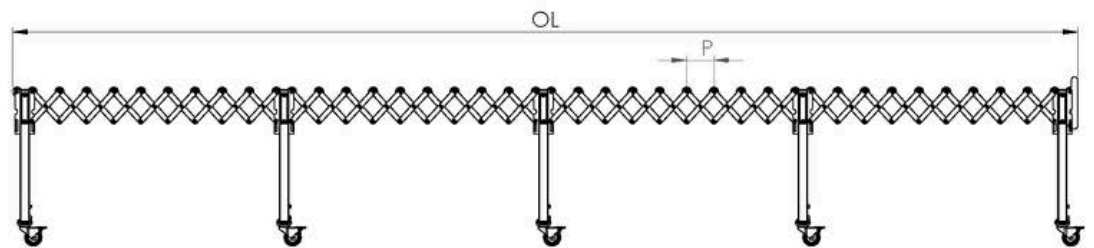
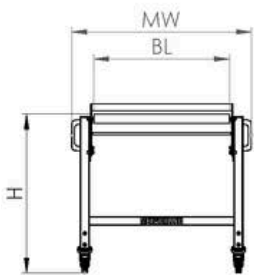


	Dimensions	
BL	Clear width	400, 500, 600, 700, 800, 900 mm (others on request)
OL	Opened length	1, 2, 3, 4, 5, 6, 7, 8, 9, 10 meters (others on request)
MW	Module width	BL + 300 mm
P	Roller pitch	55 mm (Closed) - 120 mm (Opened) / (others on request)
H	Height	600, 650, 700, 750, 800, 850, 900 mm (others on request)

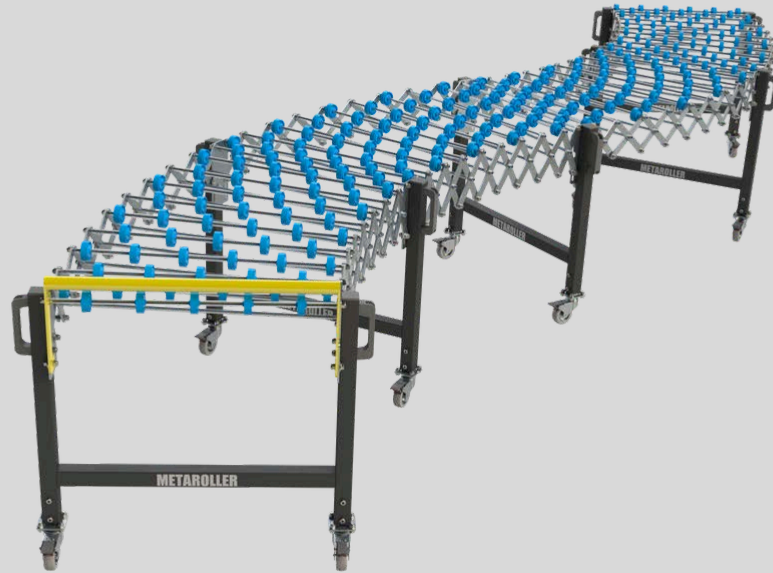


Technical Specifications

Max. load capacity	80 kg/m (standard)
Roller diameter	Ø40 mm (others on request)
Roller material	Galvanized Steel, Stainless Steel, Aluminum, Plastic (PVC Tube)
Max. number of rollers per zone	8 pieces

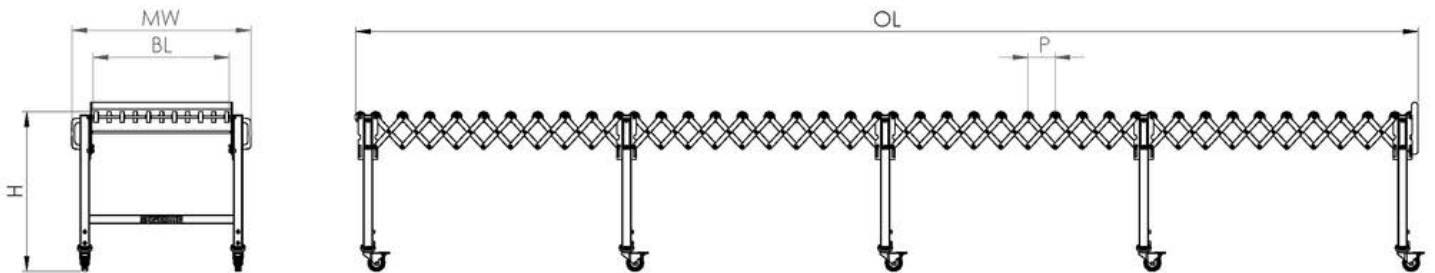


Dimensions		
BL	Clear width	300, 400, 500, 600, 700, 800, 900, 1000 mm (others on request)
OL	Opened length	1, 2, 3, 4, 5, 6, 7, 8, 9, 10 meters (others on request)
MW	Module width	BL + 300 mm
P	Roller pitch	40mm (Closed) - 120 mm (Opened) / (others on request)
H	Height	400 - 900 mm (others on request)



Technical Specifications

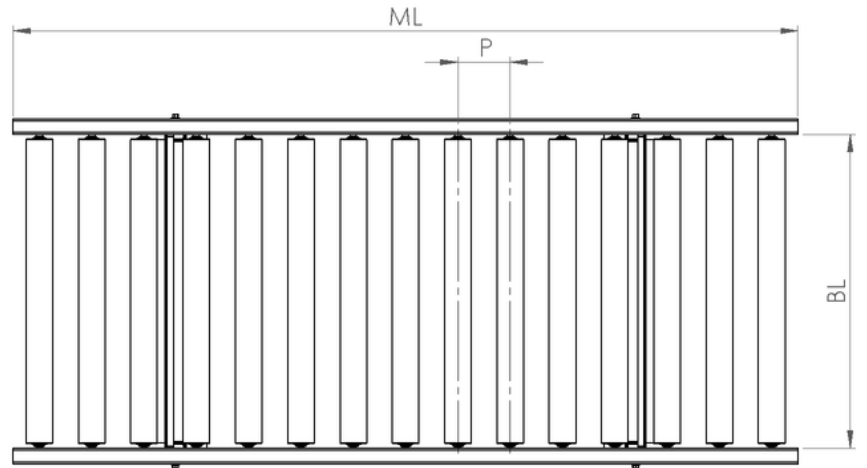
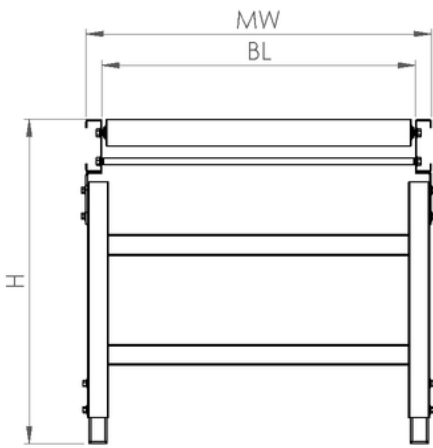
Max. load capacity	80 kg/m (standard)
Skatewheel diameter	Ø48 mm
Skatewheel material	Plastic, Steel
Max. number of Axle per zone	8 pieces



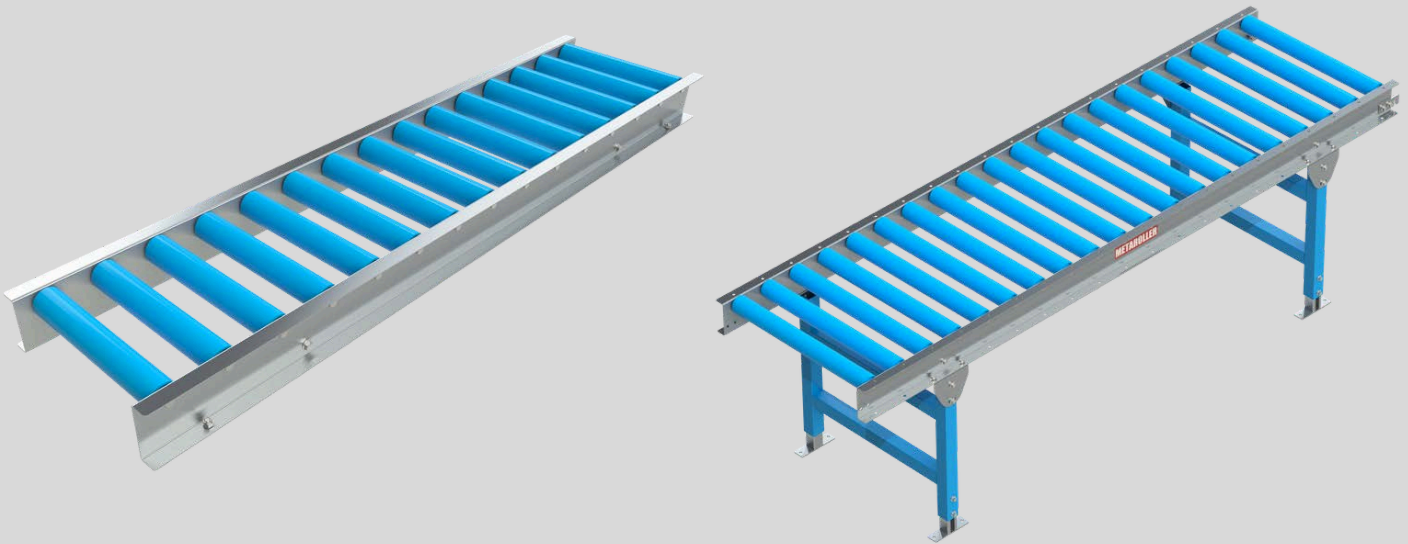
Dimensions		
BL	Clear width	300, 400, 500, 600, 700, 800, 900, 1000 mm (others on request)
OL	Opened length	1, 2, 3, 4, 5, 6, 7, 8, 9, 10 meters (others on request)
MW	Module width	BL + 300 mm
P	Roller pitch	12 mm (Closed) - 120 mm (Opened) / (others on request)
H	Height	400 - 900 mm (others on request)



Technical Specifications	
Max. load capacity	80 kg/m (standard)
Roller diameter	Ø16, Ø20, Ø30, Ø40, Ø50, Ø60 mm (others on request)
Roller material	Galvanized Steel, Stainless Steel, Aluminum, Plastic (PVC Tube)

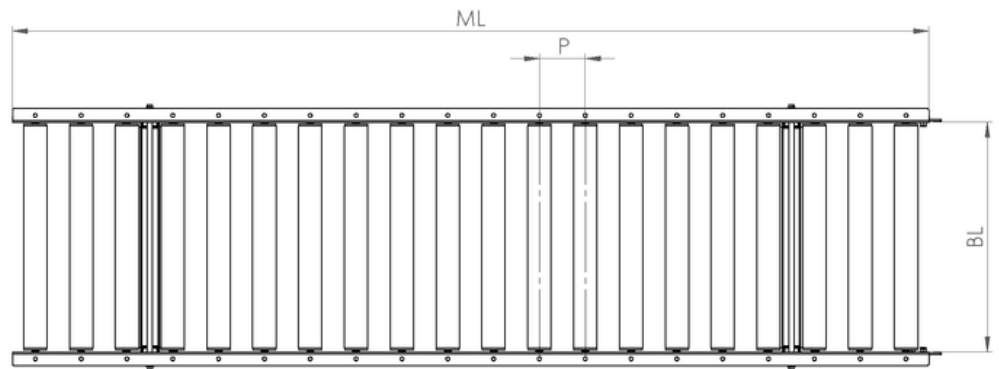
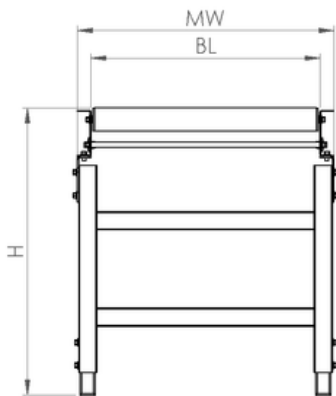


Dimensions		
BL	Clear width	200, 300, 400, 500, 600, 700, 800, 900, 1000 mm (others on request)
ML	Module length	500, 1000, 1500, 2000, 2500, 3000 mm (others on request)
MW	Module width	BL + 80 mm
P	Roller pitch	17 - 250 mm / (others on request)
H	Height	200 - 900 mm (others on request)



Technical Specifications

Max. load capacity	40 kg/m (standard)
Roller diameter	Ø50 mm (others on request)
Roller material	Blue Plastic (U-PVC Tube)
Conveyor Incline	2 – 5 % (depending on load weight and surface characteristics)

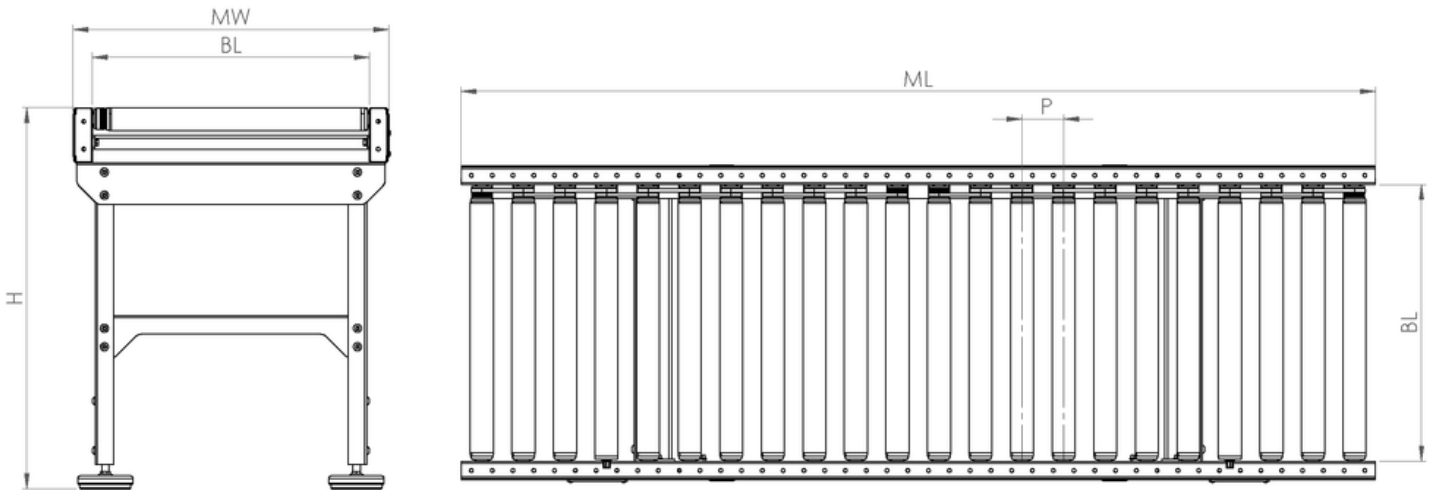


Dimensions		
BL	Clear width	200, 300, 400, 500, 600, 700, 800, 900, 1000 mm (others on request)
ML	Module length	500, 1000, 2000, 3000 mm (others on request)
MW	Module width	BL + 60 mm
P	Roller pitch	62.5 / 75 / 100 / 125 / 150 / 200 / 250 mm / (others on request)
H	Height	200 - 900 mm (others on request)



Technical Specifications

Max. load capacity	80 kg/m (standard)
Roller diameter	Ø50 mm (others on request)
Roller material	Galvanized Steel

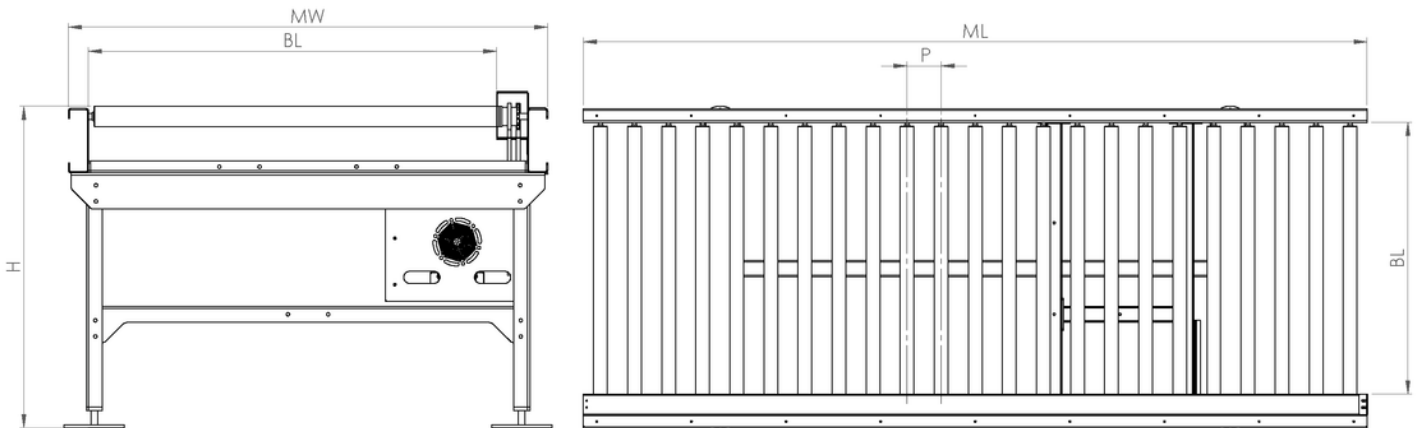


Dimensions		
BL	Clear width	400, 500, 600, 700, 800, 900, 1000 mm (others on request)
ML	Module length	500, 1000, 1500, 2000, 2500, 3000 mm (others on request)
MW	Module width	BL + 80 mm
P	Roller pitch	60 / 90 / 120 / 150 mm / (others on request)
H	Height	200 - 900 mm (others on request)



Technical Specifications

Typical Load Capacity	250 – 1000 kg/m
Roller diameter	Ø50 – Ø60 mm (others on request)
Roller material	Galvanized Steel

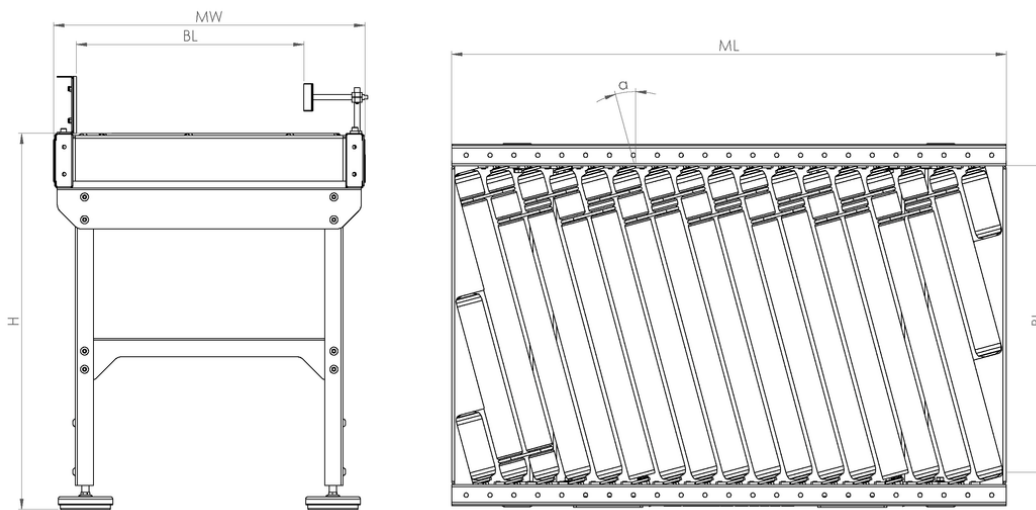


Dimensions		
BL	Clear width	400, 500, 600, 700, 800, 900, 1000 mm (others on request)
ML	Module length	500 - 2985 mm (others on request)
MW	Module width	BL + 180 mm
P	Roller pitch	Chain Type: 06B / 08B / 10B Chain Pitch: 3/8" – 5/8" Roller Pitch: 75 – 150 mm
H	Height	500 - 900 mm (others on request)



Technical Specifications

Max. load capacity	50 kg/m
Roller diameter	Ø50 mm
Roller material	Galvanized Steel 1.5 mm, zinc-plated

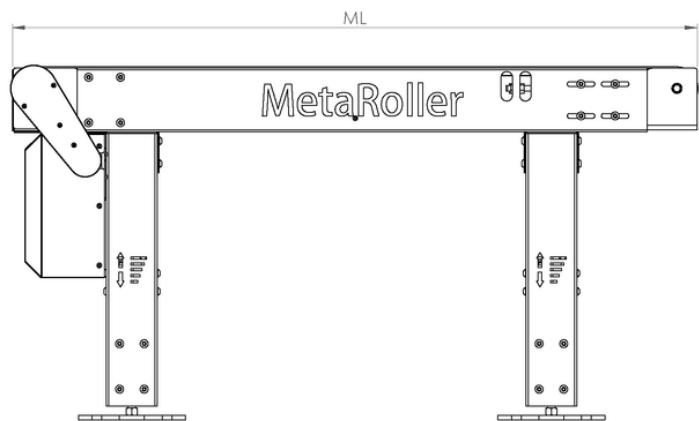
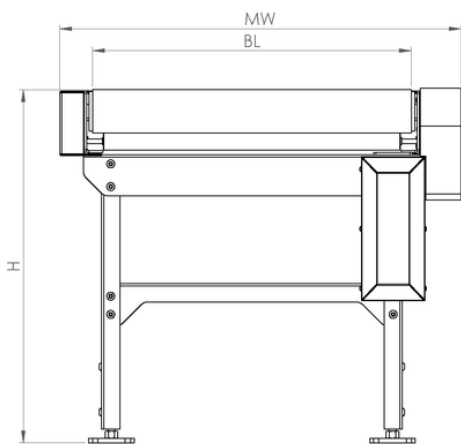


Dimensions		
BL	Clear width	400, 500, 600, 700, 800, 900, 1000 mm (others on request)
ML	Module length	500 - 2985 mm (others on request)
MW	Module width	BL + 80 mm
P	Roller pitch	60 mm
H	Height	500 - 900 mm (others on request)
a	Angle of rollers	7° / 15.2°



Technical Specifications

Load Capacity	30 – 150 kg/m
Belt Material	PVC (Polyvinyl Chloride)
Belt Thickness	2 – 5 mm
Frame Structure	Aluminum Profile / Steel Construction
Drive Type	Drum Motor or Geared Motor
Speed Range	5 – 30 m/min
Belt Color	Green / White / Black



Dimensions		
BL	Clear width	300 – 1000 mm (others on request)
ML	Module length	Customizable
MW	Module width	BL + 180 mm

MetaRoller Conveyor Systems

REFERENCES



CE

EINCERT Quality Certificates



Get in Touch / Contact Us
Scan Here to Visit Our Website



<https://www.metaroller.com>

For inquiries, project consultation, or product information:

Metaroller Makina Otomasyon ve Konveyör Sistemleri San Tic Ltd Şti

İkitelli OSB Mahallesi, Demirciler Sanayi Sitesi, C3 Blok No: 224/B, Başakşehir / İstanbul, Türkiye
+90 212 485 80 71 • +90 530 326 84 62 • info@metaroller.com • www.metaroller.com