

HYDRAULIC BOX DUMPER

Lift and Dump

Smart Solutions To Keep You Moving!

Ensign is an industry leader in controlled dumping technology.

From standard products to automated systems, our full line of dumpers are designed to move your materials from bulk containers to your processing systems efficiently and effectively.

Constructed from mild or stainless steel, our equipment is offered in several sizes, capacities and options to meet the spectrum of process requirements.

Ensign dumpers are built with pride using only high quality components and designed for years of trouble-free operation. If you should ever need it, superior customer service is immediately available from the Ensign Service Team. Most parts are in stock and available to ship same day.

Key features:

- Heavy duty steel I-beam frame
- Ground entry loading
- 2500lbs lift capacity (standard)
- Parker hydraulics
- Allen Bradley and Hoffman electrical components
- Dual hydraulic tilt cylinders, 2" bore, 24" stroke
- 3" cylinder and heavy duty dual chain lift assist system
- IPTCI replaceable 2" main pivot bearings
- Industry leading two year warranty on all parts and workmanship

See back page for additional options and specifications.



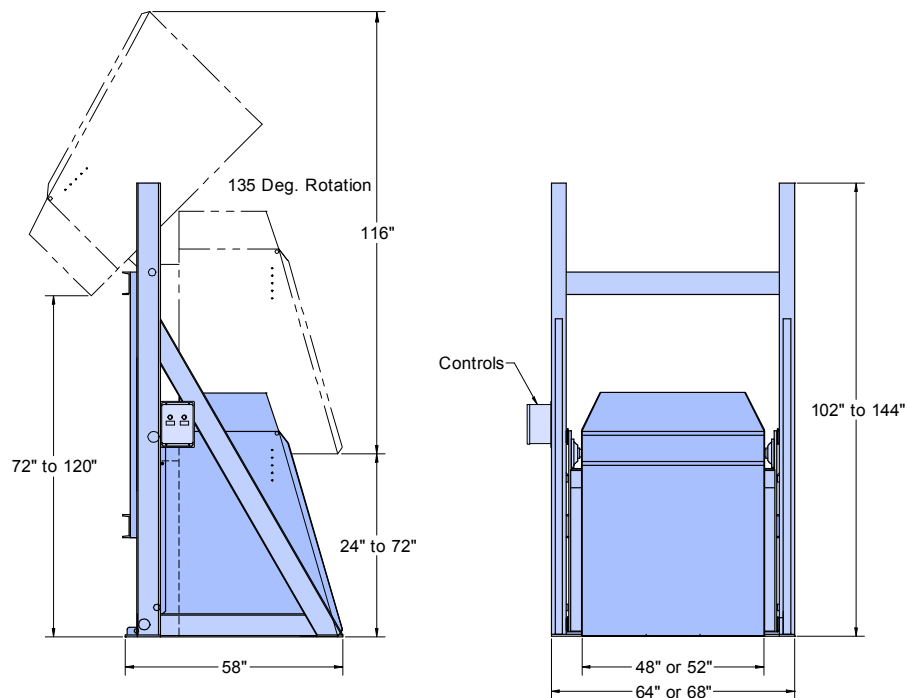
Hydraulic Box Dumper - Lift and Dump

Standard Features:

- Ground entry loading
- 135 degree bucket rotation
- Dual hydraulic tilt cylinders, 2" bore, 24" stroke
- Dual acting hydraulics
- Hydraulic velocity fuse for added safety
- Remote hydraulic power pack
- NEMA 12 control panel w/ momentary up / down push buttons
- Up cycle complete limit switch
- Roller type pivot bearings for high cycle operations
- Adjustable retaining bar
- Ensign Blue industrial epoxy

Optional Features:

- Auto / manual controls
- Quick release retainer bar
- Side load / dump available
- Custom bucket widths, sizes & capacities
- Work platforms
- Faster cycle times
- Floor grates
- Auto seal lids
- Safety cages
- Dust hoods and special discharge gates
- Stainless steel bucket, chutes and liners
- UHMW protective liners
- Over travel hard stop



Model No.	Description	Dump Height	Bucket Width	Lift / lbs
39-2000	Lift and Dump	66" - 90"	48"	2500
39-2500	Lift and Dump	91" - 114"	48"	2500
39-3000	Lift and Dump	115" - 138"	48"	2500
39-3500	Lift and Dump	139" - 162"	48"	2500
39-4000	Lift and Dump	163" - 186"	48"	2500

Standard models listed above. Other sizes, widths and capacities available.

ENSIGN EQUIPMENT INC.
12523 Superior Court
Holland, MI 49424

ph: 616.738.9000 (or) 800.753.8947
fax: 616.738.9001

www.ensigneq.com
sales@ensigneq.com

