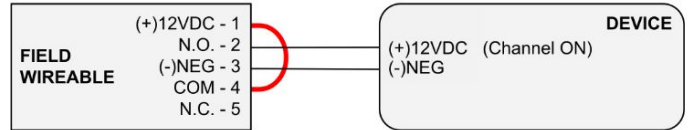
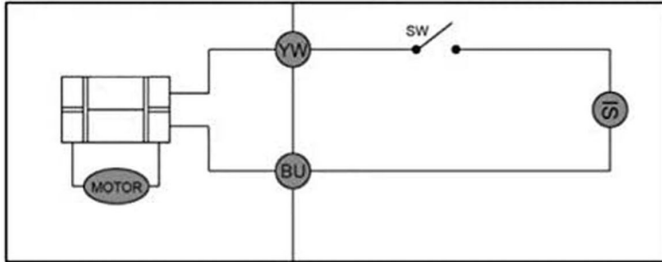


Valve Wiring Instructions

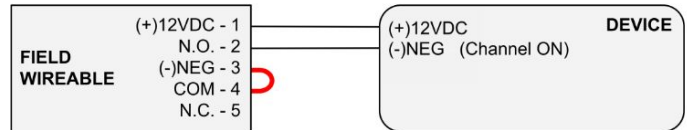
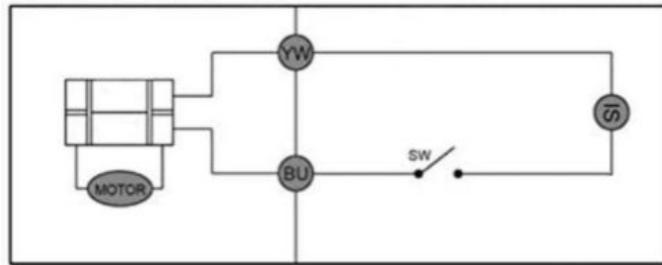
2 Wire Auto Return - Positive Switch

2 Wires, Auto Return

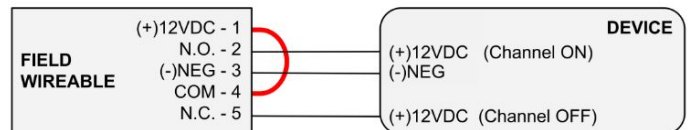
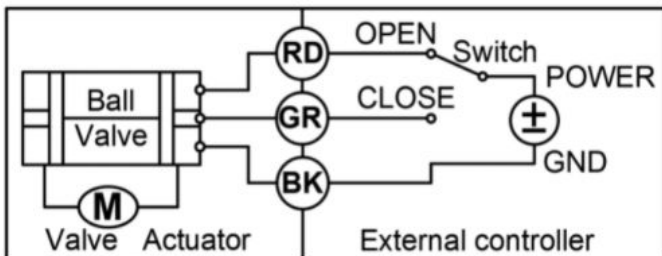


2 Wire Auto Return - Negative Switch

2 Wires, Auto Return

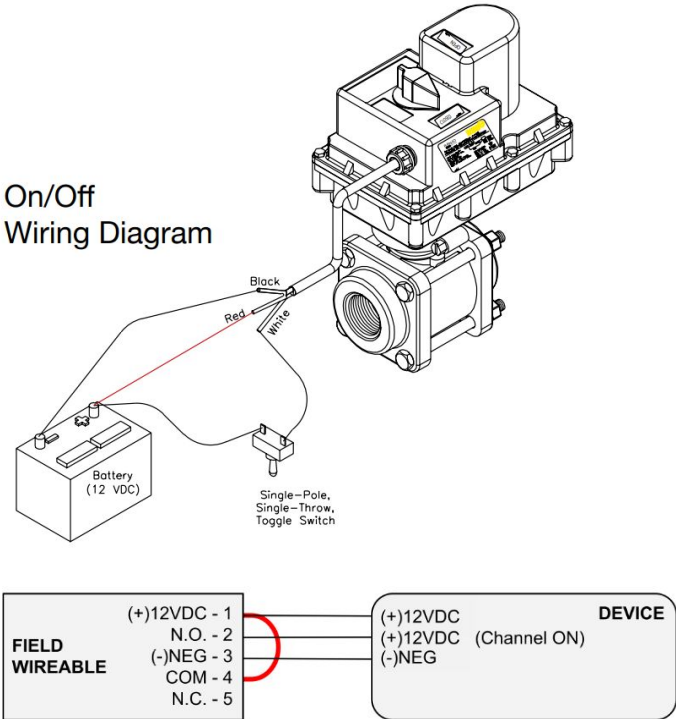


3 Wire - Positive Switching

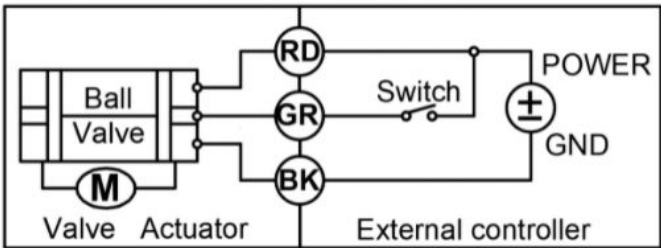
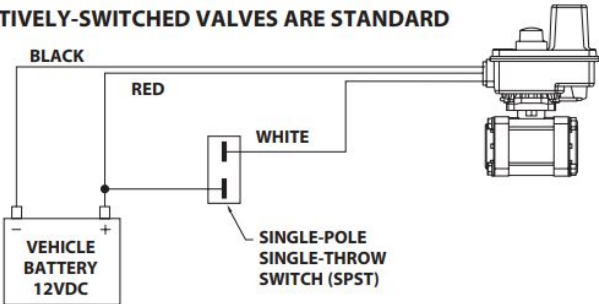


3 Wire - Positive Switch

On/Off
Wiring Diagram



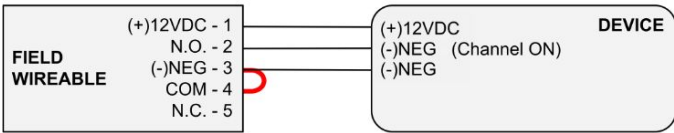
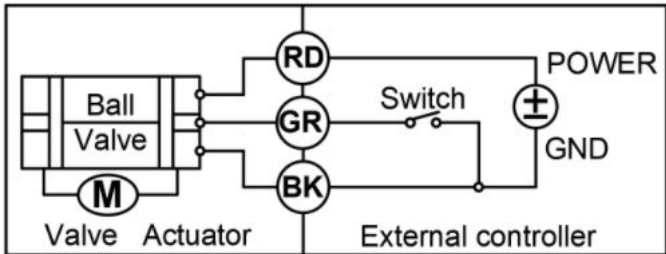
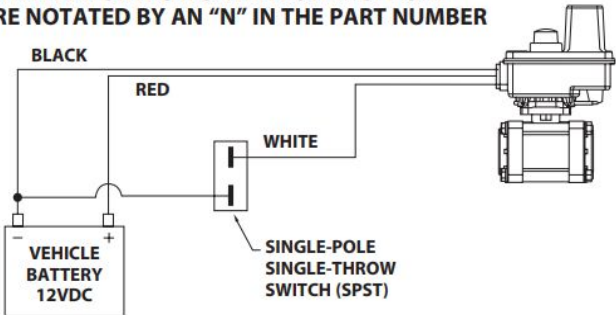
**POSITIVELY-SWITCHED
BEC SHUTOFF MOTORS**
POSITIVELY-SWITCHED VALVES ARE STANDARD



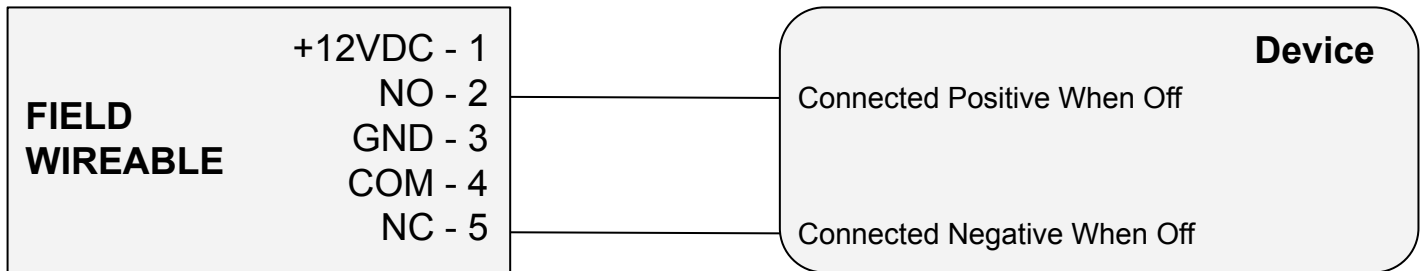
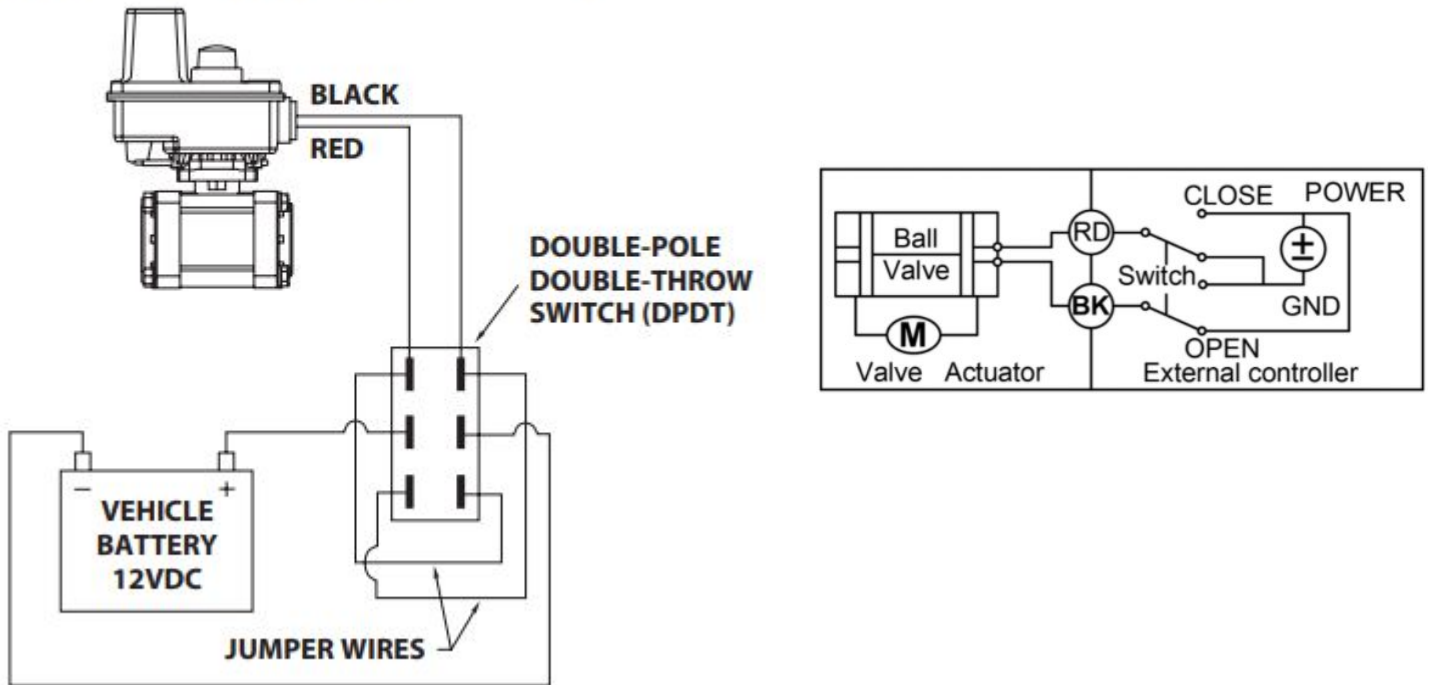
The SCM-800US is a constant switch control method, it does not function as a momentary switch, required for some regulated valves.

3 Wire - Negative Switch

**NEGATIVELY-SWITCHED
BEC SHUTOFF MOTORS**
NEGATIVELY-SWITCHED VALVES ARE SPECIAL
AND ARE NOTATED BY AN "N" IN THE PART NUMBER



2 Wire - Flip Flop



This Set-Up Requires a Flip Flop Module: SCC-200FF

