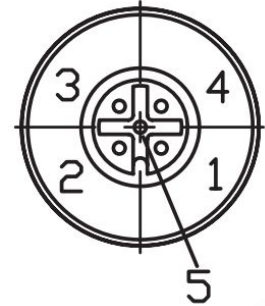


Product Description

This field wireable plug allows the user to connect items like valves and relays to an applicable SCS controller. Comes in two sizes one being for small diameter cable PG7 0.16-0.24" (4-6mm) and the other for larger cable PG9 0.24-0.31" (6-8mm).

Pin Layout

There are 5 pins for each channel on the SCM-800US. With a maximum capacity of 4 amps per channel. A jumper wire is included for use to connect COMMON to either (+)12VDC or (-)NEGATIVE . Refer to wiring diagrams on next page. Strip cable 3/4" (20mm) and wires 3/16" (5mm)



#1: (+)12VDC

- Provides constant battery voltage when the controller is powered on.

#2: N.O. (Normally Open)

- Is connected to the Common wire when the channel is ON.

#3: (-)NEGATIVE

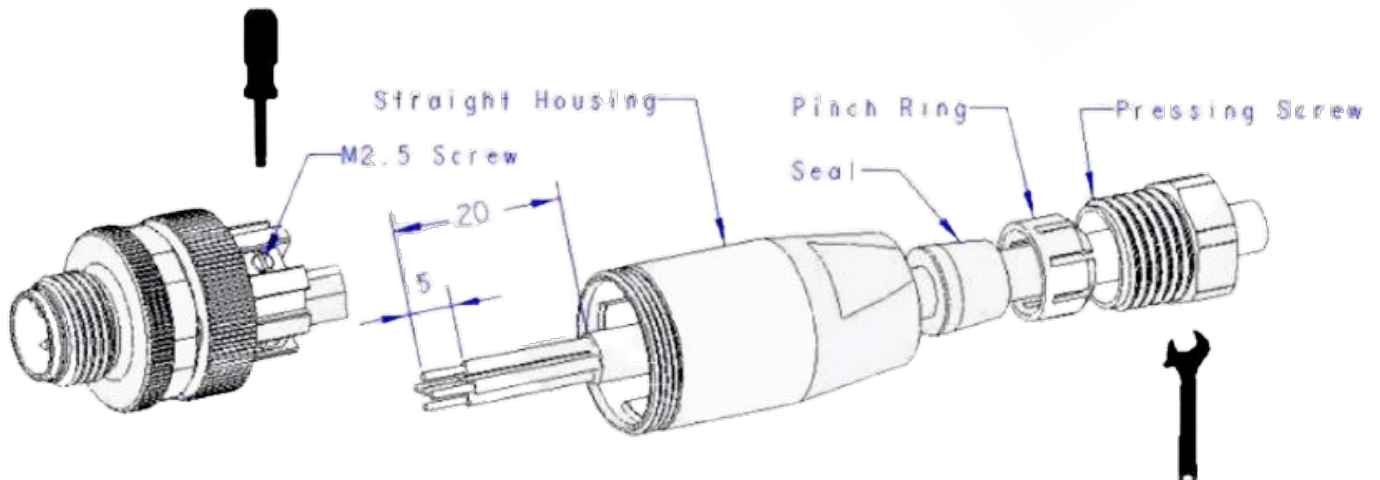
- Provides constant connection to the battery negative side.

#4: COMMON

- Is connected to Normally Closed when channel is OFF, and is connected to Normally Open when the channel is ON.

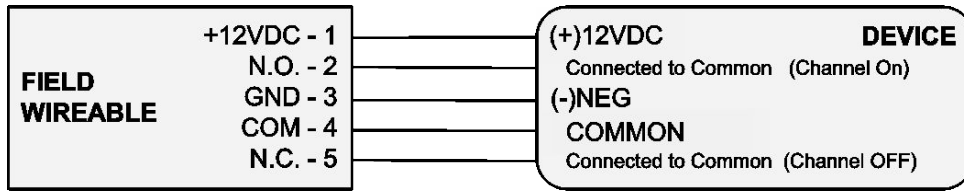
#5: N.C. (Normally Closed)

- Is connected to the Common wire when the channel is OFF.



**Simplified Control Solutions, LLC
Indianapolis, IN 46218**

**Visit our website at: www.SimConSol.com
Email our technical support at: Support@SimConSol.com**



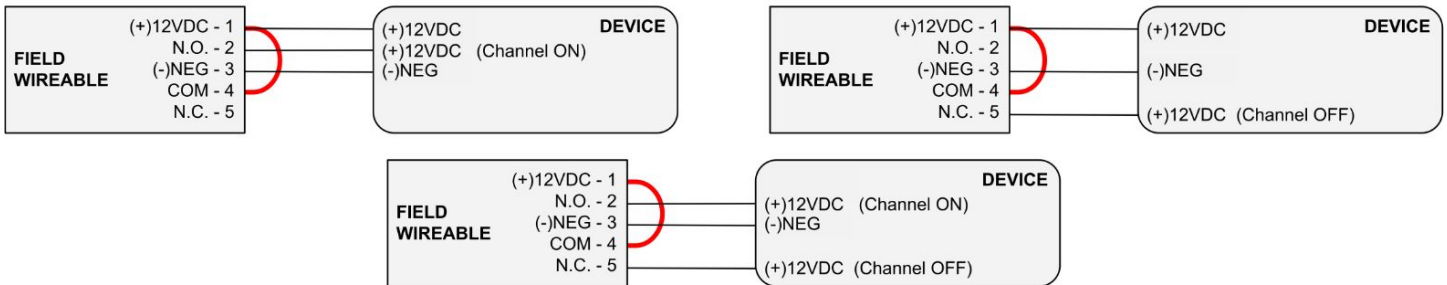
2-Wire Positive Set-Up



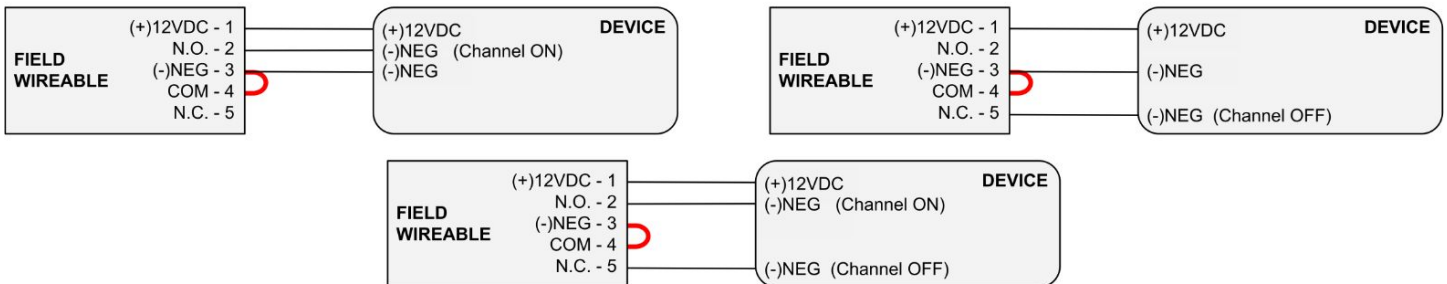
2-Wire Negative Set-Up



3-Wire Positive Set-Up



3-Wire Negative Set-Up



4-Wire Set-Up

