



20kW¹ STANDBY GENERATOR

CORROSION RESISTANT

BRIGGS & STRATTON® THE SMART CHOICE

For the discerning homeowner that is looking for the smartest, most reliable permanent backup power solution.

FORTRESS™

Corrosion Resistant Enclosure & Base

- Rust resistant aluminum and a stainless steel base to protect the generator from the elements. Robust protection against damage from the elements caused by strong winds, high humidity and salt air.
- Powder-coated paint for years of protection against chips and abrasions
- Certified to withstand hurricane-force winds up to 175 mph



Unique Airflow Technology

- Making these models 50% quieter than most portable generators
- The unique design pushes engine exhaust out the front, directly away from your home

Symphony® II Power Management System

- Customizable to your home's needs
- Automatically balances the power of your home's electrical load including high wattage items like air conditioning units and electric ovens
- Offers whole house power with a more affordable home generator

Commercial-Grade Briggs & Stratton Vanguard™ Engine

- Powerful V-Twin OHV engine
- Easy conversion between natural gas (NG) and liquid propane gas (LP) during installation

Quality Clean Power

- Ensures your electronics are safely powered

Flexible Placement

- Approved for installation as close as 18" to a building²



GENERATOR SET RATINGS

MODEL	VOLTAGE	PHASE	HZ	BREAKER	LIQUID PROPANE GAS		NATURAL GAS		LIMITED WARRANTY ³
					LP kW	LP AMPS	NG kW	NG AMPS	PARTS, LABOR, TRAVEL
Fortress 040573	120/240	1	60	100	20	83.3	18	75	6 Year
Briggs & Stratton 040574	120/240	1	60	100	20	83.3	18	75	5 Year

¹ This generator is rated in accordance with UL (Underwriters Laboratories) 2200 (stationary engine generator assemblies) and CSA (Canadian Standards Association) standard C22.2 No. 100-14 (motors and generators).

² The installation manual contains specific instructions related to generator placement in addition to NFPA 37, including the requirement that carbon monoxide detectors be installed and maintained in your home.

³ Warranty details available at www.briggsandstratton.com



ENGINE SPECIFICATIONS

ENGINE	
Engine Model	Briggs & Stratton Vanguard™
Engine Model Type Trim Number	613275-0003-E1
Engine Speed (RPM)	3600
Engine Fuel	Liquid Propane (LP) or Natural Gas (NG)
Engine Cylinder Configuration	OHV
Number of Cylinders	2
Displacement (cc)	60.6 / 993
Bore & Stroke (in)	3.37 / 3.41
Compression Ratio	8.5:1
Governor Type	Electronic
Frequency Regulation	+/- 1%
Valves	OHV with Hardened Seats
Ignition System	Fixed timing Magnatron® Electric Ignition
Starter Motor Rating Voltage	12 Volt
Battery	12 Volt

LUBRICATION	
Oil Capacity (oz)	79
Lubrication System	Full Pressure
Recommended Oil	5W30 Full Synthetic
Low Oil Pressure Sensor	Yes

ALTERNATOR SPECS	
Manufacturer	Briggs & Stratton
Type	Self-Excited, Rotation Field
Voltage Regulator	Automatic
Insulation	Class F

CONTROLLER FEATURES	
Hour Meter	Yes
LED Digital Display	Yes
Fault Code Display	Yes
Weekly Exerciser	Yes

OPERATIONS

	FUEL CONSUMPTION ¹			
	50% Load		100% Load	
Liquid Propane	83 ft ³ / hr	2.31 gal / hr	135 ft ³ / hr	3.75 gal / hr
Natural Gas	187 ft ³ / hr	—	260 ft ³ / hr	—

SOUND RATING AT 7 METERS PER ISO 3744
64dB(A)
<small>Lowest measurement of 12 microphones around generator. Sound level measurement at other locations around generator may be different depending upon installation configuration.</small>

¹ Fuel consumption rates are estimated based on normal operating conditions. Generator operation may be greatly affected by elevation and the cycling operation of multiple electrical appliances – fuel flow rates may vary depending on these factors.



ADDITIONAL INFORMATION

OTHER FEATURES

Enclosure Material	Aluminum with Corrosion Resistant Paint
Overcrank Protection	Yes
Engine Warm Up (sec)	20 or 50 Automatic Transfer Switch Controlled
Engine Cool Down (min)	1
Response Time (sec)	26 or 56 Automatic Transfer Switch Controlled
Monitoring Options (Only available with optional monitoring kits)	Basic Wireless Monitor InfoHub™ Monitor
Continuous Battery Charging	Yes

WEIGHT AND DIMENSIONS

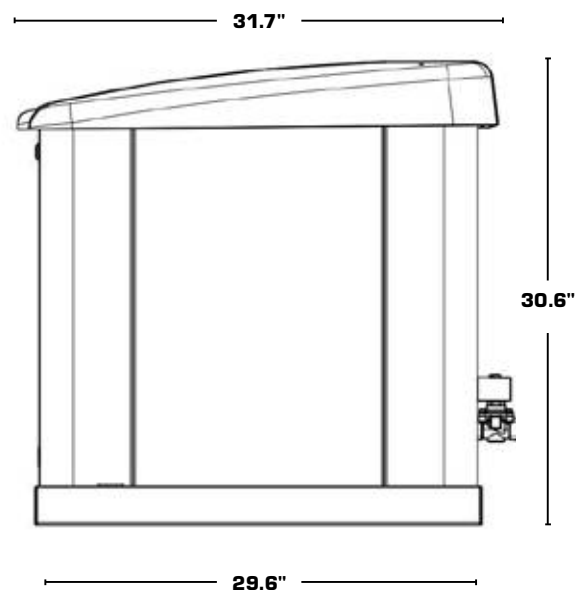
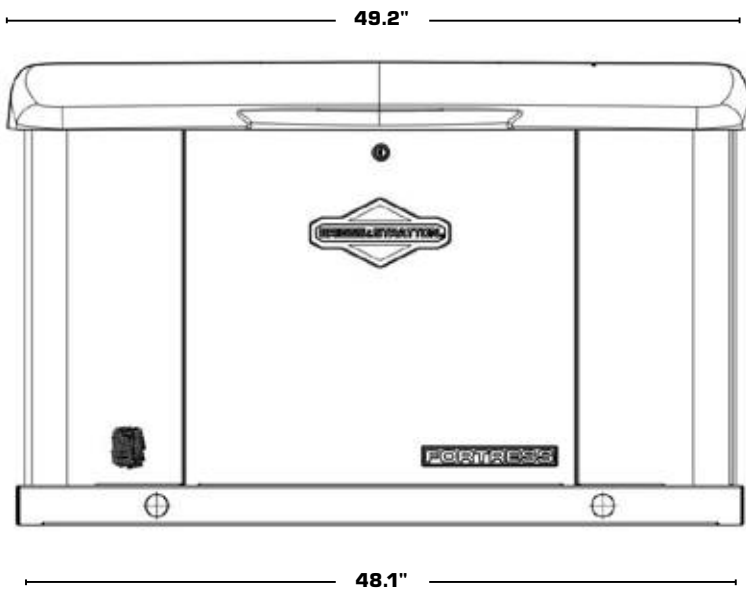
Assembled Weight (lbs)	443
Overall Dimensions (in)	49.2 x 31.7 x 30.6
Packaged Weight (lbs)	588
Packaged Dimensions (in)	68.1 x 41 x 39.5

CERTIFICATION

CARB Compliant	Yes
NFPA Approved	Yes
cUL Listed to CSA 22.2 NO 100-04	Yes
NEMA Compliant	Yes
EPA Certified Fuel System	Yes

AVAILABLE ACCESSORIES

Maintenance Kit	6035
Cold Weather Kit	Fortress 6404
	Briggs & Stratton 6231
Basic Wireless Monitor	6276
InfoHub	6260
Remote Status Monitor	6144





FUEL PIPE SIZE RECOMMENDATION CHART (CAPACITY IN THOUSANDS OF BTU/HOUR)

Natural Gas/Inlet Pressure less than 2 PSI/ Pressure drop .5" w.c./ Specific Gravity 0.60

	1/2" pipe capacity	3/4" pipe capacity	1" pipe capacity	1-1/4" pipe capacity	1-1/2" pipe capacity	2" pipe capacity
20' Length*	118	247	466	957	1,430	2,760
40' Length*	81	170	320	657	985	1,900
60' Length*	65	137	257	528	791	1,520
80' Length*	56	117	220	452	677	1,300
100' Length*	50	104	195	400	600	1,160

Liquid Propane / Inlet Pressure 11" Water Column / Pressure Drop 0.5" Water Column / Specific Gravity 1.50

	1/2" pipe capacity	3/4" pipe capacity	1" pipe capacity	1-1/4" pipe capacity	1-1/2" pipe capacity	2" pipe capacity
20' Length*	200	418	788	1,617	2,423	4,666
40' Length*	137	287	541	1,111	1,665	3,207
60' Length*	110	231	435	892	1,337	2,575
80' Length*	94	198	372	764	1,144	2,204
100' Length*	84	175	330	677	1,014	1,954

*Total length of piping from outlet of regulator to appliance furthest away.

ADDITIONAL INFORMATION

TRANSFER SWITCH SPECIFICATIONS

Prewired 16 Circuit	100 AMP	Model #071076
Standard 16 Circuit	100 AMP	Model # 071047
Symphony® II	100 AMP	Model # 071071
Symphony® II	150 AMP	Model # 071070
Symphony® II	200 AMP	Model # 071068
Symphony® II Dual 200 Amp	2x200/400	Model # 071057
Voltage Rating	120/240	
Number of Protected Circuits	Select Circuit: 16 Symphony® II: Whole House	
UL Approved	Yes	
NEMA 3R Rated	Yes	

SUPPORT EVERY STEP OF THE WAY

NEED HELP? Just call 386-774-1418
Our technical support team is trained to answer questions on our generators, transfer switches and accessories.

CALL TODAY FOR A FREE IN-HOME ESTIMATE!

386-774-1418

Disclaimer: Not for Prime Power or use where standby systems are legally required, for serious life safety or health hazards, or where lack of power hampers rescue of fire-fighting operations.

BRIGGS & STRATTON

BRIGGS & STRATTON CORPORATION
POST OFFICE BOX 702
MILWAUKEE, WI 53201 USA
Copyright ©2017. All rights reserved. BS1070 - 2/17