

DAIKIN



OPERATION MANUAL

VRV SYSTEM Inverter Air Conditioners

MODEL

Ceiling Suspended type

FXHQ12MVJU

FXHQ24MVJU

FXHQ36MVJU

Read these instructions carefully before installation.
Keep this manual in a handy place for future reference.
This manual should be left with the equipment owner.

SAFETY CONSIDERATIONS

Please read these "SAFETY CONSIDERATIONS" carefully before installing air conditioning equipment and be sure to install it correctly. After completing the installation, make sure that the unit operates properly during the start-up operation. Please instruct the customer on how to operate the unit and keep it maintained.

Also, inform customers that they should store this operation manual along with the installation manual for future reference. This air conditioner comes under the term "appliances not accessible to the general public".

Meaning of danger, warning, caution and note symbols.

⚠ DANGERIndicates an imminently hazardous situation which, if not avoided, will result in death or serious injury.

⚠ WARNINGIndicates a potentially hazardous situation which, if not avoided, could result in death or serious injury.

⚠ CAUTIONIndicates a potentially hazardous situation which, if not avoided, may result in minor or moderate injury. It may also be used to alert against unsafe practices.

⚠ NOTEIndicates situation that may result in equipment or property-damage-only accidents.

Keep these warning sheets handy so that you can refer to them if needed.

Also, if this equipment is transferred to a new user, make sure to hand over this operation manual to the new user.

⚠ DANGER

- **Do not install the unit in an area where flammable materials are present due to risk of explosion resulting in serious injury or death.**
- **Any abnormalities in the operation of the air conditioner such as smoke or fire could result in severe injury or death.** Turn off the power and contact your dealer immediately for instructions.
- **Refrigerant gas may product toxic gas if it comes in contact with fire such as from a fan, heater, stove, or cooking device. Exposure to this gas could cause severe injury or death.**
- **For refrigerant leakage, consult your dealer.** Refrigerant gas is heavier than air and replaces oxygen. A massive leak could lead to oxygen depletion, especially in basements, and an asphyxiation hazard could occur leading to serious injury or death.
- **If equipment utilizing a burner is used in the same room as the air conditioner, there is the danger of oxygen deficiency which could lead to an asphyxiation hazard resulting in serious injury or death.** Be sure to ventilate the room sufficiently to avoid this hazard.
- **Safely dispose of the packing materials.** Packing materials, such as nails and other metal or wooden parts, may cause stabs or other injuries. Tear apart and throw away plastic packaging bags so that children will not play with them. Children playing with plastic bags face the danger of death by suffocation.

⚠ WARNING

- **It is not good for your health to expose your body to the air flow for a long time.**
- **Ask your dealer for installation of the air conditioner.** Incomplete installation performed by yourself may result in a water leakage, electric shock, and fire.
- **Ask your dealer for improvement, repair, and maintenance.** Incomplete improvement, repair, and maintenance may result in a water leakage, electric shock, and fire.
- **Improper installation or attachment of equipment or accessories could result in electric shock, short-circuit, leaks, fire or other damage to the equipment. Be sure only to use accessories made by Daikin which are specifically designed for use with the equipment and have them installed by a professional.**
- **Ask your dealer to move and reinstall the air conditioner.** Incomplete installation may result in a water leakage, electric shock, and fire.
- **Never let the indoor unit or the remote controller get wet.** It may cause an electric shock or a fire.
- **Never use flammable spray such as hair spray, lacquer or paint near the unit.** It may cause a fire.
- **Never replace a fuse with that of wrong ampere ratings or other wires when a fuse blows out.** Use of wire or copper wire may cause the unit to break down or cause a fire.
- **Never remove the fan guard of the unit.** A fan rotating at high speed without the fan guard is very dangerous.
- **Never inspect or service the unit by yourself.** Ask a qualified service person to perform this work.
- **Cut off all electric waves before maintenance.**
- **To avoid the risk of serious electrical shock, never aprinkle or spill water or liquids on the unit.**
- **Operating the air conditioner with wet hands could result in a shock hazard.**
- **Check the unit stand for damage on a continuous basis.** If left in a damaged condition the unit may fall and cause injury.
- **Do not allow children to play on or around the unit as they could be injured.**
- **Placing a flower vase or other containers with water or other liquids on the unit could result in a shock hazard or fire if a spill occurs.**
- **Do not put a finger or other objects into the air inlet or air outlet.** The fan is rotating at high speed and will cause injury.
- **The heat exchanger fins are sharp enough to cut.** To avoid injury wear gloves or cover the fins while working around them.
- **Do not touch the air outlet or the horizontal flaps while the swing flap is in operation as fingers may get caught and injured.**
- **Be sure to install an earth leakage breaker.** Failure to install an earth leakage breaker may result in electric shocks, or fire.
- **Never touch the internal parts of the controller.** Do not remove the front panel because some parts inside are dangerous to touch. In addition, some parts may be damaged. For checking and adjusting internal parts, contact your dealer.



CAUTION

- **Do not use the air conditioner for other purposes.**
In order to avoid any quality deterioration, do not use the unit for cooling precision instruments, food, plants, animals or works of art.
- **Do not place items under the indoor unit which may be damaged by water.**
Condensation may form if the humidity is above 80%, or if the drain outlet gets blocked.
- **Avoid placing the controller in a spot splashed with water.**
Water coming inside the machine may cause an electric leak or may damage the internal electronic parts.
- **Do not operate the air conditioner when using a room fumigation - type insecticide.**
Failure to observe could cause the chemicals to become deposited in the unit, which could endanger the health of those who are hypersensitive to chemicals.
- **Do not turn off the power immediately after stopping operation.**
Always wait at least five minutes before turning off the power. Otherwise, water leakage and trouble may occur.
- **The appliance is not intended for use by young children or infirm persons without supervision.**
- **The remote controller should be installed in such away that children cannot play with it.**
- **Consult with installation contractor for cleaning the inside of the air conditioner.**
Wrong cleaning may make the plastics parts broken or cause failure of water leakage or electric shock.
- **Do not touch the air inlet or aluminium fin of the air conditioner.**
Otherwise, injury may be caused.
- **Do not place objects in direct proximity of the outdoor unit and do not let leaves and other debris accumulate around the unit.**
Leaves are a hotbed for small animals which can enter the unit. Once in the unit, such animals can cause malfunctions, smoke or fire when making contact with electrical parts.



NOTE

- **Never press the button of the remote controller with a hard, pointed object.**
The remote controller may be damaged.
- **Never pull or twist the electric wire of the remote controller.**
It may cause the unit to malfunction.
- **Do not place appliances which produce open fire in places exposed to the air flow from the unit or under the indoor unit. It may cause incomplete combustion or deformation of the unit due to the heat.**
- **Arrange the drain hose to ensure smooth drainage. Incomplete drainage may cause wetting of the building, furniture etc.**
- **Do not place the controller exposed to direct sunlight.**
The LCD display may get discolored, failing to display the data.
- **Do not wipe the controller operation panel with benzene, thinner, chemical dustcloth, etc.**
The panel may get discolored or the coating peeled off. If it is heavily dirty, soak a cloth in water-diluted neutral detergent, squeeze it well and wipe the panel clean. And wipe it with another dry cloth.

- **Dismantling of the unit, treatment of the refrigerant, oil and eventual other parts, should be done in accordance with the relevant local and national regulations.**
- **Do not dry the filter by exposing it to direct sunlight or warming it using fire, etc. Doing so can result in the deformation of the filter.**

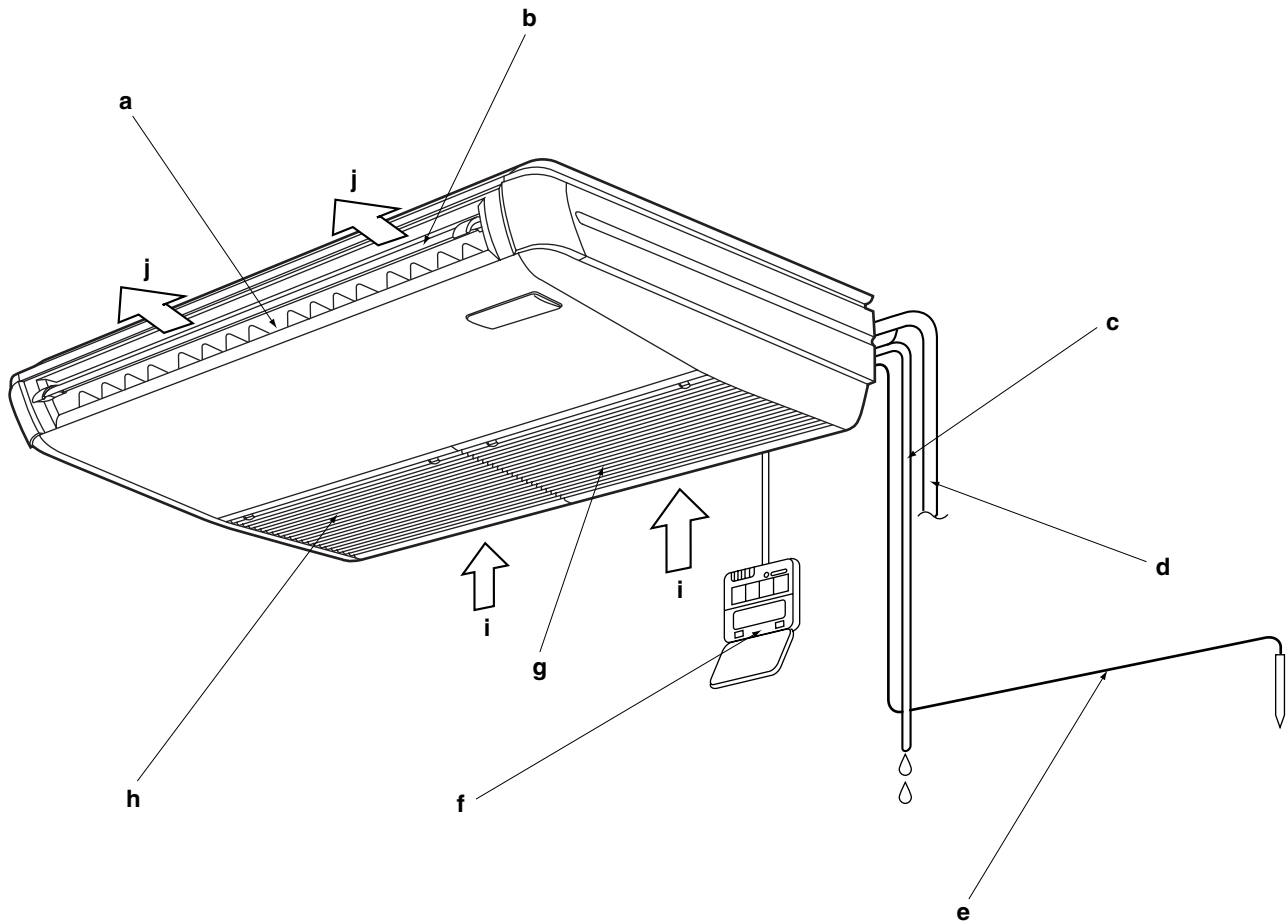


Fig. 1

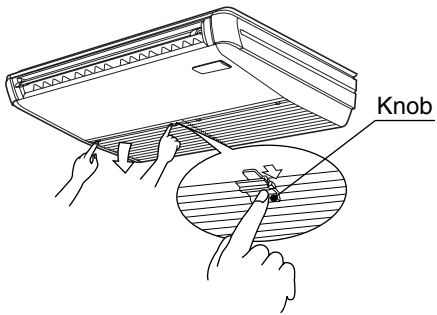


Fig. 2

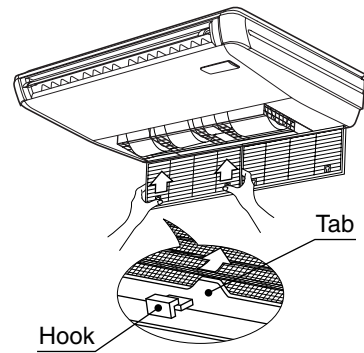


Fig. 3

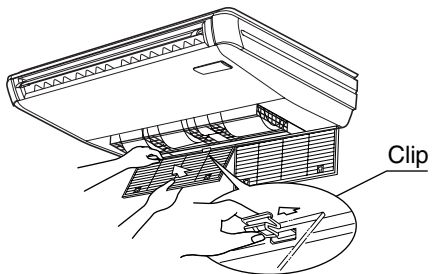


Fig. 4

NAME OF PARTS

Refer to Fig. 1 on page 4


- a. Air outlet
- b. Air flow flap (at air outlet)
- c. Drain pipe
- d. Refrigerant pipe
Connection electric wire
- e. Ground wire
Wire from the unit into the ground to prevent electric shock.
- f. Remote controller
- g. Suction grille (Air inlet)
- h. Air filter (inside suction grille)
- i. Inlet air
- j. Discharge air

MAINTENANCE (FOR SERVICE PERSONNEL)

IMPORTANT!

- THIS AIR CONDITIONER COMES UNDER THE TERM “APPLIANCES NOT ACCESSIBLE TO THE GENERAL PUBLIC”.
- ONLY A QUALIFIED SERVICE PERSON IS ALLOWED TO PERFORM MAINTENANCE.
- BEFORE OBTAINING ACCESS TO TERMINAL DEVICES, ALL POWER SUPPLY CIRCUITS MUST BE INTERRUPTED.
- DO NOT USE WATER OR AIR OF 120°F OR HIGHER FOR CLEANING AIR FILTERS AND OUTSIDE PANELS.

HOW TO CLEAN THE AIR FILTER

Clean the air filter when the display shows “” (TIME TO CLEAN AIR FILTER).

Increase the frequency of cleaning if the unit is installed in a room where the air is extremely contaminated.

If the dirt becomes impossible to clean, change the air filter. (Air filter for exchange is optional.)

1. Open the suction grille.

Slide knobs (x2) simultaneously as shown and then pull them downward. (Do the same procedure for closing.)

(Refer to Fig. 2)

2. Remove the air filters.

Push the 2 tabs up, and remove slowly lower the air filter. (Refer to Fig. 3)

3. Clean the air filter.

Use vacuum cleaner **A**) or wash the air filter with water **B**).

A) Using a vacuum cleaner (Do not use air of 120°F or higher.)



B) Washing with water

When the air filter is very dirty, use soft brush and neutral detergent. (Do not use water of 120°F or higher.)

Remove water and dry in the shade.



4. Fix the air filter

Set the tab of the air filter to the hook of the suction grille, and fix the air filter. (By the method opposite to removing.)

5. Shut the suction grille by the method opposite to opening.

6. Press the FILTER SIGN RESET BUTTON on the remote controller.

The display “” (TIME TO CLEAN AIR FILTER) vanishes.

NOTE

- Do not remove the air filter except when cleaning.
- Unnecessary handling may damage the filter.
- Do not use water or air of 120°F or higher for cleaning air filters and outside panels.

HOW TO CLEAN AIR OUTLET AND OUTSIDE PANELS

- Clean with soft cloth.
- When it is difficult to remove stains, use water or neutral detergent.

WARNING

- Do not let the indoor unit get wet as it may cause an electric shock or fire.

NOTE

- Do not use gasoline, benzene, thinner, polishing powder, liquid insecticide. It may cause discoloring or warping.
- Do not scrub firmly when washing the blade with water.
- The surface sealing may peel off.
- Do not use water or air of 120°F or higher for cleaning air filters and outside panels.

HOW TO CLEAN THE SUCTION GRILLE

1. Open the suction grille.

Refer to “HOW TO CLEAN THE AIR FILTER”.

(Refer to Fig. 2)

2. Remove the air filter.

Refer to “HOW TO CLEAN THE AIR FILTER”.

(Refer to Fig. 3)

3. Detach the suction grille.

Pull the clips (x2) on the back of the suction grille forward.

(Refer to Fig. 4)

4. Clean the suction grille.

Wash with a soft bristle brush and neutral detergent or water, and dry thoroughly.



NOTE

- When badly soiled, spray with a typical kitchen cleanser and let sit for about 10 minutes. Then, wash with water.
- Do not wash the suction grille with hot water of more than 120°F, as doing so may result in discoloration and/or deformation.

5. Fix the air filter

Refer to “HOW TO CLEAN THE AIR FILTER”.

6. Attach the suction grille by the method opposite to removing.

7. Shut the suction grille by the method opposite to opening.

DAIKIN U.S. CORPORATION

1645 Wallace Drive, Suite 110
Carrollton, TX 75006

info@daikinac.com
www.daikinac.com

DAIKIN INDUSTRIES, LTD.

Head office:
Umeda Center Bldg., 2-4-12, Nakazaki-Nishi,
Kita-ku, Osaka, 530-8323 Japan

Tokyo office:
JR Shinagawa East Bldg., 2-18-1, Konan,
Minato-ku, Tokyo, 108-0075 Japan

