

## Service Literature

### LGH092H through 152U

The LGH092H, 094U, 102H, 120H, 122U, 150S, 150H and 152U units are configured to order units (CTO) with a wide selection of factory-installed options. Units are available in 130,000, 180,000 Btuh or 240,000 Btuh (38.1, 52.7 or 70.3 kW) heating inputs. Gas heat sections are designed with aluminized steel tube heat exchangers with stainless steel as an option.

Cooling capacities range from 7.5 to 12.5 tons (38.1 to 70.3 kW). All units are equipped with two compressors.

Ultra-high efficiency units are available with an optional direct drive blower or belt drive blower equipped with a supply air inverter. Standard and high efficiency units are available with a belt drive blower equipped with an optional supply air inverter. The blower will operate at lower speeds when demand is low and increase to higher speeds when demand is high.

The following examples show the model numbers of ten-ton units with all available blower options:

- LGH120H4B High Efficiency Belt Drive
- LGH120H4M High Efficiency Belt Drive with Inverter
- LGH122U4M Ultra High Efficiency Belt Drive with Inverter
- LGH122U4E Ultra High Efficiency Direct Drive

*Note - Ten-ton units are available in high and ultra high efficiencies only.*

Standard and high efficiency units come standard with a lightweight, all-aluminum condenser coil; optional, fin/tube condenser coils are available. Ultra-high efficiency units come standard with a tube/fin condenser coil.

Ultra high efficiency units come standard with two single-speed compressors plumbed in tandem to form a single refrigerant circuit.

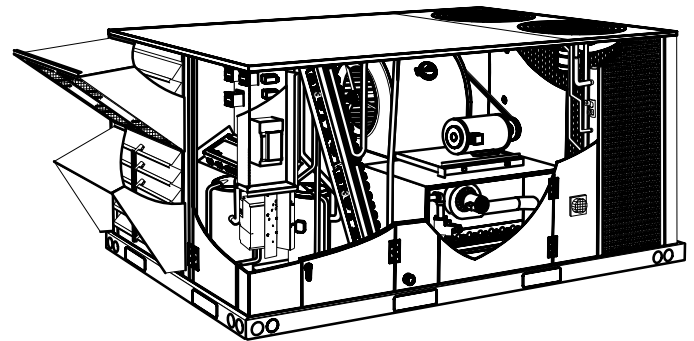
Units are also designed for R410A refrigerant. See unit nameplate. Operating pressures and pressure switch settings are significantly higher than R22 charged units. Service equipment must be rated for R410A.

Standard and high efficiency units offer mechanical cooling down to 0°F when properly equipped. Ultra-high efficiency units offer mechanical cooling down to 40°F.

All LGH units are designed to accept any of several different energy management thermostat control systems with minimum field wiring. Factory or field provided control options connect to the unit with jack plugs. When "plugged in" the controls become an integral part of the unit wiring.

Information contained in this manual is intended for use by qualified service technicians only. All specifications are subject to change. Procedures outlined in this manual are presented as a recommendation only and do not supersede or replace local or state codes.

If the unit must be lifted for service, rig unit by attaching four cables to the holes located in the unit base rail (two holes at each corner). Refer to the installation instructions for the proper rigging technique.



### Table of Contents

Options / Accessories .....	Page 2
Specifications .....	Page 8
Blower Tables .....	Page 14
Electrical Data .....	Page 19
Parts Arrangement .....	Page 25
I-Unit Components .....	Page 28
II-Placement and Installation .....	Page 47
III-Charging .....	Page 47
IV-Start Up - Operation .....	Page 55
V-System Service Checks .....	Page 57
High Altitude .....	Page 59
VI-Maintenance .....	Page 59
VII-Accessories .....	Page 60
VIII-Belt Drive Supply Air Inverter .....	Page 67
IX-Direct Drive Supply Air Blower .....	Page 70
X-Staged Supply Air Operation .....	Page 71
XI-Wiring and Operation Sequence .....	Page 72

## ⚠ WARNING

Improper installation, adjustment, alteration, service or maintenance can cause property damage, personal injury or loss of life. Installation and service must be performed by a licensed professional HVAC installer or equivalent, service agency, or the gas supplier

## ⚠ CAUTION

As with any mechanical equipment, contact with sharp sheet metal edges can result in personal injury. Take care while handling this equipment and wear gloves and protective clothing.

## OPTIONS / ACCESSORIES

Item Description	Model Number	Catalog Number	Unit Model No			
			092	102	120	150
<b>COOLING SYSTEM</b>						
Condensate Drain Trap	PVC - C1TRAP20AD2	76W26	OX	OX	OX	OX
	Copper - C1TRAP10AD2	76W27	OX	OX	OX	OX
Conventional Fin/Tube Condenser Coil (replaces Environ™ Coil System)		Factory	O	O	O	
Corrosion Protection		Factory	O	O	O	O
Drain Pan Overflow Switch	E1SNSR71AD1	68W88	OX	OX	OX	OX
Refrigerant Type		R-410A	O	O	O	O
Service Valves (not for Environ™ Coil System or Humiditrol® equipped units)		Factory	O	O	O	O
<b>HEATING SYSTEM</b>						
Bottom Gas Piping Kit	C1GPKT01B-01	54W95	OX	OX	OX	OX
Combustion Air Intake Extensions	T1EXTN10AN1	19W51	X	X	X	X
Gas Heat Input	130,000 Btuh	Factory	O	O	O	O
	180,000 Btuh	Factory	O	O	O	O
	240,000 Btuh	Factory	O	O	O	O
Low Temperature Vestibule Heater	208/230V-3ph - C1LTVH10B-2Y	13X63	OX	OX	OX	OX
	460V - C1LTVH10B-2G	13X64	OX	OX	OX	OX
	575V - C1LTVH10B-2J	13X65	OX	OX	OX	OX
LPG/Propane Conversion Kits	Standard Heat - C1PROP23BS1	14N22	X	X	X	X
	Medium Heat - C1PROP22BS1	14N23	X	X	X	X
	High Heat - C1PROP21BS1	14N25	X	X	X	X
Stainless Steel Heat Exchanger		Factory	O	O	O	O
Vertical Vent Extension Kit	C1EXTN2021	42W16	X	X	X	X
<b>BLOWER - SUPPLY AIR</b>						
Blower Option	CAV (Constant Air Volume)	Factory	O	O	O	O
	MSAV® (Multi-Stage Air Volume) supply air blower option (With VFD Bypass Control)	Factory	O	O	O	O
	MSAV® (Multi-Stage Air Volume) supply air blower option (Without VFD Bypass Control)	Factory	O	O	O	O
Motors - Constant Air Volume (CAV)	Belt Drive (standard efficiency) - 2 hp	Factory	O	O	O	O
	Belt Drive (standard or high efficiency) - 3 hp	Factory	O	O	O	O
	Belt Drive (standard efficiency) - 5 hp	Factory	O	O	O	O
Motors - MSAV® Multi-Stage Air Volume	Belt Drive (standard efficiency) - 2 hp	Factory	O	O	O	O
	Belt Drive (standard efficiency) - 3 hp	Factory	O	O	O	O
	Belt Drive (standard efficiency) - 5 hp	Factory	O	O	O	O
Drive Kits	Kit #1 590-890 rpm	Factory	O	O	O	O
See Blower Data Tables for selection	Kit #2 800-1105 rpm	Factory	O	O	O	O
	Kit #3 795-1195 rpm	Factory	O	O	O	O
	Kit #4 730-970 rpm	Factory	O	O	O	O
	Kit #5 940-1200 rpm	Factory	O	O	O	O
	Kit #6 1015-1300 rpm	Factory	O	O	O	O
	Kit #7 730-970 rpm	Factory	O	O	O	O
	Kit #8 940-1200 rpm	Factory	O	O	O	O
	Kit #9 1015-1300 rpm	Factory	O	O	O	O
	Kit #10 900-1135 rpm	Factory	O	O	O	O
	Kit #11 1040-1315 rpm	Factory	O	O	O	O
	Kit #12 1125-1425 rpm	Factory	O	O	O	O
	Blower Belt Auto-Tensioner	Factory	O	O	O	O
<b>CABINET</b>						
Combination Coil/ Hail Guards	Furnish Environ™ Coil System - C1GARD52B-1	13T05	X	X	X	
	Optional Conventional Fin/Tube Condenser Coil - E1GARD51B-1	13T04	X	X	X	
	Furnished Conventional Fin/Tube Condenser Coil System - C1GARD52B-1	13T05				X
Horizontal Discharge Kit	K1HECK00B-1	51W25	X	X	X	X
Return Air Adaptor Plate (for LC/LG/LH and TC/TG/TH unit replacement)	C1CONV10B-1	54W96	OX	OX	OX	OX

NOTE - Catalog and model numbers shown are for ordering field installed accessories.

OX - Configure To Order (Factory Installed) or Field Installed

O = Configure To Order (Factory Installed)

X = Field Installed

## OPTIONS / ACCESSORIES

Item Description	Model Number	Catalog Number	Unit Model No			
			092	102	120	150
<b>CONTROLS</b>						
Blower Proving Switch	C1SNSR35FF1	53W65	OX	OX	OX	OX
Commercial Controls	L Connection® Building Automation System	- - -	X	X	X	X
	Prodigy® Control System - BACnet® Module - C0CTRL60AE1L	<b>59W51</b>	OX	OX	OX	OX
	Prodigy® Control System - LonTalk® Module - C0CTRL65FF1	54W27	OX	OX	OX	OX
	Novar® ETM-2051 - E0CTRL30B1	64W73	OX	OX	OX	OX
	Novar® LSE	Factory	O	O	O	O
Dirty Filter Switch	E1SNSR55B-1	53W67	OX	OX	OX	OX
General Purpose Control Kit	E1GPBK30C1	13J78	X	X	X	X
Fresh Air Tempering	C1SNSR75AD1	58W63	OX	OX	OX	OX
Smoke Detector - Supply or Return (Power board and one sensor)	C1SNSR44B-2	11K76	OX	OX	OX	OX
Smoke Detector - Supply and Return (Power board and two sensors)	C1SNSR43B-2	11K80	OX	OX	OX	OX
<b>INDOOR AIR QUALITY</b>						
Air Filters						
Healthy Climate® High Efficiency Air Filters	MERV 8 - C1FLTR15B-1	50W61	OX	OX	OX	OX
20 x 25 x 2 (Order 4 per unit)	MERV 13 - C1FLTR40B-1	52W41	OX	OX	OX	OX
Replacement Media Filter With Metal Mesh Frame (includes non-pleated filter media)	C1FLTR30B-1-	Y3063	X	X	X	X
Indoor Air Quality (CO <sub>2</sub> ) Sensors						
Sensor - Wall-mount, off-white plastic cover with LCD display	C0SNSR50AE1L	77N39	X	X	X	X
Sensor - Wall-mount, off-white plastic cover, no display	C0SNSR52AE1L	87N53	X	X	X	X
Sensor - Black plastic case with LCD display, rated for plenum mounting	C0SNSR51AE1L	87N52	X	X	X	X
Sensor - Wall-mount, black plastic case, no display, rated for plenum mounting	C0MISC19AE1	87N54	X	X	X	X
CO <sub>2</sub> Sensor Duct Mounting Kit - for downflow applications	C0MISC19AE1-	85L43	X	X	X	X
Aspiration Box - for duct mounting non-plenum rated CO <sub>2</sub> sensors (87N53 or 77N39)	C0MISC16AE1-	90N43	X	X	X	X
UVC Germicidal Lamps						
<sup>1</sup> Healthy Climate® UVC Light Kit (208/230v-1ph)	C1UVCL10B-1	54W62	OX	OX	OX	OX
<b>ELECTRICAL</b>						
Voltage 60 hz	208/230V - 3 phase	Factory	O	O	O	O
	460V - 3 phase	Factory	O	O	O	O
	575V - 3 phase	Factory	O	O	O	O
HACR Circuit Breakers		Factory	O	O	O	O
Disconnect Switch	80 amp - C1DISC080B-1	54W56	OX	OX	OX	OX
	150 amp - C1DISC150B-1	54W57	OX	OX	OX	OX
GFI Service Outlets	15 amp non-powered, field-wired (208/230V, 460V only)	LTAGFIK10/15	74M70	OX	OX	OX
	20 amp non-powered, field-wired (575V only)	C1GFIC120FF1	67E01	OX	OX	OX
Weatherproof Cover for GFI	C1GFIC199FF1	10C89	X	X	X	X
Phase/Voltage Detection (Optional for CAV options only, furnished with MSAV® option)		Factory	O	O	O	O

<sup>1</sup> Lamps operate on 110-230V single-phase power supply. Step-down transformer may be ordered separately for 460V and 575V units. Alternately, 110V power supply may be used to directly power the UVC ballast(s)

NOTE - Catalog and model numbers shown are for ordering field installed accessories.

OX - Configure To Order (Factory Installed) or Field Installed

O = Configure To Order (Factory Installed)

X = Field Installed

## OPTIONS / ACCESSORIES

Item Description	Model Number	Catalog Number	Unit Model No			
			092	102	120	150
<b>ECONOMIZER</b>						
Standard Economizer (Not for Title 24)						
Standard Economizer Downflow or Horizontal - Includes Outdoor Air Hood and Downflow Barometric Relief Dampers with Exhaust Hood Order Horizontal Barometric Relief Dampers separately	E1ECON15B-2	13U46	OX	OX	OX	OX
High Performance Economizer (Approved for California Title 24 Building Standards / AMCA Class 1A Certified)						
High Performance Economizer Downflow or Horizontal - Includes Outdoor Air Hood and Downflow Barometric Relief Dampers with Exhaust Hood Order Horizontal Barometric Relief Dampers separately	E1ECON17B-1	10U59	OX	OX	OX	OX
Horizontal Barometric Relief Dampers Horizontal Low Profile Barometric With Exhaust Hood	LAGEDH03/15	53K04	X	X	X	X
Economizer Controls (Not for Title 24)						
Differential Enthalpy	Order 2 - C1SNSR64FF1	53W64	OX	OX	OX	OX
Sensible Control	Sensor is Furnished	Factory	O	O	O	O
Single Enthalpy	C1SNSR64FF1	53W64	OX	OX	OX	OX
Building Pressure Control	E1GPBK20C1	13J77	X	X	X	X
Outdoor Air CFM Control	E1GPBK10C1	13J76	X	X	X	X
Global Control	Sensor Field Provided	Factory	O	O	O	O
<b>OUTDOOR AIR</b>						
Outdoor Air Dampers With Outdoor Air Hood						
Motorized	C1DAMP20B-1	14G28	OX	OX	OX	OX
Manual	C1DAMP10B-2	14G29	OX	OX	OX	OX
<b>POWER EXHAUST</b>						
Standard Static	208/230V-3ph - K1PWRE10B-1Y	53W44	OX	OX	OX	OX
	460V-3ph - K1PWRE10B-1G	53W45	OX	OX	OX	OX
	575V-3ph - K1PWRE10B-1J	53W46	OX	OX	OX	OX
<b>HUMIDITROL® CONDENSER REHEAT OPTION</b>						
Humiditrol Dehumidification Option		Factory	O	O	O	O
Humidity Sensor Kit, Remote mounted (required)	C0SNSR31AE-1	17M50	X	X	X	X
<b>ROOF CURBS</b>						
Hybrid Roof Curbs, Downflow						
8 in. height	C1CURB70B-1	11F54	X	X	X	X
14 in. height	C1CURB71B-1	11F55	X	X	X	X
18 in. height	C1CURB72B-1	11F56	X	X	X	X
24 in. height	C1CURB73B-1	11F57	X	X	X	X
Adjustable Pitch Curb, Downflow						
14 in. height	C1CURB55B-1	54W50	X	X	X	X
<b>CEILING DIFFUSERS</b>						
Step-Down - Order one	RTD11-95S	13K61	X			
	RTD11-135S	13K62		X	X	
	RTD11-185S	13K63				X
Flush - Order one	FD11-95S	13K56	X			
	FD11-135S	13K57		X	X	
	FD11-185S	13K58				X
Transitions (Supply and Return) - Order one	C1DIFF30B-1	12X65	X			
	C1DIFF31B-1	12X66		X	X	
	C1DIFF32B-1	12X67				X

NOTE - Catalog and model numbers shown are for ordering field installed accessories.  
OX - Configure To Order (Factory Installed) or Field Installed  
O = Configure To Order (Factory Installed)  
X = Field Installed

**OPTIONS / ACCESSORIES - 094U, 122U, 152U**

Item Description	Model Number	Catalog Number	Unit Model No		
			094	122	152
<b>COOLING SYSTEM</b>					
Condensate Drain Trap	PVC - C1TRAP20AD2	<b>76W26</b>	OX	OX	OX
	Copper - C1TRAP10AD2	<b>76W27</b>	OX	OX	OX
Corrosion Protection		Factory	O	O	O
Drain Pan Overflow Switch	E1SNSR71AD1	<b>68W88</b>	OX	OX	OX
Refrigerant Type		R-410A	O	O	O
<b>HEATING SYSTEM</b>					
Bottom Gas Piping Kit	C1GPKT01B-01	<b>54W95</b>	OX	OX	OX
Combustion Air Intake Extensions	T1EXTN10AN1	<b>19W51</b>	X	X	X
Gas Heat Input	130,000 Btuh	Factory	O	O	O
	180,000 Btuh	Factory	O	O	O
	240,000 Btuh	Factory	O	O	O
Low Temperature Vestibule Heater	208/230V-3ph - C1LTVH10B-1Y	<b>55W91</b>	OX	OX	OX
	460V - C1LTVH10B-1G	<b>55W92</b>	OX	OX	OX
	575V - C1LTVH10B-1J	<b>55W93</b>	OX	OX	OX
LPG/Propane Conversion Kits	Standard Heat - E1LPCO10B-1	<b>53W07</b>	X	X	X
	Medium Heat - E1LPCO20B-1	<b>53W08</b>	X	X	X
	High Heat - E1LPCO30B-1	<b>53W09</b>	X	X	X
Stainless Steel Heat Exchanger		Factory	O	O	O
Vertical Vent Extension Kit	C1EXTN2021	<b>42W16</b>	X	X	X
<b>BLOWER - SUPPLY AIR</b>					
Blower	Direct Drive supply air blower	Factory	O	O	O
	Belt Drive supply air blower (With VFD Bypass Control)	Factory	O	O	O
	Belt Drive supply air blower (Without VFD Bypass Control)	Factory	O	O	O
Motors - Multi-Stage Air Volume supply air	Direct Drive ECM 3.75 hp	Factory	O	O	O
	Belt Drive (high efficiency) - 2 hp	Factory	O	O	O
	Belt Drive (standard or high efficiency) - 3 hp	Factory	O	O	O
	Belt Drive (standard efficiency) - 5 hp	Factory	O	O	O
Drive Kits	Kit #1 590-890 rpm	Factory	O	O	O
See Blower Data Tables for selection	Kit #2 800-1105 rpm	Factory	O	O	O
	Kit #3 795-1195 rpm	Factory	O	O	O
	Kit #4 730-970 rpm	Factory	O	O	O
	Kit #5 940-1200 rpm	Factory	O	O	O
	Kit #6 1015-1300 rpm	Factory	O	O	O
	Kit #7 730-970 rpm	Factory	O	O	O
	Kit #8 940-1200 rpm	Factory	O	O	O
	Kit #9 1015-1300 rpm	Factory	O	O	O
	Kit #10 900-1135 rpm	Factory	O	O	O
	Kit #11 1040-1315 rpm	Factory	O	O	O
	Kit #12 1125-1425 rpm	Factory	O	O	O
	Blower Belt Auto-Tensioner		Factory	O	O

NOTE - Catalog and model numbers shown are for ordering field installed accessories.  
OX - Configure To Order (Factory Installed) or Field Installed  
O = Configure To Order (Factory Installed)  
X = Field Installed

## OPTIONS / ACCESSORIES - 094U, 122U, 152U

Item Description	Model Number	Catalog Number	Unit Model No		
			094	122	152
<b>CABINET</b>					
Combination Coil/Hail Guards	E1GARD51BP1	13T06	X	X	X
Horizontal Discharge Kit	K1HECK00B-1	51W25	X	X	X
Return Air Adaptor Plate (for LC/LG and TC/TG/TH unit replacement)	C1CONV10B-1	54W96	OX	OX	OX
<b>CONTROLS</b>					
Blower Proving Switch	C1SNSR35FF1	53W65	OX	OX	OX
Commercial Controls	L Connection® Building Automation System		X	X	X
	System - BACnet® Module - C0CTRL60AE1L	59W51	OX	OX	OX
	System - LonTalk® Module - C0CTRL65FF1	54W27	OX	OX	OX
				OX	OX
Dirty Filter Switch	E1SNSR55B-1	53W67	OX	OX	OX
Fresh Air Tempering	C1SNSR75AD1	58W63	OX	OX	OX
General Purpose Control Kit	E1GPBK30C1	13J78	X	X	X
Smoke Detector - Supply or Return (Power board and one sensor)	C1SNSR44B-2	11K76	OX	OX	OX
Smoke Detector - Supply and Return (Power board and two sensors)	C1SNSR43B-2	11K80	OX	OX	OX
<b>INDOOR AIR QUALITY</b>					
<b>Air Filters</b>					
High Efficiency Air Filters 20 x 25 x 2 (Order 4 per unit)	MERV 8 - C1FLTR15B-1	50W61	OX	OX	OX
	MERV 13 - C1FLTR40B-1	52W41	OX	OX	OX
Replacement Media Filter With Metal Mesh Frame (includes non-pleated filter media)	C1FLTR30B-1-	Y3063	X	X	X
<b>Indoor Air Quality (CO<sub>2</sub>) Sensors</b>					
Sensor - Wall-mount, off-white plastic cover with LCD display	C0SNSR50AE1L	77N39	X	X	X
Sensor - Wall-mount, off-white plastic cover, no display	C0SNSR52AE1L	87N53	X	X	X
Sensor - Black plastic case with LCD display, rated for plenum mounting	C0SNSR51AE1L	87N52	X	X	X
Sensor - Wall-mount, black plastic case, no display, rated for plenum mounting	C0MISC19AE1	87N54	X	X	X
CO <sub>2</sub> Sensor Duct Mounting Kit - for downflow applications	C0MISC19AE1-	85L43	X	X	X
Aspiration Box - for duct mounting non-plenum rated CO <sub>2</sub> sensors (87N53 or 77N39)	C0MISC16AE1-	90N43	X	X	X
<b>UVC Germicidal Lamps</b>					
<sup>1</sup> UVC Light Kit (208/230v-1ph)	C1UVCL10B-1	54W62	OX	OX	OX
<b>ELECTRICAL</b>					
Voltage 60 hz	208/230V - 3 phase	Factory	O	O	O
	460V - 3 phase	Factory	O	O	O
	575V - 3 phase	Factory	O	O	O
HACR Circuit Breakers		Factory	O	O	O
Disconnect Switch	80 amp - C1DISC080B-1	54W56	OX	OX	OX
	150 amp - C1DISC150B-1	54W57	OX	OX	OX
GFI Service Outlets	15 amp non-powered, field-wired (208/230V, 460V only)	LTAGFIK10/15	74M70	OX	OX
	20 amp non-powered, field-wired (575V only)	C1GFCI20FF1	67E01	OX	OX
Weatherproof Cover for GFI	C1GFCI99FF1	10C89	X	X	X

<sup>1</sup> Lamps operate on 110-230V single-phase power supply. Step-down transformer may be ordered separately for 460V and 575V units. Alternately, 110V power supply may be used to directly power the UVC ballast(s)

## ECONOMIZER

### Standard Economizer (Not for Title 24)

NOTE - Catalog and model numbers shown are for ordering field installed accessories.

OX - Configure To Order (Factory Installed) or Field Installed

O = Configure To Order (Factory Installed)

X = Field Installed

## OPTIONS / ACCESSORIES - 094U, 122U, 152U

Item Description	Model Number	Catalog Number	Unit Model No		
			094	122	152
Standard Economizer Downflow or Horizontal - Includes Outdoor Air Hood and Downflow Barometric Relief Dampers with Exhaust Hood Order Horizontal Barometric Relief Dampers separately	E1ECON15B-1	55W05	OX	OX	OX
<b>High Performance Economizer (Approved for California Title 24 Building Standards)</b>					
High Performance Economizer Downflow or Horizontal - Includes Outdoor Air Hood and Downflow Barometric Relief Dampers with Exhaust Hood Order Horizontal Barometric Relief Dampers separately	E1ECON17B-1	10U59	OX	OX	OX
<b>Economizer Controls</b>					
Differential Enthalpy (Not for Title 24)	Order 2 - C1SNSR64FF1	53W64	OX	OX	OX
Sensible Control	Sensor is Furnished	Factory	O	O	O
Single Enthalpy (Not for Title 24)	C1SNSR64FF1	53W64	OX	OX	OX
Global Control	Sensor Field Provided	Factory	O	O	O
Building Pressure Control	E1GPBK20C1	13J77	X	X	X
Outdoor Air CFM Control	E1GPBK10C1	13J76	X	X	X
<b>Horizontal Barometric Relief Dampers</b>					
Horizontal Low Profile Barometric Relief Dampers With Exhaust Hood	LAGEDH03/15	53K04	X	X	X
<b>OUTDOOR AIR</b>					
<b>Outdoor Air Dampers</b>					
Motorized Dampers (Hood furnished)	E1DAMP20B-1	63W60	OX	OX	OX
Manual Dampers (Hood furnished)	C1DAMP10B-1	53W48	OX	OX	OX
<b>POWER EXHAUST</b>					
Standard Static	208/230V-3ph - K1PWRE10B-1Y	53W44	OX	OX	OX
	460V-3ph - K1PWRE10B-1G	53W45	OX	OX	OX
	575V-3ph - K1PWRE10B-1J	53W46	OX	OX	OX
<b>ROOF CURBS</b>					
<b>Hybrid Roof Curbs, Downflow</b>					
8 in. height	C1CURB70B-1	11F54	X	X	X
14 in. height	C1CURB71B-1	11F55	X	X	X
18 in. height	C1CURB72B-1	11F56	X	X	X
24 in. height	C1CURB73B-1	11F57	X	X	X
<b>Adjustable Pitch Curb, Downflow</b>					
14 in. height	C1CURB55B-1	54W50	X	X	X
<b>CEILING DIFFUSERS</b>					
Step-Down - Order one	RTD11-95	29G04	X		
	RTD11-135	29G05		X	
	RTD11-185	29G06			X
Flush - Order one	FD11-95	29G08	X		
	FD11-135	29G09		X	
	FD11-185	29G10			X
Transitions (Supply and Return) - Order one	C1DIFF30B-1	12X65	X		
	C1DIFF31B-1	12X66		X	
	C1DIFF32B-1	12X67			X
<b>Sunsource® Commercial Energy System</b>					
Solar Module One 285W Solar Module (silver frame), One PanelClaw Polar Bear III Mounting CE Kit		10U67	X	X	X
Solar Power Entry with Disconnect		Factory	O	O	O
Enphase Envoy Communications Gateway (with Wireless Capability)		13L89	X	X	X
Line Communication Filter (external)	C1C400D11A	10F93	X	X	X
Transformer (6 kW)	E1TRFM15AD3Y (208Y to 208 VAC Delta)	11H71	X	X	X
	E1TRFM15AD2Y (230 VAC Delta)	11H28	X	X	X
	E1TRFM15AD3G (460 VAC Delta or Wye)	11H29	X	X	X

NOTE - Catalog and model numbers shown are for ordering field installed accessories.

OX - Configure To Order (Factory Installed) or Field Installed

O = Configure To Order (Factory Installed)

X = Field Installed

## SPECIFICATIONS - 092H, 102H

General Data		Nominal Tonnage	7.5 Ton	7.5 Ton	8.5 Ton	8.5 Ton
		Model Number	LGH092H4B	LGH092H4M	LGH102H4B	LGH102H4M
		Efficiency Type	High	High	High	High
		Blower Type	Constant Air Volume CAV	(Multi-Stage Air Volume)	Constant Air Volume CAV	(Multi-Stage Air Volume)
<b>Cooling Performance</b>	Gross Cooling Capacity - Btuh		93,000	93,000	103,800	103,800
	<sup>1</sup> Net Cooling Capacity - Btuh		90,000	90,000	100,000	100,000
	AHRI Rated Air Flow - cfm		3000	2800	3400	3400
	Total Unit Power - kW		7.5	7.5	8.1	8.1
	<sup>1</sup> EER (Btuh/Watt)		12.5	12.5	12.2	12.2
	<sup>2</sup> IEER (Btuh/Watt)		13.0	14.0	12.9	14.0
	Refrigerant Type		R-410A	R-410A	R-410A	R-410A
<b>Refrigerant Charge</b>	All-Aluminum Coil System	Circuit 1	7 lbs. 8 oz.	7 lbs. 8 oz.	7 lbs. 8 oz.	7 lbs. 8 oz.
		Circuit 2	7 lbs. 8 oz.	7 lbs. 8 oz.	7 lbs. 8 oz.	7 lbs. 8 oz.
	Conventional Fin/Tube Coil Option	Circuit 1	13 lbs. 8 oz.	13 lbs. 8 oz.	13 lbs. 8 oz.	13 lbs. 8 oz.
		Circuit 2	12 lbs. 8 oz.	12 lbs. 8 oz.	12 lbs. 8 oz.	12 lbs. 8 oz.
	Conventional Fin/Tube With Humiditrol®	Circuit 1	17 lbs. 0 oz.	17 lbs. 0 oz.	17 lbs. 0 oz.	17 lbs. 0 oz.
		Circuit 2	12 lbs. 8 oz.	12 lbs. 8 oz.	12 lbs. 8 oz.	12 lbs. 8 oz.
<b>Gas Heating Options Available - See page 10</b>			Standard (2 Stage), Medium (2 Stage), High (2 Stage)			
<b>Compressor Type (number)</b>			Scroll (2)			
<b>Outdoor Coils Aluminum (Fin/Tube)</b>	Net face area (total) - sq. ft.		28.0 (29.33)	28.0 (29.33)	28.0 (29.33)	28.0 (29.33)
	Number of rows		1 (3)	1 (3)	1 (3)	1 (3)
	Fins per inch		20 (20)	20 (20)	20 (20)	20 (20)
<b>Outdoor Coil Fans</b>	Motor - (No.) hp		(2) 1/3	(2) 1/3	(2) 1/3	(2) 1/3
	Motor rpm		1075	1075	1075	1075
	Total Motor watts		800	800	800	800
	Diameter - (No.) in.		(2) 24	(2) 24	(2) 24	(2) 24
	Number of blades		3	3	3	3
	Total Air volume - cfm		8800	8800	8800	8800
<b>Indoor Coils</b>	Net face area (total) - sq. ft.		12.78	12.78	12.78	12.78
	Tube diameter - in.		3/8	3/8	3/8	3/8
	Number of rows		4	4	4	4
	Fins per inch		14	14	14	14
Drain connection - Number and size			(1) 1 in. NPT coupling			
Expansion device type			Balance port TXV, removable head			
<sup>3</sup> <b>Indoor Blower and Drive Selection</b>	Nominal motor output		2 hp, 3 hp, 5 hp			
	Maximum usable motor output (US Only)		2.3 hp, 3.45 hp, 5.75 hp			
	Motor - Drive kit number		2 hp <b>Kit 1</b> 590-890 rpm (std. and high efficiency) <b>Kit 2</b> 800-1105 rpm (std. and high efficiency) <b>Kit 3</b> 795-1195 rpm (std. and high efficiency) 3 hp <b>Kit 4</b> 730-970 rpm (std. efficiency) <b>Kit 5</b> 940-1200 rpm (std. efficiency) <b>Kit 6</b> 1015-1300 rpm (std. efficiency) <b>Kit 7</b> 730-970 rpm (high efficiency) <b>Kit 8</b> 940-1200 rpm (high efficiency) <b>Kit 9</b> 1015-1300 rpm (high efficiency) 5 hp <b>Kit 10</b> 900-1135 rpm (std. efficiency) <b>Kit 11</b> 1040-1315 rpm (std. efficiency) <b>Kit 12</b> 1125-1425 rpm (std. efficiency)			
Blower wheel nominal diameter x width - in.			(1) 15 X 15	(1) 15 X 15	(1) 15 X 15	(1) 15 X 15
<b>Filters</b>	Type of filter		Disposable			
	Number and size - in.		(4) 20 x 25 x 2			
<b>Electrical characteristics</b>			208/230V, 460V or 575V - 60 hertz - 3 phase			

NOTE - Net capacity includes evaporator blower motor heat deduction. Gross capacity does not include evaporator blower motor heat deduction.

<sup>1</sup> AHRI Certified to AHRI Standard 340/360; 95°F outdoor air temperature and 80°F db/67°F wb entering evaporator air; minimum external duct static pressure.

<sup>2</sup> Integrated Energy Efficiency Ratio certified and tested according to AHRI Standard 340/360.

<sup>3</sup> Using total air volume and system static pressure requirements determine from blower performance tables rpm and motor output required. Maximum usable output of motors furnished are shown. In Canada, nominal motor output is also maximum usable motor output. If motors of comparable output are used, be sure to keep within the service factor limitations outlined on the motor nameplate.

NOTE - Units equipped with Multi-Stage Air Volume option are limited to a motor service factor of 1.0.



## SPECIFICATIONS 120H, 150H

General Data		Nominal Tonnage	10 Ton	10 Ton	12.5 Ton	12.5 Ton
Model Number			LGH120H4B	LGH120H4M	LGH150H4B	LGH150H4M
Efficiency Type			High	High	High	High
Blower Type			Constant Air Volume CAV	MSAV® (Multi-Stage Air Volume)	Constant Air Volume CAV	MSAV® (Multi-Stage Air Volume)
Cooling Performance	Gross Cooling Capacity - Btuh		122,000	122,000	146,000	146,000
	<sup>1</sup> Net Cooling Capacity - Btuh		118,000	118,000	140,000	140,000
	AHRI Rated Air Flow - cfm		3600	3300	3950	3950
	Total Unit Power - kW		9.9	9.8	13.0	13.0
	<sup>1</sup> EER (Btuh/Watt)		12	12.0	10.8	10.8
	<sup>2</sup> IEER (Btuh/Watt)		13.0	13.8	12.2	13.5
AHRI Reference No.			202088989	202090495	10569905	10569907
Refrigerant Charge		Refrigerant Type	R-410A	R-410A	R-410A	R-410A
Charge	Environ™ Coil System	Circuit 1	7 lbs. 4 oz.	7 lbs. 4 oz.	---	---
		Circuit 2	7 lbs. 8 oz.	7 lbs. 8 oz.	---	---
	Environ™ Coil System with Humiditrol®	Circuit 1	7 lbs. 4 oz.	7 lbs. 4 oz.	---	---
		Circuit 2	7 lbs. 8 oz.	7 lbs. 8 oz.	---	---
	Conventional Fin/Tube Coil Option	Circuit 1	14 lbs. 8 oz.	14 lbs. 8 oz.	12 lbs. 8 oz.	12 lbs. 8 oz.
		Circuit 2	13 lbs. 8 oz.	13 lbs. 8 oz.	10 lbs. 12 oz.	10 lbs. 12 oz.
	Conventional Fin/Tube with Humiditrol®	Circuit 1	18 lbs. 0 oz.	18 lbs. 0 oz.	12 lbs. 9 oz.	12 lbs. 9 oz.
		Circuit 2	13 lbs. 8 oz.	13 lbs. 8 oz.	12 lbs. 3 oz.	12 lbs. 3 oz.
Gas Heating Options Available - See page 10			Standard (2 Stage), Medium (2 Stage), High (2 Stage)			
Compressor Type (number)			Scroll (2)	Scroll (2)	Scroll (2)	Scroll (2)
Outdoor Coils	Net face area (total) - sq. ft.		28.0 (29.33)	28.0 (29.33)	--- (25.9)	--- (25.9)
	Environ™ (Fin/Tube)	Number of rows	1 (3)	1 (3)	3	3
		Fins per inch	20 (20)	20 (20)	20	20
Outdoor Coil Fans	Motor - (No.) hp		(2) 1/3	(2) 1/3	(2) 1/2	(2) 1/2
	Motor rpm		1075	1075	1075/600	1075/600
	Total Motor watts		800	800	1050	1050
	Diameter - (No.) in.		(2) 24	(2) 24	(2) 24	(2) 24
	Number of blades		3	3	3	3
	Total Air volume - cfm		8800	8800	9700	9700
Indoor Coils	Net face area (total) - sq. ft.		13.54	13.54	13.54	13.54
	Tube diameter - in.		3/8	3/8	3/8	3/8
	Number of rows		4	4	4	4
	Fins per inch		14	14	14	14
Drain connection - Number and size			(1) 1 in. NPT coupling			
Expansion device type			Balance port TXV, removable head			
<sup>3</sup> Indoor Blower and Drive Selection	Nominal motor output		2 hp, 3 hp, 5 hp			
	Maximum usable motor output (US Only)		2.3 hp, 3.45 hp, 5.75 hp			
	Motor - Drive kit number		2 hp <b>Kit 1</b> 590-890 rpm (std. and high efficiency) <b>Kit 2</b> 800-1105 rpm (std. and high efficiency) <b>Kit 3</b> 795-1195 rpm (std. and high efficiency) 3 hp <b>Kit 4</b> 730-970 rpm (std. efficiency) <b>Kit 5</b> 940-1200 rpm (std. efficiency) <b>Kit 6</b> 1015-1300 rpm (std. efficiency) <b>Kit 7</b> 730-970 rpm (high efficiency) <b>Kit 8</b> 940-1200 rpm (high efficiency) <b>Kit 9</b> 1015-1300 rpm (high efficiency) 5 hp <b>Kit 10</b> 900-1135 rpm (std. efficiency) <b>Kit 11</b> 1040-1315 rpm (std. efficiency) <b>Kit 12</b> 1125-1425 rpm (std. efficiency)			
Blower wheel nominal diameter x width - in.			(1) 15 X 15	(1) 15 X 15	(1) 15 X 15	(1) 15 X 15
Filters	Type of filter		Disposable			
	Number and size - in.		(4) 20 x 25 x 2			
Electrical characteristics			208/230V, 460V or 575V - 60 hertz - 3 phase			

NOTE - Net capacity includes evaporator blower motor heat deduction. Gross capacity does not include evaporator blower motor heat deduction.

<sup>1</sup> AHRI Certified to AHRI Standard 340/360; 95°F outdoor air temperature and 80°F db/67°F wb entering evaporator air; minimum external duct static pressure.

<sup>2</sup> Integrated Energy Efficiency Ratio certified and tested according to AHRI Standard 340/360.

<sup>3</sup> Using total air volume and system static pressure requirements determine from blower performance tables rpm and motor output required. Maximum usable output of motors furnished are shown. In Canada, nominal motor output is also maximum usable motor output. If motors of comparable output are used, be sure to keep within the service factor limitations outlined on the motor nameplate.

NOTE - Units equipped with MSAV® (Multi-Stage Air Volume) option are limited to a motor service factor of 1.0.

## SPECIFICATIONS - GAS HEAT - 092H, 102H, 120H, 150H

Heat Input Type		Standard	Medium	High
Number of Gas Heat Stages		2	2	2
Gas Heating Performance	Input - Btuh	84,500	117,000	156,000
	First Stage	130,000	180,000	240,000
	Second Stage	104,000	144,000	192,000
	Output - Btuh	15 - 45	30 - 60	40 - 70
	Temperature Rise Range - °F	80%	80%	80%
	Thermal Efficiency	3/4 in. npt	3/4 in. npt	3/4 in. npt.
	Gas Supply Connections	7 in. w.c.	7 in. w.c.	7 in. w.c.
Recommended Gas Supply Pressure - in. w.g.	Natural	11 in. w.c.	11 in. w.c.	11 in. w.c.
	LPG/Propane			

## HIGH ALTITUDE DERATE - 092H, 102H, 120H, 150H

Units may be installed at altitudes up to 2000 feet above sea level without any modification.

At altitudes above 2000 feet, units must be derated to match gas manifold pressures shown in table below.

At altitudes above 4500 feet unit must be derated 2% for each 1000 feet above sea level.

NOTE - This is the only permissible derate for these units.

Gas Heat Type	Altitude Feet	Gas Manifold Pressure in. w.g.		Input Rate - Btuh (Natural Gas or LPG/Propane)	
		Natural Gas	LPG/Propane Gas	First Stage	Second Stage
Standard	2001-4500	3.4	9.6	84,500	124,000
Medium	2001-4500	3.4	9.6	117,000	172,000
High	2001-4500	3.4	9.6	156,000	230,000

## SPECIFICATIONS - DIRECT DRIVE MODELS

General Data		Nominal Tonnage	7.5 Ton	10 Ton	12.5 Ton
	Model Number		LGH094U4E	LGH122U4E	LGH152U4E
	Efficiency Type		Ultra	Ultra	Ultra
	Blower Type		Direct Drive	Direct Drive	Direct Drive
<b>Cooling Performance</b>	Gross Cooling Capacity - Btuh		93,700	119,000	141,900
	<sup>1</sup> Net Cooling Capacity - Btuh		92,000	116,000	138,000
	AHRI Rated Air Flow - cfm		2800	3600	4000
	Total Unit Power - kW		6.6	8.8	11.2
	<sup>1</sup> EER (Btuh/Watt)		13.9	13.1	12.3
	<sup>2</sup> IEER (Btuh/Watt)		21.5	20.0	18.9
	Refrigerant Type		R-410A	R-410A	R-410A
<b>Refrigerant Charge</b>	Circuit 1		29 lbs. 0 oz.	29 lbs. 0 oz.	29 lbs. 0 oz.
<b>Gas Heating Options Available -</b>		Standard (2 Stage), Medium (2 Stage), High (2 Stage)			
<b>Compressor Type (number)</b>			Tandem Scroll (2)	Tandem Scroll (2)	Tandem Scroll (2)
<b>Outdoor Coils</b>	Net face area (total) - sq. ft.		40.8	40.8	40.8
	Number of rows		2	2	2
	Fins per inch		20	20	20
<b>Outdoor Coil Fans</b>	Motor - (No.) hp		(3) 1/3 ECM	(3) 1/3 ECM	(3) 1/3 ECM
	Motor rpm		520 - 900	640 - 900	640 - 900
	Total Motor watts		160 - 650	280 - 650	280 - 650
	Diameter - (No.) in.		(3) 24	(3) 24	(3) 24
	Number of blades		3	3	3
	Total Air volume - cfm		5160 - 10,250	7100 - 10,250	7100 - 10,250
<b>Indoor Coil</b>	Net face area (total) - sq. ft.		13.54	13.54	13.54
	Tube diameter - in.		3/8	3/8	3/8
	Number of rows		4	4	4
	Fins per inch		14	14	14
	Drain connection - Number and size		(1) 1 in. NPT coupling		
	Expansion device type	Dual-Flow Thermal Expansion Valve System Dual with Flow Control Balance port, removable head			
<b>Indoor Blower</b>	Nominal motor output		3.75 HP (ECM)	3.75 HP (ECM)	3.75 HP (ECM)
	Blower wheel nominal diameter x width - in.		(1) 22 x 9	(1) 22 x 9	(1) 22 x 9
<b>Filters</b>	Type of filter	Disposable			
	Number and size - in.	(4) 20 x 25 x 2			
<b>Electrical characteristics</b>		208/230V, 460V or 575V - 60 hertz - 3 phase			

NOTE - Net capacity includes evaporator blower motor heat deduction. Gross capacity does not include evaporator blower motor heat deduction.

<sup>1</sup> AHRI Certified to AHRI Standard 340/360; 95°F outdoor air temperature and 80°F db/67°F wb entering evaporator air; minimum external duct static pressure.

<sup>2</sup> Integrated Energy Efficiency Ratio certified and tested according to AHRI Standard 340/360.

## SPECIFICATIONS - BELT DRIVE MODELS - 094U, 122U, 152U

General Data		Nominal Tonnage	7.5 Ton	10 Ton	12.5 Ton
		Model Number	LGH094U4M	LGH122U4M	LGH152U4M
		Efficiency Type	Ultra	Ultra	Ultra
		Blower Type	Belt Drive	Belt Drive	Belt Drive
<b>Cooling Performance</b>	Gross Cooling Capacity - Btuh		93,700	119,000	141,900
	<sup>1</sup> Net Cooling Capacity - Btuh		92,000	116,000	136,000
	AHRI Rated Air Flow - cfm		2800	3600	4000
	Total Unit Power - kW		6.9	8.8	11.5
	<sup>1</sup> EER (Btuh/Watt)		13.4	12.6	12.0
	<sup>2</sup> IEER (Btuh/Watt)		20.7	19.2	18.1
		Refrigerant Type	R-410A	R-410A	R-410A
<b>Refrigerant Charge</b>		Circuit 1	29 lbs. 0 oz.	29 lbs. 0 oz.	29 lbs. 0 oz.
<b>Gas Heating Options Available -</b>			Standard (2 Stage), Medium (2 Stage), High (2 Stage)		
<b>Compressor Type (number)</b>			Tandem Scroll (2)	Tandem Scroll (2)	Tandem Scroll (2)
<b>Outdoor Coils</b>	Net face area (total) - sq. ft.		40.8	40.8	40.8
	Number of rows		2	2	2
	Fins per inch		20	20	20
<b>Outdoor Coil Fans</b>	Motor - (No.) hp		(3) 1/3 ECM	(3) 1/3 ECM	(3) 1/3 ECM
	Motor rpm		520 - 900	640 - 900	640 - 900
	Total Motor watts		160 - 650	280 - 650	280 - 650
	Diameter - (No.) in.		(3) 24	(3) 24	(3) 24
	Number of blades		3	3	3
	Total Air volume - cfm		5160 - 10,250	7100 - 10,250	7100 - 10,250
<b>Indoor Coil</b>	Net face area (total) - sq. ft.		13.54	13.54	13.54
	Tube diameter - in.		3/8	3/8	3/8
	Number of rows		4	4	4
	Fins per inch		14	14	14
	Drain connection - Number and size		(1) 1 in. NPT coupling		
Expansion device type			Dual-Flow Thermal Expansion Valve System Dual with Flow Control Balance port, removable head		
<sup>3</sup> <b>Indoor Blower and Drive Selection</b>	Nominal motor output		2 hp, 3 hp, 5 hp		
	Motor - Drive kit number		2 hp <b>Kit 1</b> 590-890 rpm (std. and high efficiency) <b>Kit 2</b> 800-1105 rpm (std. and high efficiency) <b>Kit 3</b> 795-1195 rpm (std. and high efficiency) 3 hp <b>Kit 4</b> 730-970 rpm (std. efficiency) <b>Kit 5</b> 940-1200 rpm (std. efficiency) <b>Kit 6</b> 1015-1300 rpm (std. efficiency) <b>Kit 7</b> 730-970 rpm (high efficiency) <b>Kit 8</b> 940-1200 rpm (high efficiency) <b>Kit 9</b> 1015-1300 rpm (high efficiency) 5 hp <b>Kit 10</b> 900-1135 rpm (std. efficiency) <b>Kit 11</b> 1040-1315 rpm (std. efficiency) <b>Kit 12</b> 1125-1425 rpm (std. efficiency)		
Blower wheel nominal diameter x width - in.			(1) 15 X 15	(1) 15 X 15	(1) 15 X 15
<b>Filters</b>	Type of filter		Disposable		
	Number and size - in.		(4) 20 x 25 x 2		
<b>Electrical characteristics</b>			208/230V, 460V or 575V - 60 hertz - 3 phase		

NOTE - Net capacity includes evaporator blower motor heat deduction. Gross capacity does not include evaporator blower motor heat deduction.

<sup>1</sup> AHRI Certified to AHRI Standard 340/360; 95°F outdoor air temperature and 80°F db/67°F wb entering evaporator air; minimum external duct static pressure.

<sup>2</sup> Integrated Energy Efficiency Ratio certified and tested according to AHRI Standard 340/360.

<sup>3</sup> Using total air volume and system static pressure requirements determine from blower performance tables rpm and motor output required. Maximum usable output of motors furnished are shown. If motors of comparable output are used, be sure to keep within the service factor limitations outlined on the motor nameplate.

## SPECIFICATIONS - GAS HEAT - 094U, 122U, 152U

		Standard	Medium	High
Heat Input Type				
Number of Gas Heat Stages		2	2	2
Gas Heating Performance	Input - Btuh			
	First Stage	84,500	117,000	156,000
	Second Stage	130,000	180,000	240,000
	Output - Btuh			
	Second Stage	104,000	144,000	192,000
	Temperature Rise Range - °F	15 - 45	30 - 60	40 - 70
	Thermal Efficiency	80%	80%	80%
	Gas Supply Connections	3/4 in. npt	3/4 in. npt	3/4 in. npt.
Recommended Gas Supply Pressure - in. w.g.	Natural	7 in. w.c.	7 in. w.c.	7 in. w.c.
	LPG/Propane	11 in. w.c.	11 in. w.c.	11 in. w.c.

## BLOWER DATA

### 092, 094, AND 102 BELT DRIVE BLOWER – BASE UNIT

**BLOWER TABLE INCLUDES RESISTANCE FOR BASE UNIT ONLY (NO HEAT SECTION) WITH DRY INDOOR COIL AND AIR FILTERS IN PLACE.**

FOR ALL UNITS ADD:

1 – Wet indoor coil air resistance of selected unit.

2 – Any factory installed options air resistance (heat section, economizer, etc.)

3 – Any field installed accessories air resistance (duct resistance, diffuser, etc.)

Then determine from blower table blower motor output required.

See page 16 for blower motors and drives. See page 16 for wet coil and option/accessory air resistance data.

### MAXIMUM STATIC PRESSURE WITH GAS HEAT - 2.0 in. w.g.

Total Air Volume cfm	Total Static Pressure – in. w.g.																										
	0.2		0.4		0.6		0.8		1.0		1.2		1.4		1.6		1.8		2.0		2.2		2.4		2.6		
	RPM	BHP	RPM	BHP	RPM	BHP	RPM	BHP	RPM	BHP	RPM	BHP	RPM	BHP	RPM	BHP	RPM	BHP	RPM	BHP	RPM	BHP	RPM	BHP	RPM	BHP	RPM
1750	481	0.21	549	0.4	618	0.57	688	0.7	758	0.82	824	0.93	885	1.08	941	1.23	991	1.39	1038	1.54	1082	1.68	1124	1.82	1166	1.95	
2000	493	0.29	561	0.47	629	0.64	700	0.77	768	0.9	832	1.02	892	1.17	946	1.33	995	1.49	1041	1.66	1085	1.81	1126	1.97	1167	2.12	
2250	507	0.37	574	0.56	643	0.72	712	0.86	779	0.99	842	1.13	900	1.28	953	1.44	1001	1.61	1045	1.78	1088	1.95	1128	2.12	1168	2.3	
2500	521	0.46	588	0.64	657	0.81	727	0.95	792	1.09	853	1.24	909	1.4	960	1.57	1007	1.74	1050	1.93	1091	2.11	1130	2.29	1170	2.48	
2750	537	0.56	604	0.74	674	0.91	743	1.06	806	1.21	865	1.36	920	1.53	969	1.71	1014	1.89	1055	2.08	1095	2.27	1133	2.47	1172	2.66	
3000	554	0.67	622	0.86	692	1.02	760	1.18	822	1.34	878	1.5	931	1.68	979	1.86	1021	2.06	1061	2.26	1099	2.46	1136	2.65	1174	2.85	
3250	572	0.78	641	0.98	712	1.15	778	1.32	838	1.49	892	1.66	943	1.84	989	2.03	1030	2.24	1068	2.45	1105	2.65	1141	2.85	1178	3.06	
3500	592	0.9	663	1.12	733	1.3	798	1.47	855	1.65	907	1.83	956	2.02	1000	2.22	1039	2.44	1076	2.65	1111	2.86	1146	3.07	1183	3.27	
3750	614	1.04	687	1.28	756	1.47	818	1.65	872	1.83	923	2.02	970	2.22	1011	2.43	1049	2.65	1084	2.87	1118	3.09	1152	3.29	1189	3.51	
4000	639	1.22	713	1.48	780	1.66	838	1.83	890	2.02	939	2.22	984	2.44	1023	2.66	1059	2.89	1093	3.11	1126	3.33	1160	3.54	1197	3.77	
4250	667	1.43	741	1.69	805	1.86	859	2.02	909	2.22	956	2.45	998	2.68	1036	2.92	1070	3.15	1103	3.37	1135	3.59	1169	3.81	1207	4.05	

## BLOWER DATA

### 120, 122, 150 AND 152 BELT DRIVE BLOWER – BASE UNIT

**BLOWER TABLE INCLUDES RESISTANCE FOR BASE UNIT ONLY (NO HEAT SECTION) WITH DRY INDOOR COIL AND AIR FILTERS IN PLACE.**

FOR ALL UNITS ADD:

- 1 – Wet indoor coil air resistance of selected unit.
  - 2 – Any factory installed options air resistance (heat section, economizer, etc.)
  - 3 – Any field installed accessories air resistance (duct resistance, diffuser, etc.)
- Then determine from blower table blower motor output required.

See page 16 for blower motors and drives. See page 16 for wet coil and option/accessory air resistance data.

### MAXIMUM STATIC PRESSURE WITH GAS HEAT - 2.0 in. w.g.

Total Air Volume cfm	Total Static Pressure – in. w.g.																										
	0.2		0.4		0.6		0.8		1.0		1.2		1.4		1.6		1.8		2.0		2.2		2.4		2.6		
	RPM	BHP	RPM	BHP	RPM	BHP	RPM	BHP	RPM	BHP	RPM	BHP	RPM	BHP	RPM	BHP	RPM	BHP	RPM	BHP	RPM	BHP	RPM	BHP	RPM	BHP	RPM
2000	497	0.25	558	0.44	624	0.6	694	0.74	764	0.85	830	0.99	889	1.16	943	1.34	994	1.52	1045	1.71	1096	1.89	1146	2.08	1197	2.27	
2250	511	0.34	573	0.52	638	0.68	708	0.82	776	0.94	839	1.09	896	1.26	948	1.45	998	1.64	1048	1.83	1098	2.01	1149	2.2	1200	2.4	
2500	527	0.44	589	0.62	654	0.78	723	0.91	789	1.05	850	1.21	904	1.39	955	1.58	1003	1.77	1052	1.96	1101	2.14	1152	2.33	1203	2.53	
2750	545	0.55	606	0.72	672	0.88	740	1.03	804	1.17	861	1.34	914	1.53	962	1.72	1010	1.92	1057	2.10	1105	2.29	1154	2.47	1206	2.68	
3000	564	0.66	626	0.84	692	1.01	759	1.16	819	1.32	874	1.49	924	1.68	971	1.88	1017	2.08	1063	2.26	1110	2.44	1158	2.63	1208	2.83	
3250	585	0.79	648	0.98	714	1.14	778	1.31	836	1.48	887	1.66	935	1.86	981	2.06	1026	2.26	1071	2.45	1117	2.63	1163	2.80	1213	3.00	
3500	607	0.93	672	1.13	737	1.31	798	1.48	852	1.66	901	1.85	948	2.05	993	2.26	1037	2.46	1081	2.65	1125	2.83	1171	3.01	1221	3.21	
3750	632	1.10	698	1.31	762	1.50	819	1.67	869	1.86	915	2.05	961	2.25	1005	2.47	1049	2.68	1092	2.88	1136	3.05	1181	3.24	1231	3.45	
4000	660	1.30	726	1.52	787	1.70	838	1.87	885	2.06	930	2.26	974	2.48	1018	2.71	1062	2.93	1105	3.12	1149	3.30	1194	3.49	1245	3.72	
4250	691	1.53	755	1.75	810	1.91	857	2.07	901	2.27	945	2.50	990	2.74	1034	2.98	1077	3.20	1120	3.39	1163	3.58	1210	3.79	1262	4.03	
4500	724	1.78	783	1.98	831	2.12	874	2.28	917	2.50	962	2.75	1006	3.02	1051	3.27	1094	3.49	1137	3.70	1181	3.89	1228	4.11	1281	4.38	
4750	757	2.05	809	2.20	851	2.33	891	2.51	935	2.76	980	3.05	1025	3.33	1070	3.59	1113	3.82	1156	4.03	1201	4.24	1249	4.47	1303	4.75	
5000	787	2.31	831	2.43	870	2.57	910	2.78	954	3.06	1000	3.38	1046	3.68	1091	3.95	1135	4.19	1178	4.40	1224	4.62	1272	4.86	1325	5.13	
5250	814	2.55	852	2.66	889	2.83	930	3.09	975	3.41	1023	3.76	1070	4.08	1115	4.35	1159	4.59	1203	4.81	1248	5.03	1297	5.27	1350	5.53	
5500	835	2.78	871	2.91	909	3.13	952	3.44	999	3.81	1049	4.18	1096	4.51	1142	4.79	1186	5.03	1229	5.24	1275	5.46	1324	5.69	---	---	
5750	854	3.01	890	3.19	930	3.48	977	3.86	1027	4.27	1078	4.66	1126	4.99	1171	5.26	1214	5.49	1258	5.70	---	---	---	---	---	---	
6000	871	3.26	910	3.53	955	3.90	1006	4.34	1060	4.80	1111	5.19	1158	5.51	---	---	---	---	---	---	---	---	---	---	---	---	
6250	890	3.57	934	3.94	985	4.41	1041	4.91	1096	5.38	---	---	---	---	---	---	---	---	---	---	---	---	---	---	---	---	

## BLOWER DATA - 092, 094, 102, 120, 122, 150, 152

### FACTORY INSTALLED BELT DRIVE KIT SPECIFICATIONS

Motor Efficiency	Nominal hp	Maximum hp	Drive Kit Number	RPM Range
Standard & High	2	2.3	1	590 - 890
Standard & High	2	2.3	2	800 - 1105
Standard & High	2	2.3	3	795 - 1195
Standard	3	3.45	4	730 - 970
Standard	3	3.45	5	940 - 1200
Standard	3	3.45	6	1015 - 1300
High	3	3.45	7	730 - 970
High	3	3.45	8	940 - 1200
High	3	3.45	9	1015 - 1300
Standard	5	5.75	10	900 - 1135
Standard	5	5.75	11	1040 - 1315
Standard	5	5.75	12	1125 - 1425

NOTE - Using total air volume and system static pressure requirements determine from blower performance tables rpm and motor output required. Maximum usable output of motors furnished are shown. In Canada, nominal motor output is also maximum usable motor output. If motors of comparable output are used, be sure to keep within the service factor limitations outlined on the motor nameplate.

NOTE - Units equipped with Multi-Stage Air Volume option are limited to a motor service factor of 1.0.

### POWER EXHAUST FAN PERFORMANCE

Return Air System Static Pressure	Air Volume Exhausted
in. w.g.	cfm
0	3175
0.05	2955
0.10	2685
0.15	2410
0.20	2165
0.25	1920
0.30	1420
0.35	1200

### FACTORY INSTALLED OPTIONS/FIELD INSTALLED ACCESSORY AIR RESISTANCE - in. w.g.

Air Volume cfm	Wet Indoor Coil		Gas Heat Exchanger			Economizer	Humiditrol Condenser Reheat Coil	Filters		Return Air Adaptor Plate
			Standard Heat	Medium heat	High Heat			MERV 8	MERV 13	
	092, 102	120, 150								
1750	0.04	0.04	0.06	0.02	0.02	0.05	0.02	0.01	0.03	0.00
2000	0.05	0.05	0.07	0.05	0.06	0.06	0.02	0.01	0.03	0.00
2250	0.06	0.06	0.07	0.07	0.08	0.08	0.02	0.01	0.04	0.00
2500	0.07	0.07	0.09	0.10	0.11	0.11	0.03	0.01	0.05	0.00
2750	0.08	0.08	0.09	0.11	0.12	0.12	0.03	0.02	0.05	0.00
3000	0.10	0.09	0.11	0.12	0.13	0.13	0.03	0.02	0.06	0.02
3250	0.11	0.10	0.12	0.15	0.16	0.15	0.04	0.02	0.06	0.02
3500	0.12	0.11	0.12	0.16	0.17	0.15	0.04	0.03	0.07	0.04
3750	0.14	0.13	0.14	0.19	0.20	0.15	0.05	0.03	0.08	0.07
4000	0.15	0.14	0.14	0.21	0.22	0.19	0.05	0.04	0.08	0.09
4250	0.17	0.15	0.14	0.24	0.28	0.19	0.06	0.04	0.09	0.11
4500	0.19	0.17	0.15	0.26	0.32	0.22	0.07	0.04	0.09	0.12
4750	0.20	0.18	0.16	0.29	0.37	0.25	0.07	0.05	0.10	0.16
5000	0.22	0.20	0.16	0.34	0.43	0.29	0.08	0.06	0.10	0.18
5250	0.24	0.22	0.16	0.37	0.47	0.32	0.08	0.06	0.11	0.19
5500	0.25	0.23	0.18	0.44	0.54	0.34	0.09	0.07	0.12	0.22
5750	0.27	0.25	0.19	0.49	0.59	0.45	0.10	0.07	0.12	0.25
6000	0.29	0.27	0.20	0.54	0.64	0.52	0.10	0.08	0.13	0.27



## BLOWER DATA

### CEILING DIFFUSERS AIR RESISTANCE - in. w.g.

Unit Size	RTD11 Step-Down Diffuser			FD11 Flush Diffuser	
	Air Volume cfm	2 Ends Open	1 Side, 2 Ends Open		All Ends & Sides Open
092, 094 Models	2400	0.21	0.18	0.15	0.14
	2600	0.24	0.21	0.18	0.17
	2800	0.27	0.24	0.21	0.20
	3000	0.32	0.29	0.25	0.25
	3200	0.41	0.37	0.32	0.31
	3400	0.50	0.45	0.39	0.37
	3600	0.61	0.54	0.48	0.44
102, 120 & 122 Models	3800	0.73	0.63	0.57	0.51
	3600	0.36	0.28	0.23	0.15
	3800	0.40	0.32	0.26	0.18
	4000	0.44	0.36	0.29	0.21
	4200	0.49	0.40	0.33	0.24
	4400	0.54	0.44	0.37	0.27
	4600	0.60	0.49	0.42	0.31
	4800	0.65	0.53	0.46	0.35
150, 152 Models	5000	0.69	0.58	0.50	0.39
	5200	0.75	0.62	0.54	0.43
	4200	0.22	0.19	0.16	0.10
	4400	0.28	0.24	0.20	0.12
	4600	0.34	0.29	0.24	0.15
	4800	0.40	0.34	0.29	0.19
	5000	0.46	0.39	0.34	0.23
	5200	0.52	0.44	0.39	0.27
	5400	0.58	0.49	0.43	0.31
5600	0.64	0.54	0.47	0.35	
5800	0.70	0.59	0.51	0.39	

### CEILING DIFFUSER AIR THROW DATA

Model No.	Air Volume cfm	<sup>1</sup> Effective Throw Range	
		RTD11 Step-Down ft.	FD11 Flush ft.
092, 094 Models	2600	24 - 29	19 - 24
	2800	25 - 30	20 - 28
	3000	27 - 33	21 - 29
	3200	28 - 35	22 - 29
	3400	30 - 37	22 - 30
102, 120, 122 Models	3600	25 - 33	22 - 29
	3800	27 - 35	22 - 30
	4000	29 - 37	24 - 33
	4200	32 - 40	26 - 35
	4400	34 - 42	28 - 37
150, 152 Models	5600	39 - 49	28 - 37
	5800	42 - 51	29 - 38
	6000	44 - 54	40 - 50
	6200	45 - 55	42 - 51
	6400	46 - 55	43 - 52
	6600	47 - 56	45 - 56

<sup>1</sup> Throw is the horizontal or vertical distance an air stream travels on leaving the outlet or diffuser before the maximum velocity is reduced to 50 ft. per minute. Four sides open.

## BLOWER DATA - DIRECT DRIVE - 094U, 122U, 152U

BLOWER TABLE INCLUDES RESISTANCE FOR BASE UNIT ONLY (NO HEAT SECTION) WITH DRY INDOOR COIL AND AIR FILTERS IN PLACE.

FOR ALL UNITS ADD:

- 1 - Wet indoor coil air resistance of selected unit.
- 2 - Any factory installed options air resistance (heat section, economizer, etc.)
- 3 - Any field installed accessories air resistance (duct resistance, diffuser, etc.)

MAXIMUM STATIC PRESSURE WITH GAS HEAT - 2.0 in. w.g.

Air Volume cfm	Total Static Pressure - in. w.g.													
	0.2		0.4		0.6		0.8		1.0		1.2		1.4	
	RPM	Watts	RPM	Watts	RPM	Watts	RPM	Watts	RPM	Watts	RPM	Watts	RPM	Watts
1750	711	188	771	279	836	366	905	453	975	544	1044	640	1109	737
2000	752	242	812	332	876	420	944	510	1011	606	1075	709	1138	812
2250	799	300	860	389	923	479	988	575	1052	678	1113	787	1171	896
2500	853	362	914	453	976	548	1038	650	1097	761	1154	877	1209	990
2750	914	434	974	529	1033	629	1091	739	1146	858	1199	979	1250	1098
3000	980	513	1037	614	1092	720	1146	837	1198	961	1247	1088	1295	1215
3250	1048	598	1101	705	1153	819	1203	941	1251	1071	1298	1206	1343	1343
3500	1116	693	1166	809	1214	931	1261	1060	1307	1198	1351	1341	1395	1489
3750	1185	806	1232	931	1277	1063	1322	1201	1365	1348	1407	1499	1448	1657
4000	1254	937	1299	1072	1341	1214	1383	1363	1424	1518	1464	1679	1503	1844
4250	1324	1089	1366	1234	1406	1386	1445	1545	1484	1708	1522	1876	1559	2046
4500	1395	1262	1433	1417	1471	1579	1508	1745	1544	1913	1581	2084	1616	2256
4750	1465	1455	1501	1619	1536	1787	1571	1957	1606	2128	1641	2299	1675	2470
5000	1534	1666	1568	1834	1602	2004	1635	2174	1668	2345	1701	2514	1735	2682
5250	1603	1887	1635	2055	1667	2224	1699	2392	1731	2559	1763	2724	---	---
5500	1671	2110	1702	2275	1733	2441	1764	2605	---	---	---	---	---	---
5750	1738	2325	1768	2488	---	---	---	---	---	---	---	---	---	---
<b>Total</b>	<b>Total Static Pressure - in. w.g.</b>													

Air Volume cfm	Total Static Pressure - in. w.g.											
	1.6		1.8		2.0		2.2		2.4		2.6	
	RPM	Watts	RPM	Watts	RPM	Watts	RPM	Watts	RPM	Watts	RPM	Watts
1750	1172	833	1231	932	1287	1039	1340	1156	1391	1283	1442	1426
2000	1197	913	1253	1019	1306	1135	1357	1261	1407	1398	1457	1547
2250	1227	1003	1280	1117	1330	1242	1379	1378	1428	1525	1477	1680
2500	1261	1103	1311	1226	1360	1361	1407	1507	1454	1663	1501	1826
2750	1299	1219	1347	1350	1394	1494	1440	1649	1485	1813	1530	1982
3000	1342	1346	1388	1487	1432	1640	1476	1803	1520	1973	1563	2146
3250	1388	1485	1432	1638	1475	1800	1517	1969	1558	2143	1600	2319
3500	1437	1643	1479	1805	1519	1975	1560	2148	1600	2325	1640	2502
3750	1489	1821	1528	1990	1567	2164	1605	2340	1645	2517	1685	2693
4000	1541	2014	1579	2187	1616	2364	1654	2540	1693	2715	1732	2887
4250	1596	2218	1632	2393	1668	2569	1705	2742	1743	2913	---	---
4500	1652	2429	1687	2603	1722	2775	1759	2944	---	---	---	---
4750	1709	2641	1743	2811	1778	2979	---	---	---	---	---	---
5000	1768	2850	---	---	---	---	---	---	---	---	---	---
5250	---	---	---	---	---	---	---	---	---	---	---	---
5500	---	---	---	---	---	---	---	---	---	---	---	---
5750	---	---	---	---	---	---	---	---	---	---	---	---

**ELECTRICAL DATA****7.5 TON HIGH EFFICIENCY (R-410A)****LGH092H4**

<sup>1</sup> Voltage - 60hz		208/230V - 3 Ph			460V - 3 Ph			575V - 3 Ph		
Compressor 1	Rated Load Amps	13.1			6.1			4.4		
	Locked Rotor Amps	83.1			41			33		
Compressor 2	Rated Load Amps	13.1			6.1			4.4		
	Locked Rotor Amps	83.1			41			33		
Outdoor Fan Motors (2)	Full Load Amps	2.4			1.3			1		
	(total)	(4.8)			(2.6)			(2)		
Power Exhaust (1) 0.33 HP	Full Load Amps	2.4			1.3			1		
Service Outlet 115V GFI (amps)		15			15			20		
Indoor Blower Motor	Horsepower	2	3	5	2	3	5	2	3	5
	Full Load Amps	7.5	10.6	16.7	3.4	4.8	7.6	2.7	3.9	6.1
<sup>2</sup> Maximum Overcurrent Protection	Unit Only	50	50	60	25	25	30	15	20	20
	With (1) 0.33 HP Power Exhaust	50	60	70	25	25	30	20	20	25
<sup>3</sup> Minimum Circuit Ampacity	Unit Only	42	45	52	20	22	25	15	16	19
	With (1) 0.33 HP Power Exhaust	45	48	55	22	23	26	16	17	20

NOTE - All units have a minimum Short Circuit Current Rating (SCCR) of 5000 amps.

<sup>1</sup> Extremes of operating range are plus and minus 10% of line voltage.<sup>2</sup> HACR type breaker or fuse.<sup>3</sup> Refer to National or Canadian Electrical Code manual to determine wire, fuse and disconnect size requirements.**8.5 TON HIGH EFFICIENCY (R-410A)****LGH102H4**

<sup>1</sup> Voltage - 60hz		208/230V - 3 Ph			460V - 3 Ph			575V - 3 Ph		
Compressor 1	Rated Load Amps	13.7			6.2			4.8		
	Locked Rotor Amps	83.1			41			33		
Compressor 2	Rated Load Amps	13.7			6.2			4.8		
	Locked Rotor Amps	83.1			41			33		
Outdoor Fan Motors (2)	Full Load Amps	2.4			1.3			1		
	(total)	(4.8)			(2.6)			(2)		
Power Exhaust (1) 0.33 HP	Full Load Amps	2.4			1.3			1		
Service Outlet 115V GFI (amps)		15			15			20		
Indoor Blower Motor	Horsepower	2	3	5	2	3	5	2	3	5
	Full Load Amps	7.5	10.6	16.7	3.4	4.8	7.6	2.7	3.9	6.1
<sup>2</sup> Maximum Overcurrent Protection	Unit Only	50	50	60	25	25	30	20	20	25
	With (1) 0.33 HP Power Exhaust	50	60	70	25	25	30	20	20	25
<sup>3</sup> Minimum Circuit Ampacity	Unit Only	44	47	54	20	22	25	16	17	20
	With (1) 0.33 HP Power Exhaust	46	49	56	22	23	26	17	18	21

NOTE - All units have a minimum Short Circuit Current Rating (SCCR) of 5000 amps.

<sup>1</sup> Extremes of operating range are plus and minus 10% of line voltage.<sup>2</sup> HACR type breaker or fuse.<sup>3</sup> Refer to National or Canadian Electrical Code manual to determine wire, fuse and disconnect size requirements.

## ELECTRICAL DATA

### 10 TON HIGH EFFICIENCY (R-410A)

**LGH120H4**

<sup>1</sup> Voltage - 60hz		208/230V - 3 Ph			460V - 3 Ph			575V - 3 Ph		
Compressor 1	Rated Load Amps	13.5			8			5		
	Locked Rotor Amps	109			59			40		
Compressor 2	Rated Load Amps	13.5			8			5		
	Locked Rotor Amps	109			59			40		
Outdoor Fan Motors (2)	Full Load Amps	2.4			1.3			1		
	(total)	(4.8)			(2.6)			(2)		
Power Exhaust (1) 0.33 HP	Full Load Amps	2.4			1.3			1		
Service Outlet 115V GFI (amps)		15			15			20		
Indoor Blower Motor	Horsepower	2	3	5	2	3	5	2	3	5
	Full Load Amps	7.5	10.6	16.7	3.4	4.8	7.6	2.7	3.9	6.1
<sup>2</sup> Maximum Overcurrent Protection	Unit Only	50	50	60	30	30	35	20	20	25
	With (1) 0.33 HP Power Exhaust	50	60	70	30	30	35	20	20	25
<sup>3</sup> Minimum Circuit Ampacity	Unit Only	43	46	53	24	26	29	16	18	20
	With (1) 0.33 HP Power Exhaust	46	49	56	26	27	30	17	19	21

NOTE - All units have a minimum Short Circuit Current Rating (SCCR) of 5000 amps.

<sup>1</sup> Extremes of operating range are plus and minus 10% of line voltage.

<sup>2</sup> HACR type breaker or fuse.

<sup>3</sup> Refer to National or Canadian Electrical Code manual to determine wire, fuse and disconnect size requirements.

### 12.5 TON HIGH EFFICIENCY (R-410A)

**LGH150H4**

<sup>1</sup> Voltage - 60hz		208/230V - 3 Ph			460V - 3 Ph			575V - 3 Ph		
Compressor 1	Rated Load Amps	19.6			8.2			6.6		
	Locked Rotor Amps	136			66.1			55.3		
Compressor 2	Rated Load Amps	22.4			10.6			7.7		
	Locked Rotor Amps	149			75			54		
Outdoor Fan Motors (2)	Full Load Amps	3.2			1.7			1.5		
	(total)	(6.4)			(3.4)			(3)		
Power Exhaust (1) 0.33 HP	Full Load Amps	2.4			1.3			1		
Service Outlet 115V GFI (amps)		15			15			20		
Indoor Blower Motor	Horsepower	2	3	5	2	3	5	2	3	5
	Full Load Amps	7.5	10.6	16.7	3.4	4.8	7.6	2.7	3.9	6.1
<sup>2</sup> Maximum Overcurrent Protection	Unit Only	80 (70)	80	90	35	35	40	25	30	30
	With (1) 0.33 HP Power Exhaust	80(70)	80	90	35	40	40	30	30	30
<sup>3</sup> Minimum Circuit Ampacity	Unit Only	62 (58)	65	71	28	30	33	22	23	25
	With (1) 0.33 HP Power Exhaust	64 (60)	67	73	30	31	34	23	24	26

NOTE - All units have a minimum Short Circuit Current Rating (SCCR) of 5000 amps.

<sup>1</sup> Extremes of operating range are plus and minus 10% of line voltage.

<sup>2</sup> HACR type breaker or fuse.

<sup>3</sup> Refer to National or Canadian Electrical Code manual to determine wire, fuse and disconnect size requirements.

**ELECTRICAL DATA****7.5 TON****DIRECT DRIVE****LGH094U4E**

<sup>1</sup> Voltage - 60hz		208/230V - 3 Ph	460V - 3 Ph	575V - 3 Ph
Compressor 1	Rated Load Amps	13.1	6.1	4.4
	Locked Rotor Amps	83.1	41	33
Compressor 2	Rated Load Amps	13.1	6.1	4.4
	Locked Rotor Amps	83.1	41	33
Outdoor Fan Motors (3)	Full Load Amps	2.8	1.4	1.1
	(total)	(8.4)	(4.2)	(3.3)
Power Exhaust (1) 0.33 HP	Full Load Amps	2.4	1.3	1
Service Outlet 115V GFI (amps)		15	15	20
Indoor Blower Motor	Horsepower	3.75	3.75	3.75
	Full Load Amps	8.8	4.3	3.4
<sup>2</sup> Maximum Overcurrent Protection	Unit Only	60	30	20
	With (1) 0.33 HP Power Exhaust	60	30	20
<sup>3</sup> Minimum Circuit Ampacity	Unit Only	51	25	19
	With (1) 0.33 HP Power Exhaust	53	26	20

NOTE - All units have a minimum Short Circuit Current Rating (SCCR) of 5000 amps.

<sup>1</sup> Extremes of operating range are plus and minus 10% of line voltage.<sup>2</sup> HACR type breaker or fuse.<sup>3</sup> Refer to National or Canadian Electrical Code manual to determine wire, fuse and disconnect size requirements.**ELECTRICAL DATA****10 TON****DIRECT DRIVE****LGH122U4E**

<sup>1</sup> Voltage - 60hz		208/230V - 3 Ph	460V - 3 Ph	575V - 3 Ph
Compressor 1	Rated Load Amps	16	7.8	5.7
	Locked Rotor Amps	110	52	38.9
Compressor 2	Rated Load Amps	16	7.8	5.7
	Locked Rotor Amps	110	52	38.9
Outdoor Fan Motors (3)	Full Load Amps	2.8	1.4	1.1
	(total)	(8.4)	(4.2)	(3.3)
Power Exhaust (1) 0.33 HP	Full Load Amps	2.4	1.3	1
Service Outlet 115V GFI (amps)		15	15	20
Indoor Blower Motor	Horsepower	3.75	3.75	3.75
	Full Load Amps	8.8	4.3	3.4
<sup>2</sup> Maximum Overcurrent Protection	Unit Only	70	35	25
	With (1) 0.33 HP Power Exhaust	70	35	25
<sup>3</sup> Minimum Circuit Ampacity	Unit Only	58	29	22
	With (1) 0.33 HP Power Exhaust	60	30	23

NOTE - All units have a minimum Short Circuit Current Rating (SCCR) of 5000 amps.

<sup>1</sup> Extremes of operating range are plus and minus 10% of line voltage.<sup>2</sup> HACR type breaker or fuse.<sup>3</sup> Refer to National or Canadian Electrical Code manual to determine wire, fuse and disconnect size requirements.

**ELECTRICAL DATA****12.5 TON****DIRECT DRIVE****LGH152U4E**

<sup>1</sup> Voltage - 60hz		208/230V - 3 Ph	460V - 3 Ph	575V - 3 Ph
Compressor 1	Rated Load Amps	19.6	8.2	6.6
	Locked Rotor Amps	136	66.1	55.3
Compressor 2	Rated Load Amps	19.6	8.2	6.6
	Locked Rotor Amps	136	66.1	55.3
Outdoor Fan Motors (3)	Full Load Amps	2.8	1.4	1.1
	(total)	(8.4)	(4.2)	(3.3)
Power Exhaust (1) 0.33 HP	Full Load Amps	2.4	1.3	1
Service Outlet 115V GFI (amps)		15	15	20
Indoor Blower Motor	Horsepower	3.75	3.75	3.75
	Full Load Amps	8.8	4.3	3.4
<sup>2</sup> Maximum Overcurrent Protection	Unit Only	80	35	30
	With (1) 0.33 HP Power Exhaust	80	35	30
<sup>3</sup> Minimum Circuit Ampacity	Unit Only	66	30	24
	With (1) 0.33 HP Power Exhaust	68	31	25

NOTE - All units have a minimum Short Circuit Current Rating (SCCR) of 5000 amps.

<sup>1</sup> Extremes of operating range are plus and minus 10% of line voltage.<sup>2</sup> HACR type breaker or fuse.<sup>3</sup> Refer to National or Canadian Electrical Code manual to determine wire, fuse and disconnect size requirements.

**ELECTRICAL DATA****7.5 TON****BELT DRIVE****LGH094U4M**

<sup>1</sup> Voltage - 60hz		208/230V - 3 Ph			460V - 3 Ph			575V - 3 Ph		
Compressor 1	Rated Load Amps	13.1			6.1			4.4		
	Locked Rotor Amps	83.1			41			33		
Compressor 2	Rated Load Amps	13.1			6.1			4.4		
	Locked Rotor Amps	83.1			41			33		
Outdoor Fan Motors (3)	Full Load Amps	2.8			1.4			1.1		
	(total)	(8.4)			(4.2)			(3.3)		
Power Exhaust (1) 0.33 HP	Full Load Amps	2.4			1.3			1		
Service Outlet 115V GFI (amps)		15			15			20		
Indoor Blower Motor	Horsepower	2	3	5	2	3	5	2	3	5
	Full Load Amps	7.5	10.6	16.7	3.4	4.8	7.6	2.7	3.9	6.1
<sup>2</sup> Maximum Overcurrent Protection	Unit Only	60	60	70	25	30	35	20	20	25
	With (1) 0.33 HP Power Exhaust	60	60	70	30	30	35	20	20	25
<sup>3</sup> Minimum Circuit Ampacity	Unit Only	50	53	60	24	25	28	18	19	22
	With (1) 0.33 HP Power Exhaust	52	55	62	25	27	30	19	20	23

NOTE - All units have a minimum Short Circuit Current Rating (SCCR) of 5000 amps.

<sup>1</sup> Extremes of operating range are plus and minus 10% of line voltage.<sup>2</sup> HACR type breaker or fuse.<sup>3</sup> Refer to National or Canadian Electrical Code manual to determine wire, fuse and disconnect size requirements.<sup>4</sup> Factory installed circuit breaker not available.**ELECTRICAL DATA****10 TON****BELT DRIVE****LGH122U4M**

<sup>1</sup> Voltage - 60hz		208/230V - 3 Ph			460V - 3 Ph			575V - 3 Ph		
Compressor 1	Rated Load Amps	16.5			7.2			5.5		
	Locked Rotor Amps	110			52			38.9		
Compressor 2	Rated Load Amps	16			7.8			5.7		
	Locked Rotor Amps	110			52			38.9		
Outdoor Fan Motors (3)	Full Load Amps	2.8			1.4			1.1		
	(total)	(8.4)			(4.2)			(3.3)		
Power Exhaust (1) 0.33 HP	Full Load Amps	2.4			1.3			1		
Service Outlet 115V GFI (amps)		15			15			20		
Indoor Blower Motor	Horsepower	2	3	5	2	3	5	2	3	5
	Full Load Amps	7.5	10.6	16.7	3.4	4.8	7.6	2.7	3.9	6.1
<sup>2</sup> Maximum Overcurrent Protection	Unit Only	70	70	80	30	35	35	25	25	25
	With (1) 0.33 HP Power Exhaust	70	70	80	35	35	35	25	25	30
<sup>3</sup> Minimum Circuit Ampacity	Unit Only	57	60	66	27	29	31	21	22	24
	With (1) 0.33 HP Power Exhaust	59	62	69	28	30	33	22	23	25

NOTE - All units have a minimum Short Circuit Current Rating (SCCR) of 5000 amps.

<sup>1</sup> Extremes of operating range are plus and minus 10% of line voltage.<sup>2</sup> HACR type breaker or fuse.<sup>3</sup> Refer to National or Canadian Electrical Code manual to determine wire, fuse and disconnect size requirements.<sup>4</sup> Factory installed circuit breaker not available.<sup>5</sup> Disconnect must be field furnished.

**ELECTRICAL DATA****7.5 TON****BELT DRIVE****LGH094U4M**

<sup>1</sup> Voltage - 60hz		208/230V - 3 Ph			460V - 3 Ph			575V - 3 Ph		
Compressor 1	Rated Load Amps	13.1			6.1			4.4		
	Locked Rotor Amps	83.1			41			33		
Compressor 2	Rated Load Amps	13.1			6.1			4.4		
	Locked Rotor Amps	83.1			41			33		
Outdoor Fan Motors (3)	Full Load Amps	2.8			1.4			1.1		
	(total)	(8.4)			(4.2)			(3.3)		
Power Exhaust (1) 0.33 HP	Full Load Amps	2.4			1.3			1		
Service Outlet 115V GFI (amps)		15			15			20		
Indoor Blower Motor	Horsepower	2	3	5	2	3	5	2	3	5
	Full Load Amps	7.5	10.6	16.7	3.4	4.8	7.6	2.7	3.9	6.1
<sup>2</sup> Maximum Overcurrent Protection	Unit Only	60	60	70	25	30	35	20	20	25
	With (1) 0.33 HP Power Exhaust	60	60	70	30	30	35	20	20	25
<sup>3</sup> Minimum Circuit Ampacity	Unit Only	50	53	60	24	25	28	18	19	22
	With (1) 0.33 HP Power Exhaust	52	55	62	25	27	30	19	20	23

NOTE - All units have a minimum Short Circuit Current Rating (SCCR) of 5000 amps.

<sup>1</sup> Extremes of operating range are plus and minus 10% of line voltage.<sup>2</sup> HACR type breaker or fuse.<sup>3</sup> Refer to National or Canadian Electrical Code manual to determine wire, fuse and disconnect size requirements.<sup>4</sup> Factory installed circuit breaker not available.**ELECTRICAL DATA****10 TON****BELT DRIVE****LGH122U4M**

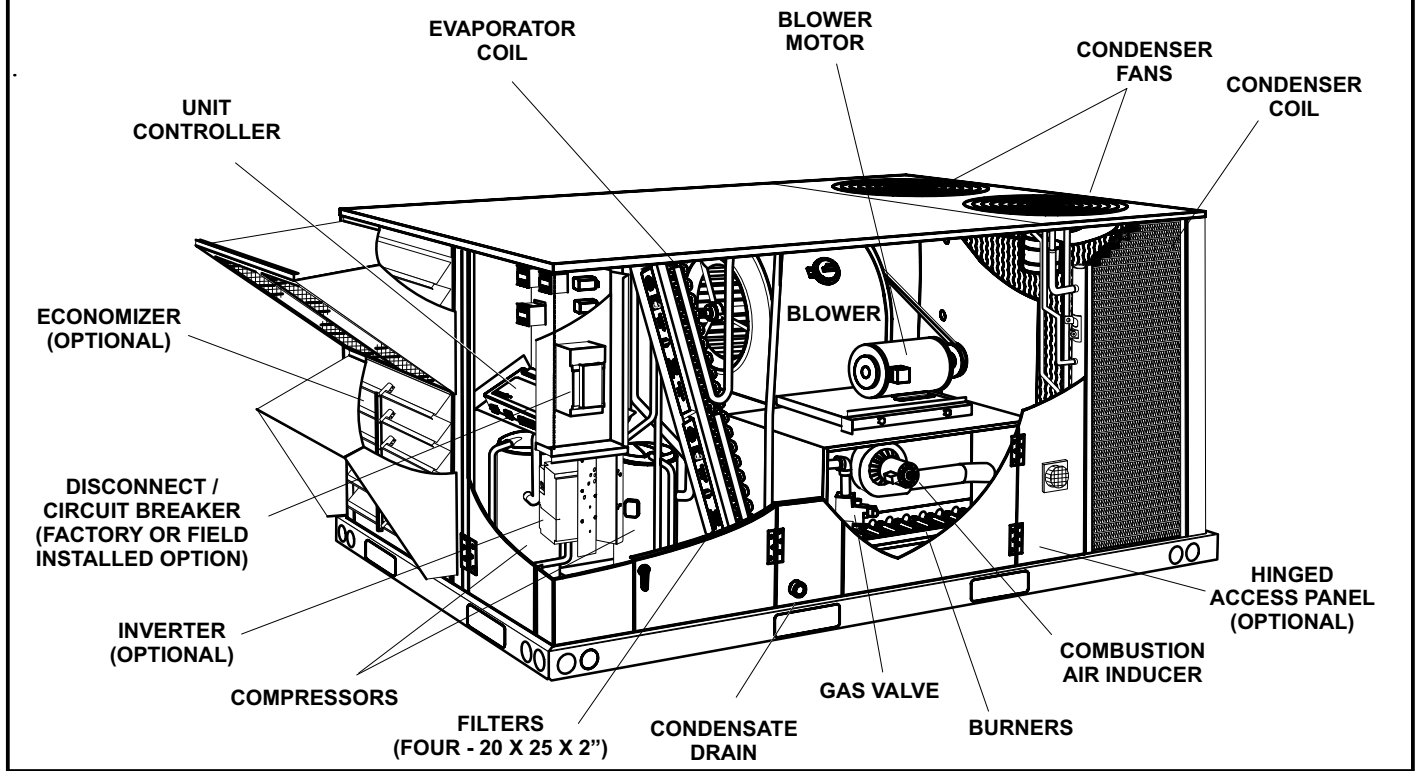
<sup>1</sup> Voltage - 60hz		208/230V - 3 Ph			460V - 3 Ph			575V - 3 Ph		
Compressor 1	Rated Load Amps	16.5			7.2			5.5		
	Locked Rotor Amps	110			52			38.9		
Compressor 2	Rated Load Amps	16			7.8			5.7		
	Locked Rotor Amps	110			52			38.9		
Outdoor Fan Motors (3)	Full Load Amps	2.8			1.4			1.1		
	(total)	(8.4)			(4.2)			(3.3)		
Power Exhaust (1) 0.33 HP	Full Load Amps	2.4			1.3			1		
Service Outlet 115V GFI (amps)		15			15			20		
Indoor Blower Motor	Horsepower	2	3	5	2	3	5	2	3	5
	Full Load Amps	7.5	10.6	16.7	3.4	4.8	7.6	2.7	3.9	6.1
<sup>2</sup> Maximum Overcurrent Protection	Unit Only	70	70	80	30	35	35	25	25	25
	With (1) 0.33 HP Power Exhaust	70	70	80	35	35	35	25	25	30
<sup>3</sup> Minimum Circuit Ampacity	Unit Only	57	60	66	27	29	31	21	22	24
	With (1) 0.33 HP Power Exhaust	59	62	69	28	30	33	22	23	25

NOTE - All units have a minimum Short Circuit Current Rating (SCCR) of 5000 amps.

<sup>1</sup> Extremes of operating range are plus and minus 10% of line voltage.<sup>2</sup> HACR type breaker or fuse.<sup>3</sup> Refer to National or Canadian Electrical Code manual to determine wire, fuse and disconnect size requirements.<sup>4</sup> Factory installed circuit breaker not available.<sup>5</sup> Disconnect must be field furnished.

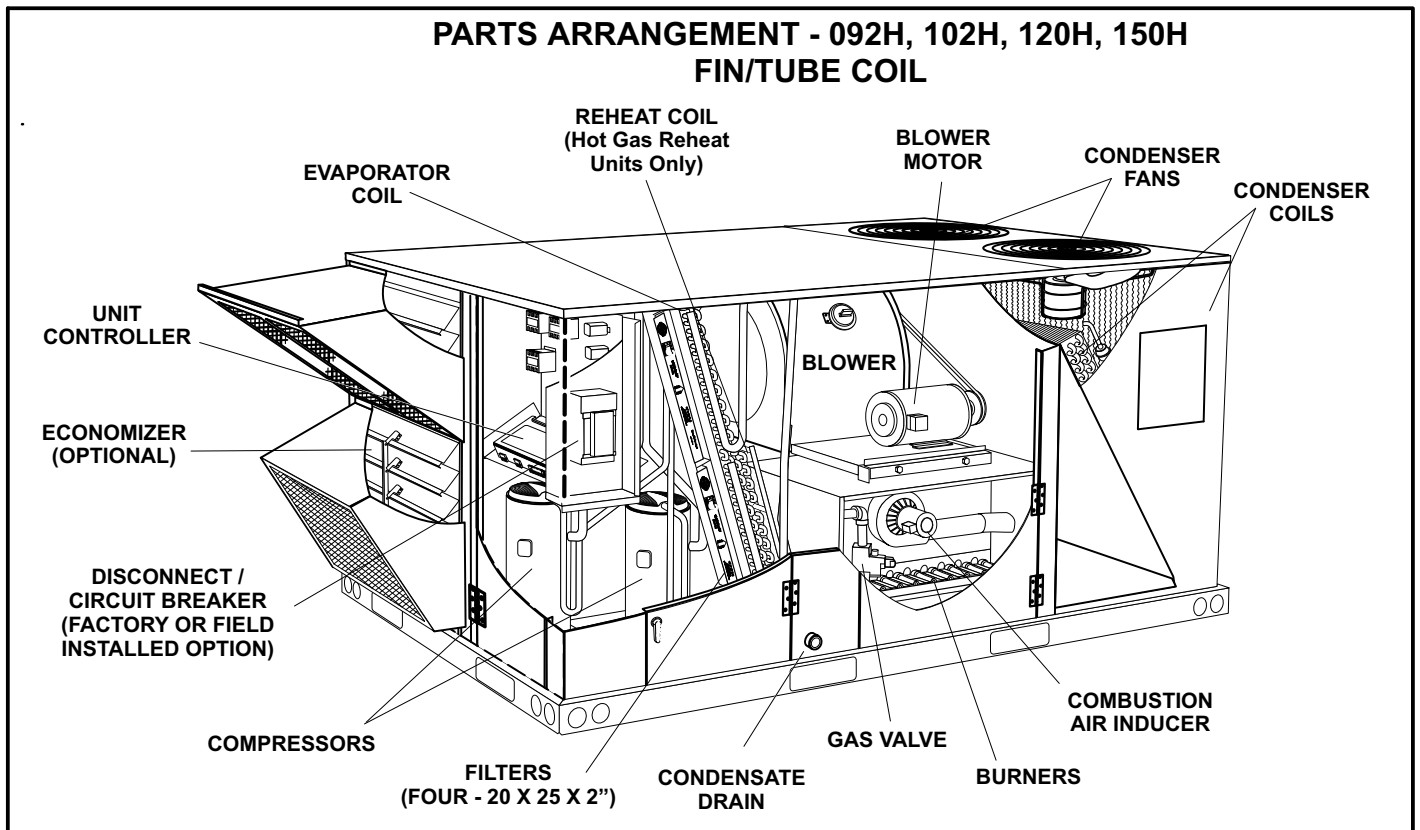


**PARTS ARRANGEMENT - 092H, 102H, 120H, 150S  
ALL-ALUMINUM COIL SYSTEM**



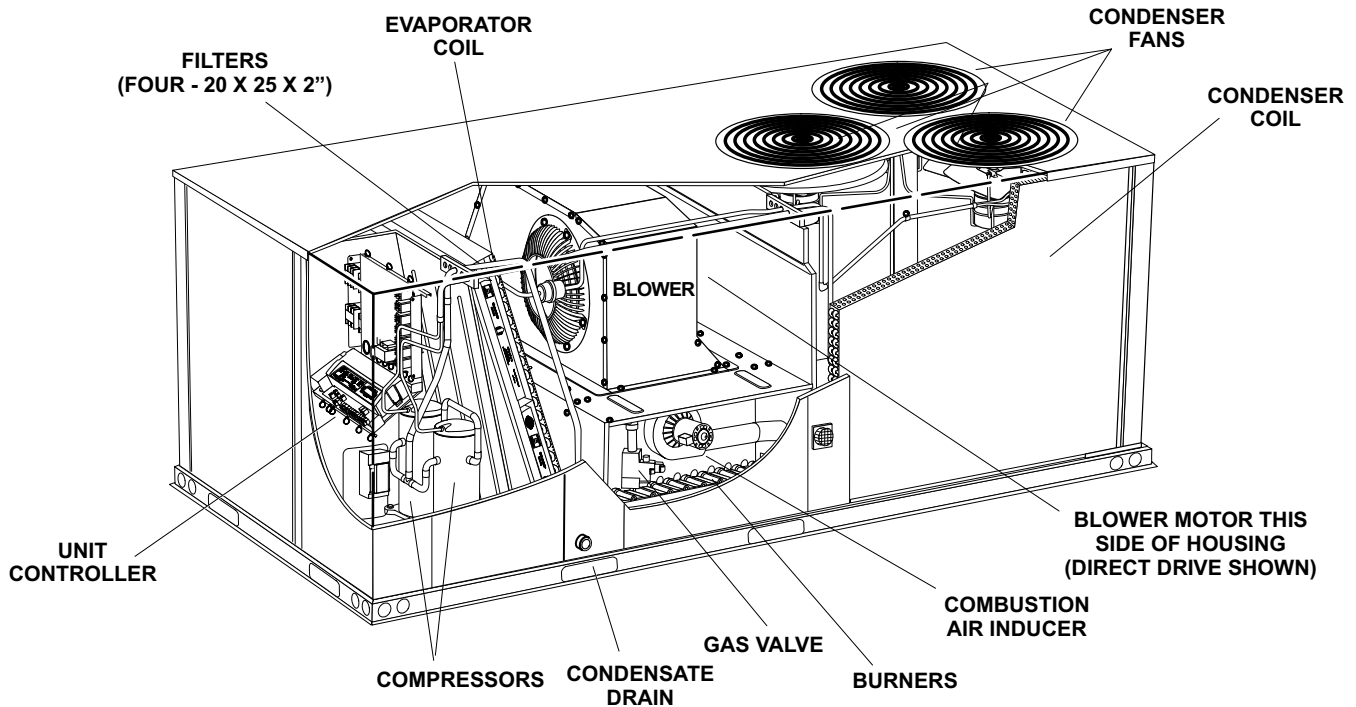
**FIGURE 1**

**PARTS ARRANGEMENT - 092H, 102H, 120H, 150H  
FIN/TUBE COIL**



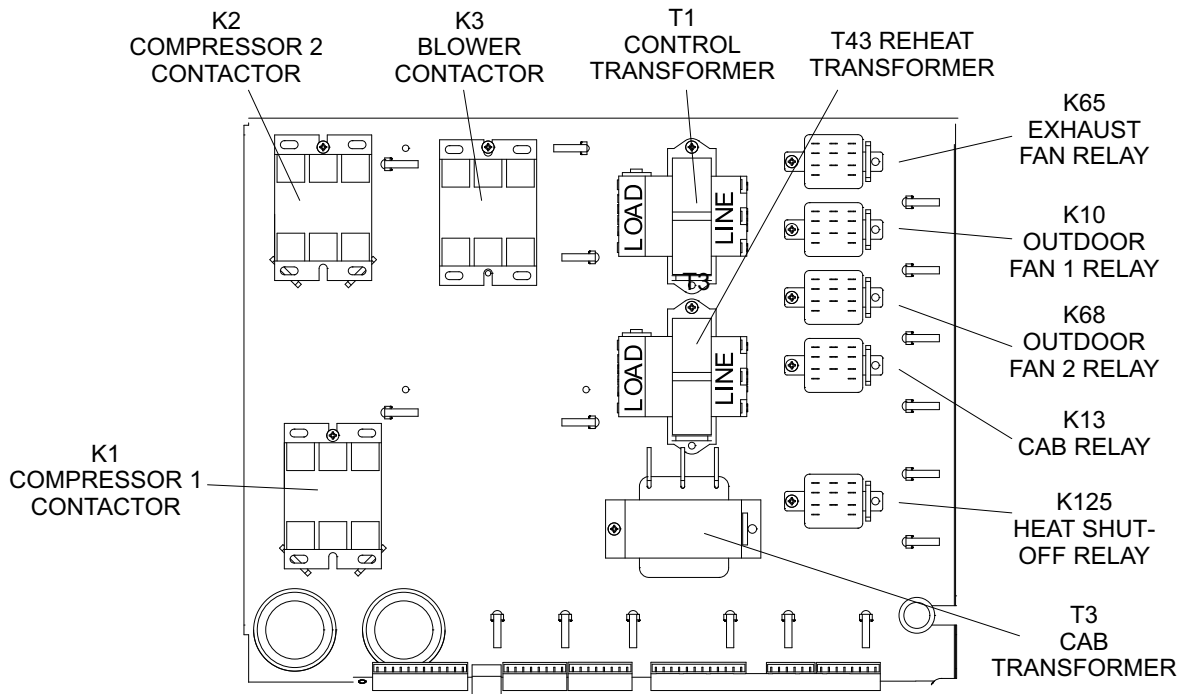
**FIGURE 2**

**PARTS ARRANGEMENT - 094U, 122U, 152U  
FIN/TUBE COIL**



**FIGURE 3**

**CONTROL BOX PARTS ARRANGEMENT -  
STANDARD AND HIGH EFFICIENCY NON-CE UNITS**



**FIGURE 4**

## CONTROL BOX PARTS ARRANGEMENT - ULTRA HIGH EFFICIENCY NON-CE UNITS

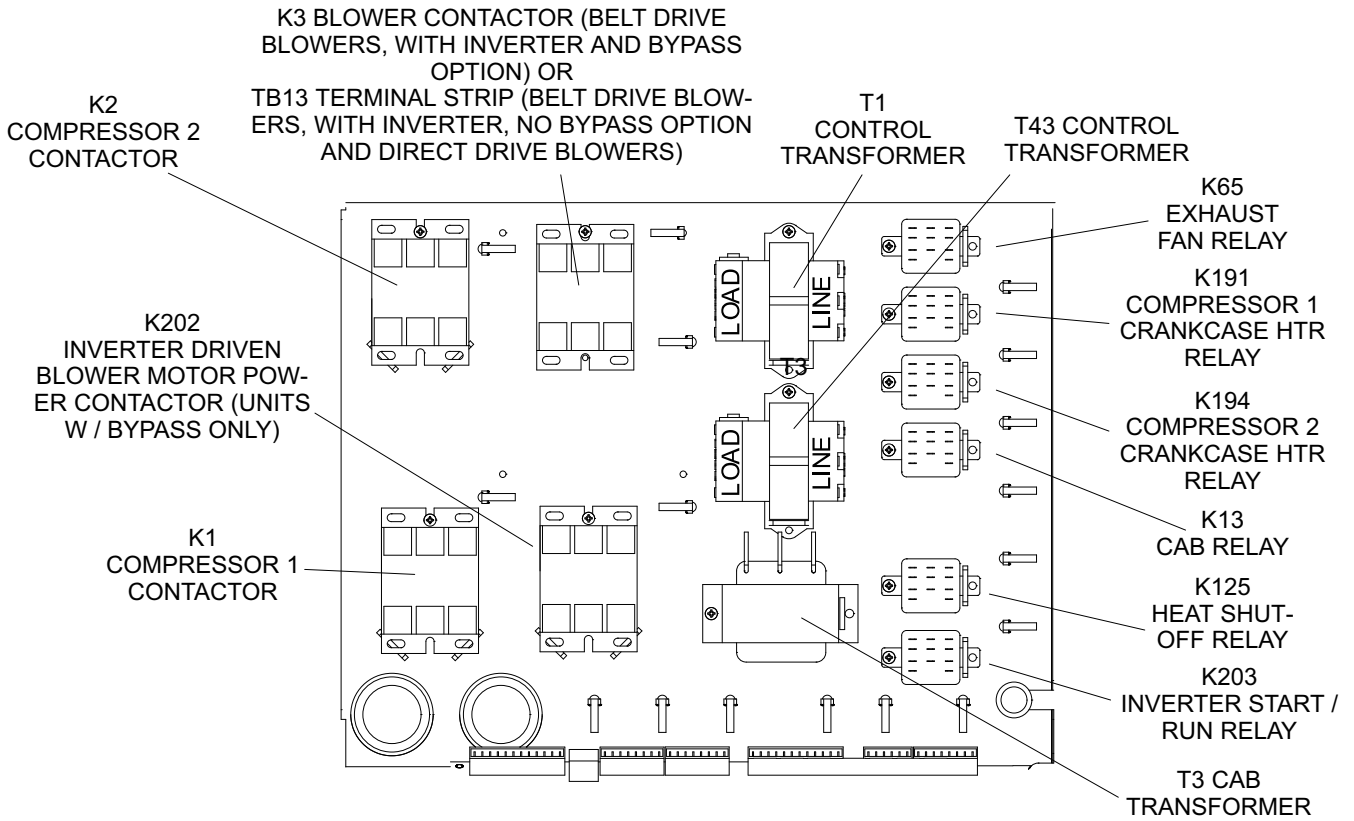


FIGURE 5

## CONTROL BOX PARTS ARRANGEMENT - CE UNITS

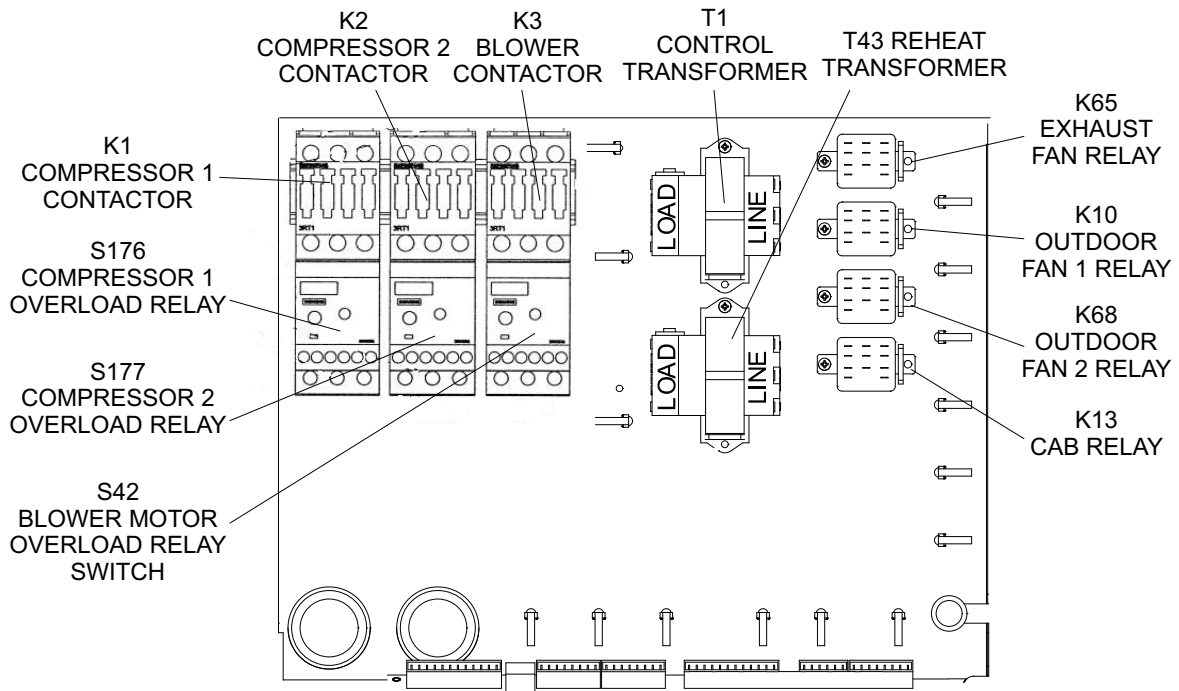


FIGURE 6

## I-UNIT COMPONENTS

### ⚠ WARNING



**Electric shock hazard. Can cause injury or death. Before attempting to perform any service or maintenance, turn the electrical power to unit OFF at disconnect switch(es). Unit may have multiple power supplies.**

All 7.5 through 12.5 ton (38.1 through 70.3 kW) units are configured to order units (CTO). The LGH unit components are shown in figure 1, 2 or 3. All units come standard with hinged unit panels. All L1, L2 and L3 wiring is color coded; L1 is red, L2 is yellow and L3 is blue.

### A-Control Box Components

#### ELECTROSTATIC DISCHARGE (ESD) Precautions and Procedures

### ⚠ CAUTION

**Electrostatic discharge can affect electronic components. Take precautions during unit installation and service to protect the unit's electronic controls. Precautions will help to avoid control exposure to electrostatic discharge by putting the unit, the control and the technician at the same electrostatic potential. Neutralize electrostatic charge by touching hand and all tools on an unpainted unit surface, such as the gas valve or blower deck, before performing any service procedure.**

LGH control box components are shown in figures 4, 5 and 6. The control box is located in the upper portion of the compressor compartment.

#### 1-Disconnect Switch S48 (Optional)

All units may be equipped with an optional disconnect switch S48. Other factory or field installed optional circuit breakers may be used, such as CB10. S48 and CB10 are toggle switches, which can be used by the service technician to disconnect power to the unit.

#### 2-Control Transformer T1

All use a single line voltage to 24VAC transformer mounted in the control box. Transformer supplies power to control circuits in the unit. The transformer is rated at 70VA and is protected by a 3.5 amp circuit breaker (CB8). The 208/230 (Y) voltage transformers use primary voltage taps as shown in figure 7, while 460 (G) and 575 (J) voltage transformers use a single primary voltage tap.

#### 3-Outdoor Fan Relay K10, K68

Outdoor fan relays K10 and K68 are DPDT relays with a 24VAC coil. In standard and high efficiency units, K10 and K68 energize condenser fans B4 and B5. In ultra high efficiency units, K10 and K68 energize compressor 1 and 2 crankcase heaters.

#### 4-Outdoor Fan Capacitors C1, C2 (non-Ultra units)

Fan capacitors C1 and C2 370V / 10 MFD capacitors are used to assist in the start up of condenser fans B4 and B5.

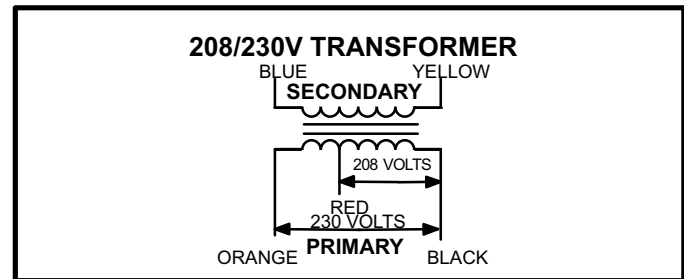


FIGURE 7

#### 5-C. A. I. Transformers T3 all 460V & 575V units

All LGH 460 (G) and 575 (J) voltage units use transformer T3. The auto voltage to 230VAC transformer is mounted in the control box. The transformer has an output rating of 0.5A. T3 transformer supplies 230 VAC power to combustion air blower motor (B6).

#### 6-Compressor Contactor K1, K2

All compressor contactors are three-pole, double-break contactors with 24VAC coils. K1 and K2 (both energized by A55) energize compressors B1 and B2. On CE M-volt units, contactor is CE approved by manufacturer (Siemens). See figure 8.

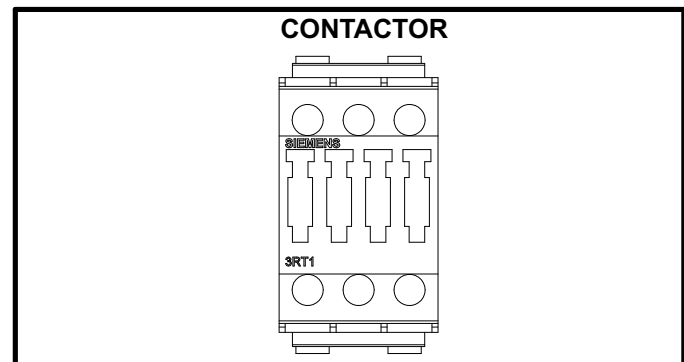


FIGURE 8

#### 7-Combustion Air Inducer Relay K13

Combustion air inducer relay K13, used in all LGH units, is a DPDT relay with a 24VAC coil. K13 is energized by the A55 Unit Controller. K13 remains energized throughout the heating demand. When energized, K13 N.O. contacts close to energize combustion air blower and begin a heating sequence. Pressure switch S18, located in the compressor compartment, closes as combustion air static pressure falls to "prove" combustion air inducer operation. When S18 closes, the ignition controls and gas valves are energized to begin a heating sequence.

#### 8-Blower Contactor K3

K3 is used in units with a constant blower speed or a staged blower which is not equipped with a bypass option. K3 is a three-pole-double-break contactor with a 24VAC coil used to energize the indoor blower motor B3 in response to blower demand. K3 is energized by A55 Unit Controller. On M-volt CE units, the contactor is CE approved by manufacturer (Siemens). See figure 8.

### 9-Burner Controls A3

A3 controls gas heat section burner controls. Burner controls are factory set and are not adjustable. The control makes three attempts at ignition and then locks out the system if ignition is not obtained after the third trial. Reset after lockout requires only breaking and remaking thermostat demand. The control shuts off gas flow immediately in the event of a gas or power failure. Upon restoration of gas and power, the control will restart the ignition sequence and continue until flame is established or system locks out. For a more detailed description see the Gas Heat Components section.

### 10-Power Exhaust Relay K65 (PED units)

Power exhaust relay K65 is a N.O. DPDT relay with a 24VAC coil. K65 is used in all LGH units equipped with the optional power exhaust dampers. K65 is energized by the economizer control panel (A56), after the economizer dampers reach 50% open (adjustable in ECTO). When K65 closes, the exhaust fans B10 and B11 are energized.

### 11-Blower Motor Overload Relay S42

Two hp high efficiency blower motors and M-volt unit blower motors are equipped with an overload relay. High efficiency blower motors and M-volt unit blower motors manufactured before Dec. 19, 2010, are equipped with the relay. Ultra high efficiency units equipped with a direct drive blower have an internal overload.

The relay (S42) is connected in line with the blower motor to monitor the current flow to the motor. When the relay senses an overload condition, a set of normally closed contacts open to de-energize the blower. Units will be equipped with a relay manufactured by Telemecanique figure 9 or Siemens figure 10.

### 12-Unit Controller A55

The Unit Controller provides all unit control functions, unit status information, unit diagnostics, programmable parameters and USB verification and profile sharing. Use the Unit Controller keypad and display to navigate through menus. Software is also available to access the Unit Controller. Refer to the Unit Controller guide provided with the unit. Thermostat wires are connected to J297 on the Unit Controller.

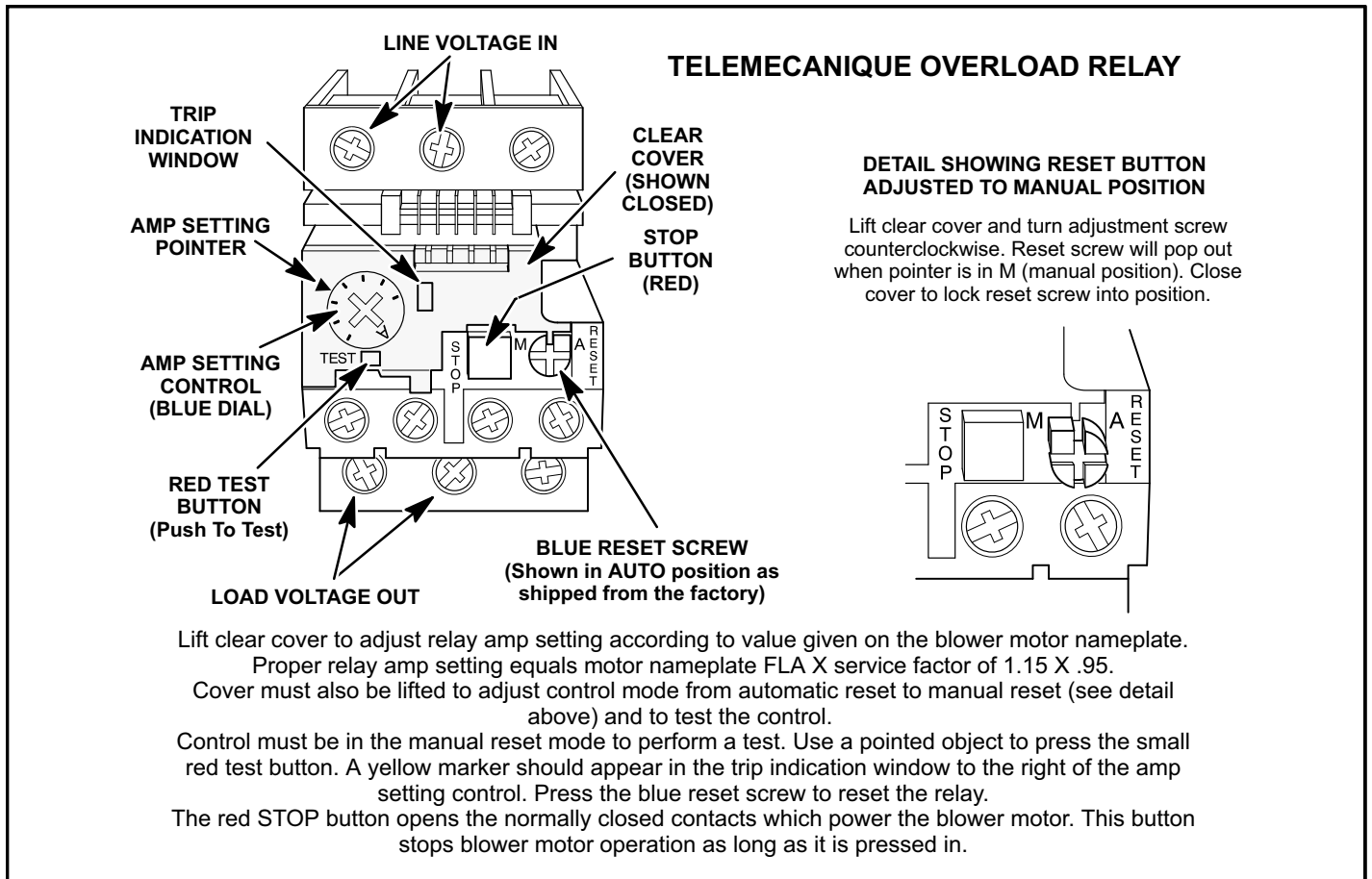
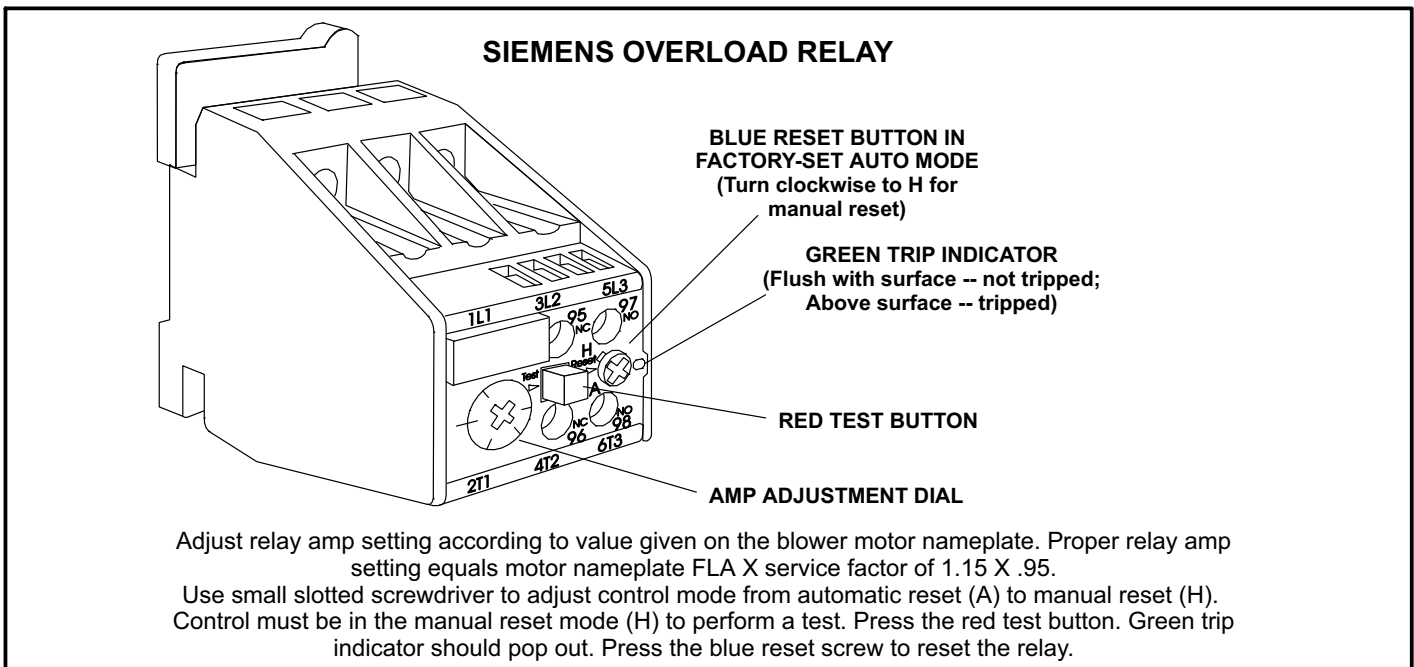


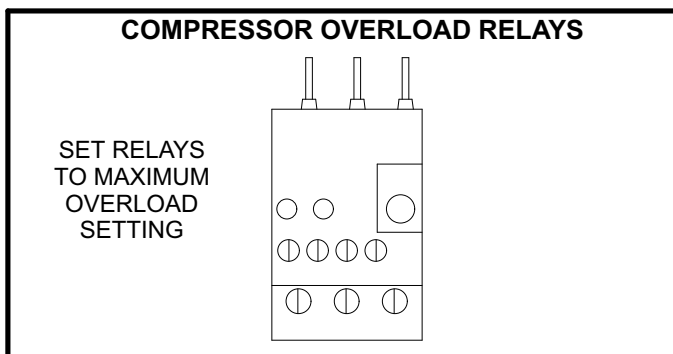
FIGURE 9



**FIGURE 10**

**13-Compressor Overload Relays S176, S177 (M-volt CE units)**

Relays are wired in series with the appropriate compressor contactor and monitor the current flow to the compressor motor. When the relay senses an overload condition, N.C. contacts open to de-energize the compressor. Relays are manufactured by Siemens; see figure 11.



**FIGURE 11**

**14-Variable Frequency Drive A96 (optional)**

Units may be equipped with a VFD which alters the supply power frequency and voltage to the blower motor. Blower speed is staged depending on the compressor stages, heating demand, ventilation demand, or smoke alarm. The amount of airflow for each stage is preset from the factory. Airflow can be adjusted as shown in Belt Drive Supply Air Inverter section. The VFD is located below the Unit Controller.

**15-VFD Power To Motor Contactor K202 (optional)**

Contactor is used in VFD units equipped with a VFD bypass option. The three-pole contactor with a 24VAC coil is energized by the A55 Unit Controller. K202 allows power from the VFD to the B3 blower motor in response to blower demand.

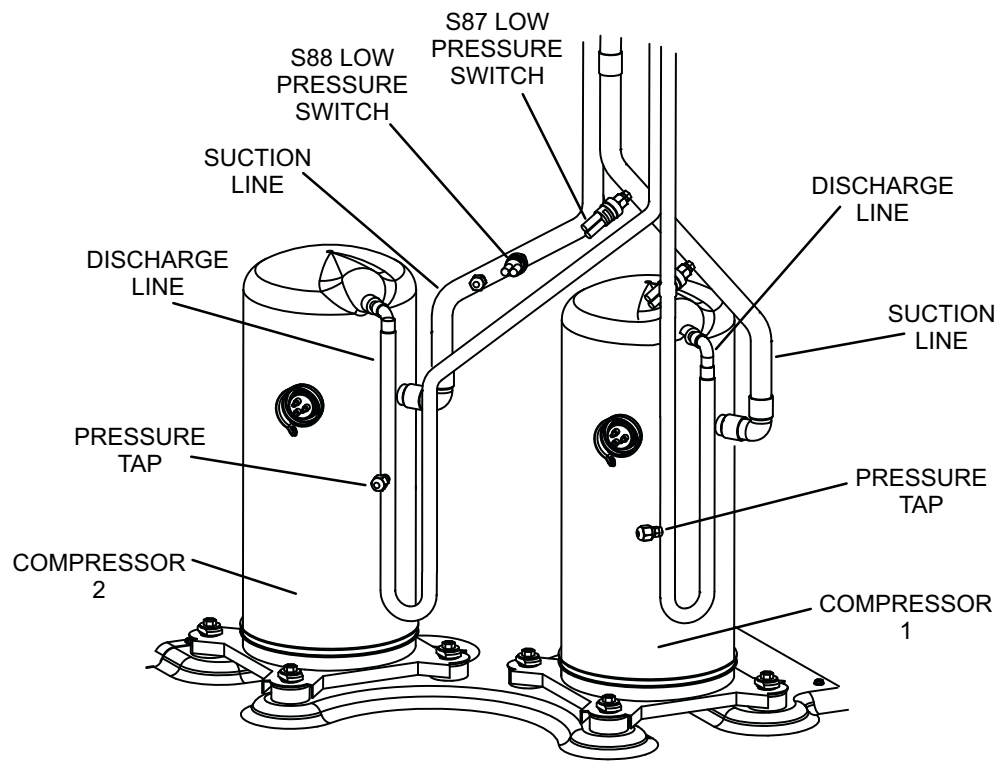
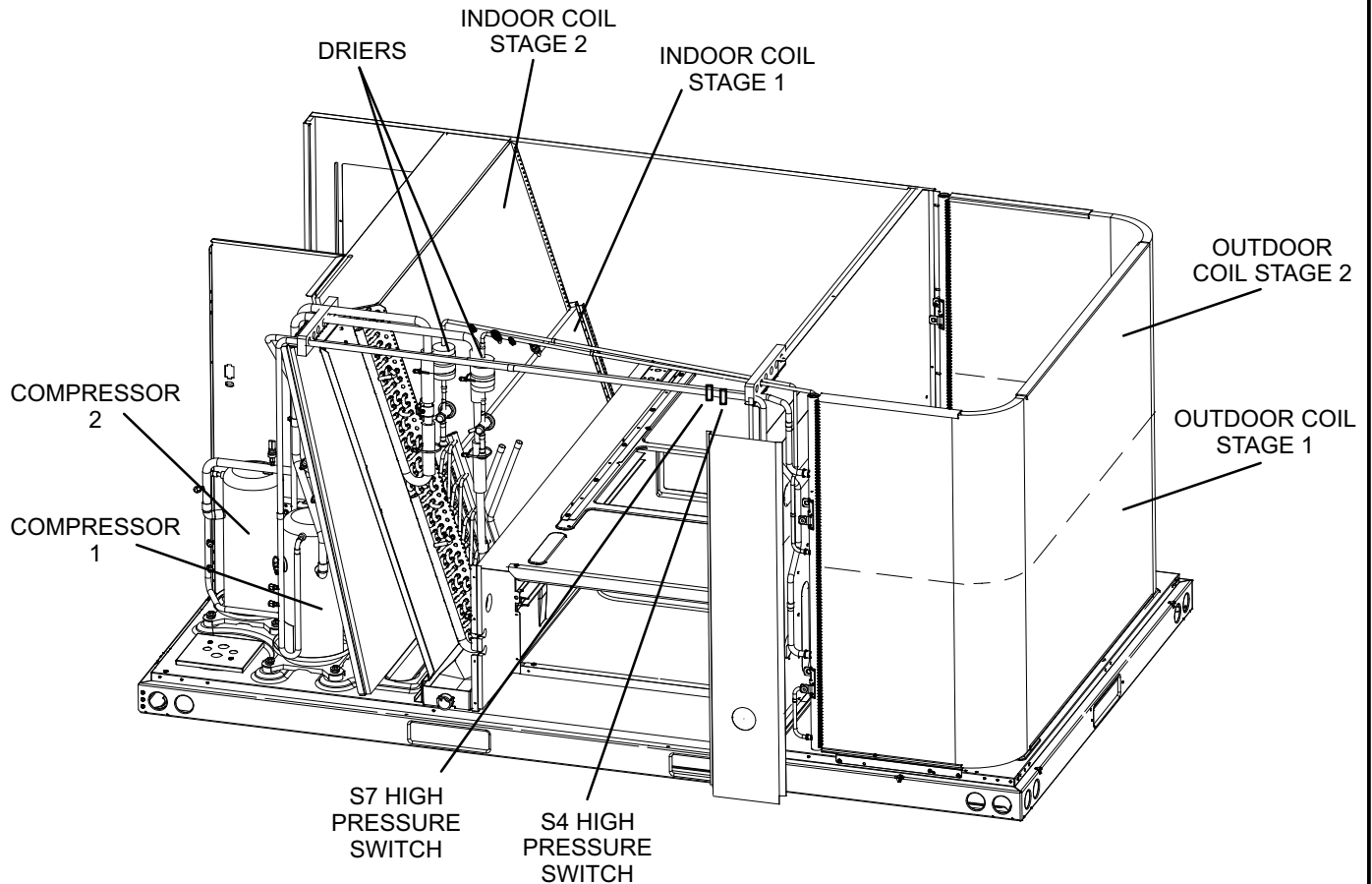
**16-Inverter Start Forward Rotation Relay K203 (optional)**

Relay is used in optional VFD units and is a three-pole double-throw relay with a 24VAC coil. K203 is energized by the A55 Unit Controller and provides input to the A96 VFD to start blower forward rotation. K203 also de-energizes K3 allowing A96 to control B3 blower.

**17-VFD Controller (GP board) A133 (VFD units)**

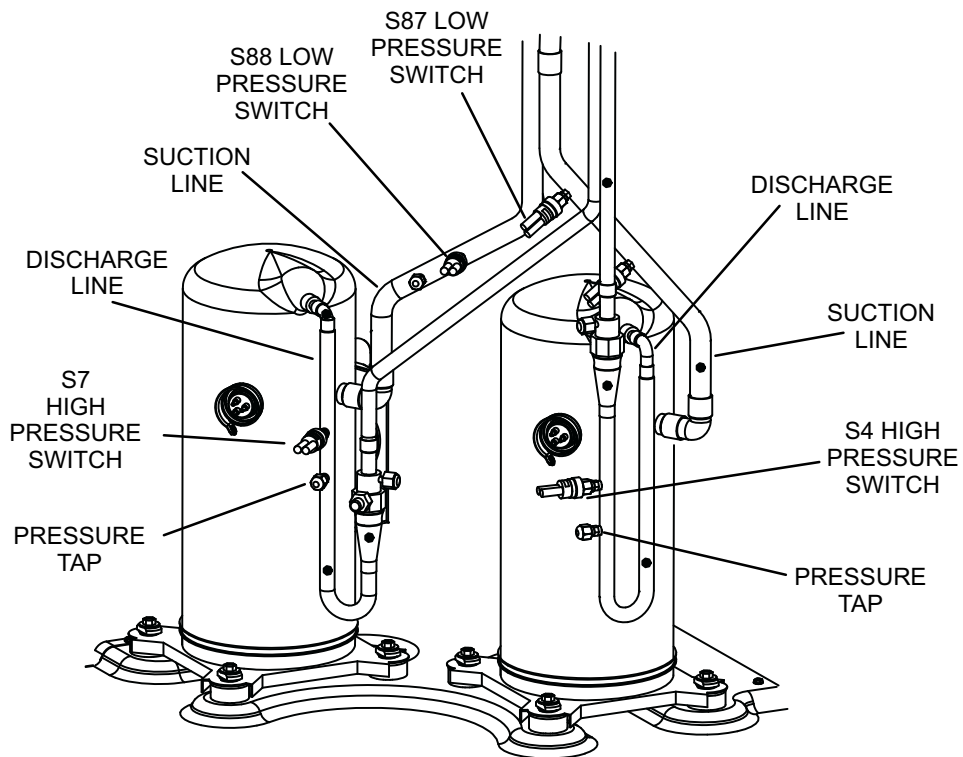
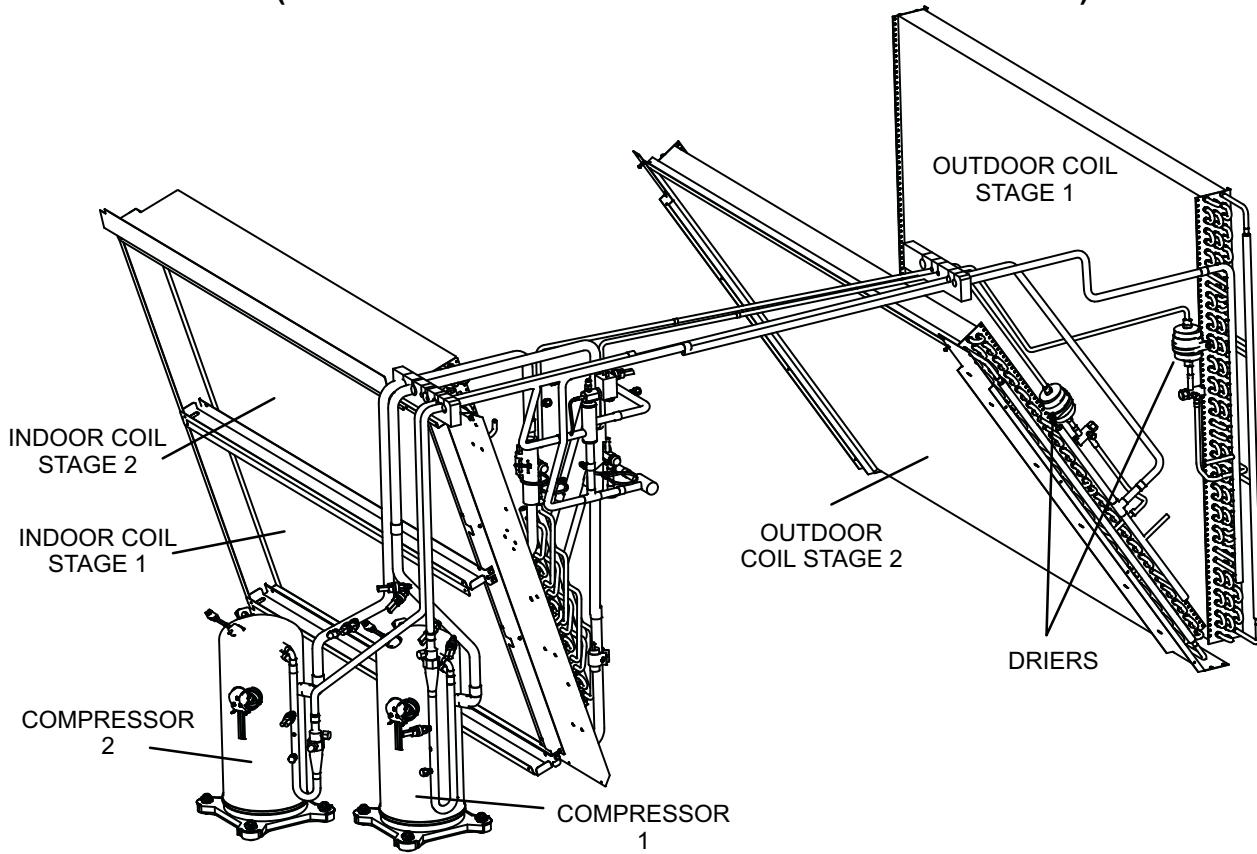
M2 and earlier versions of Unit Controller only. The GP board A133 controls and monitors the status of the VFD A96. The board sends the signal to start the VFD forward rotation and also sends a 0-10VDC signal to the VFD to control the speed of the blower rotation. A133 also reports VFD malfunctions to the A55.

**PLUMBING, COMPRESSOR AND REFRIGERANT CIRCUITS DETAIL  
(HIGH EFFICIENCY ALL-ALUMINUM OUTDOOR COIL)**



**FIGURE 12**  
Page 31

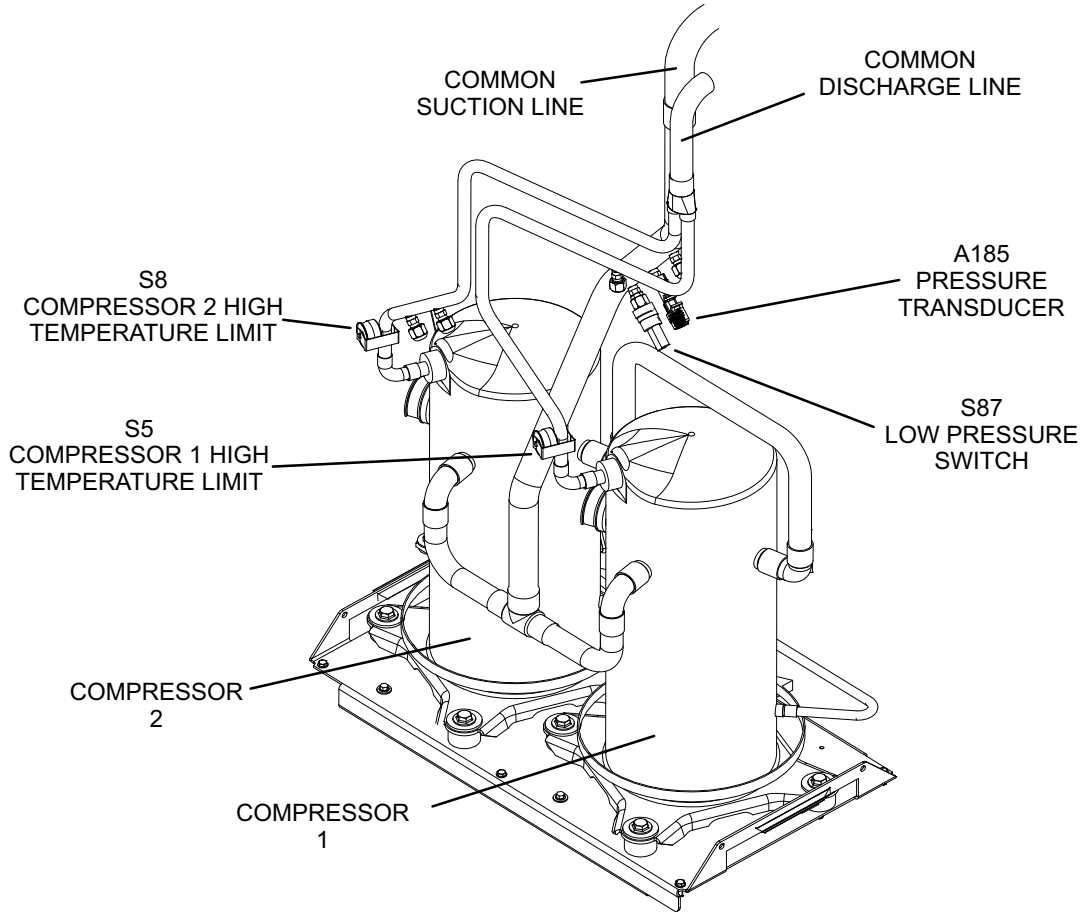
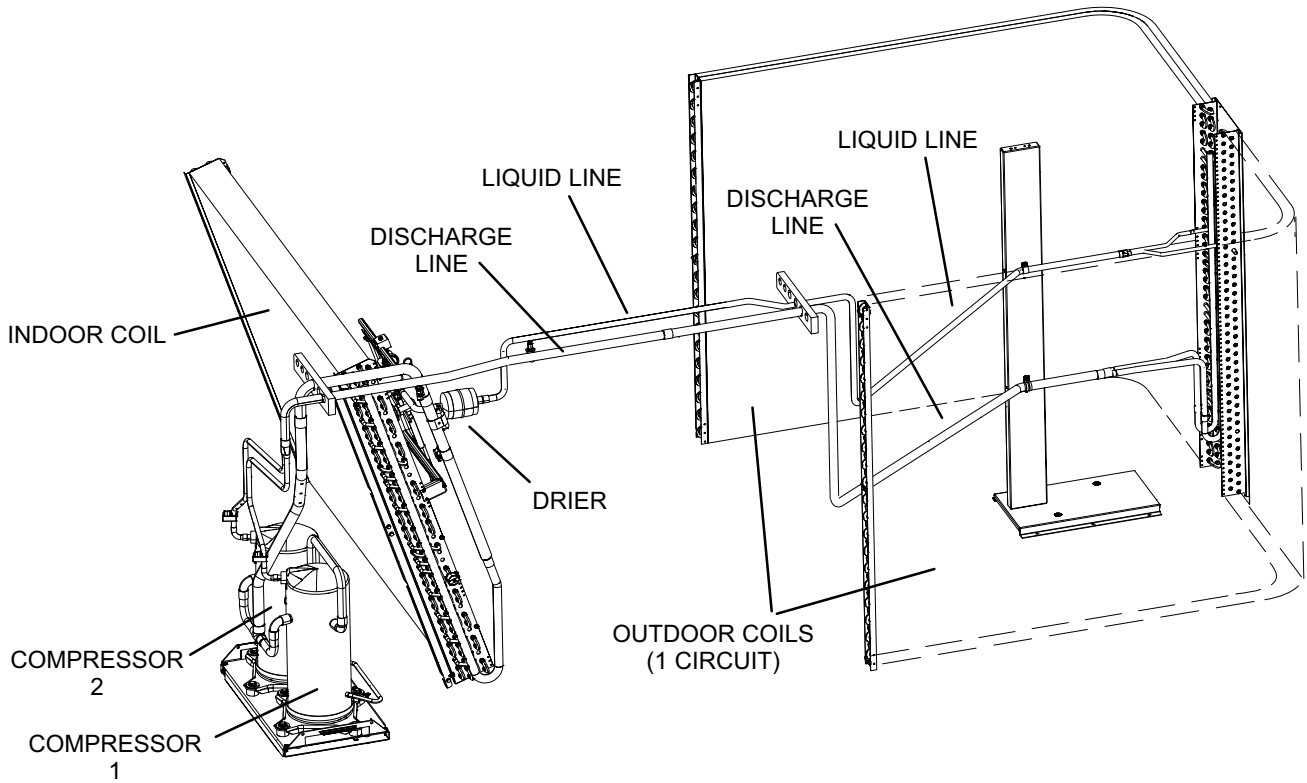
**PLUMBING, COMPRESSOR AND REFRIGERANT CIRCUITS DETAIL  
(OPTIONAL STANDARD EFFICIENCY FIN/TUBE COIL)**



**FIGURE 13**



**PLUMBING, COMPRESSOR AND REFRIGERANT CIRCUITS DETAIL  
(OPTIONAL ULTRA HIGH EFFICIENCY UNITS WITH FIN/TUBE COIL)**



**FIGURE 14**

## B-Cooling Components

Standard and high efficiency units use independent cooling circuits consisting of separate compressors, condenser coils and evaporator coils. See figure 12 or 13. Ultra high efficiency units use a common cooling circuit consisting of two compressors in parallel, two condenser coils in parallel, and one evaporator coil. See figure 14. On standard and high efficiency units, two draw-through type condenser fans are used. On ultra high efficiency units, three draw-through type condenser fans are used. Standard and high efficiency units are equipped with belt-drive blowers which draw air across the evaporator during unit operation. Ultra high efficiency units are equipped with either a belt-drive blower or a drive drive blower which draws air across the evaporator during unit operation.

On standard and high efficiency units, the evaporators are slab type and are stacked. Each evaporator uses a thermostatic expansion valve as the primary expansion device. Ultra high efficiency units are equipped with a single slab style evaporator. The evaporator uses two thermostatic expansions valves. Evaporators are equipped with enhanced fins and rifled tubing.

In all units, each compressor is protected by a crankcase heater, high pressure switch and low pressure switch. Additional protection is provided by low ambient switches and freezestats. Ultra high efficiency units are also equipped with a suction line pressure transducer and compressor sump thermistors (temperature sensors) for added compressor reliability.

Cooling may be supplemented by a factory- or field-installed economizer.

### 1-Compressors B1, B2

Standard and high efficiency units are equipped with two scroll compressors and two independent cooling circuits. Ultra efficiency units are equipped with two scroll compressors and one common cooling circuit. Compressor capacity may vary from stage to stage. In all cases, the capacity of each compressor is added to reach the total capacity of the unit. See "SPECIFICATIONS" and "ELECTRICAL DATA" (table of contents) or compressor nameplate for compressor specifications.

## WARNING

**Electrical shock hazard. Compressor must be grounded. Do not operate without protective cover over terminals. Disconnect power before removing protective cover. Discharge capacitors before servicing unit. Failure to follow these precautions could cause electrical shock resulting in injury or death.**

Each compressor is energized by a corresponding compressor contactor.

*NOTE-Refer to the wiring diagram section for specific unit operation.*

If Interlink compressor replacement is necessary, call 1-800-453-6669.

## IMPORTANT

**Some scroll compressors have an internal vacuum protector that will unload scrolls when suction pressure goes below 20 psig. A hissing sound will be heard when the compressor is running unloaded. Protector will reset when low pressure in system rises above 40 psig. DO NOT REPLACE COMPRESSOR.**

### 2-Crankcase Heaters HR1, HR2

All LGH units use insertion type heaters. Heater HR1 is installed around compressor B1 and heater HR2 is installed around compressor B2. Crankcase heater wattage varies by compressor size.

### 3-High Pressure Switches S4, S7

The high pressure switch is an auto-reset SPST N.C. switch which opens on a pressure rise. All units are equipped with this switch. On fin/tube outdoor coils, the switch is located in the compressor discharge line. On all-aluminum outdoor coils, the switch is located on the liquid line in the blower section. Switches are wired in series with the compressor contactor coil.

On standard and high efficiency units, S4 (first circuit) and S7 (second circuit) are wired in series with the respective compressor contactor coils. On ultra high efficiency units, only S4 is used. S4 is located on the common compressor discharge line and is wired to both compressor contactors via the A55 Unit Controller.

#### *All-Aluminum Coil Units -*

When discharge pressure rises to  $610 \pm 15$  psig ( $4206 \pm 103$  kPa) (indicating a problem in the system) the switch opens and the respective compressor is de-energized (the economizer can continue to operate). When discharge pressure drops to  $475 \pm 15$  psig ( $3275 \pm 103$  kPa) the pressure switch will close.

#### *Fin/Tube Coil Units -*

On standard and high efficiency units, when discharge pressure rises to  $640 \pm 10$  psig ( $4413 \pm 69$  kPa) (indicating a problem in the system) the switch opens and the respective compressor is de-energized (the economizer can continue to operate). When discharge pressure drops to  $475 \pm 20$  psig ( $3275 \pm 138$  kPa) the pressure switch will close.

On ultra high efficiency units, BOTH compressors are de-energized or energized at the pressures listed in the previous paragraph.

The A55 Unit Controller has a three-strike counter before locking out. This means the control allows three high pressure trips per one thermostat demand. The control can be reset by breaking and remaking the thermostat demand or manually resetting the control.

#### 4-Low Ambient Switches S11, S84

The low ambient switch is an auto-reset SPST N.O. pressure switch which allows mechanical cooling operation at low outdoor temperatures. On standard and high efficiency units, the switches are located in each liquid line prior to the indoor coil section. On ultra high efficiency units, S11 (only) is located on the common liquid line prior to the indoor coil section.

On standard and high efficiency units, S11 and S84 are wired to the A55 Unit Controller which cycles outdoor fans via K10 (outdoor fan 1) and K68 (outdoor fan 2). On ultra high efficiency units, S11 is wired to the A55 Unit Controller which cycles outdoor fan 1 (outdoor fans 2 and 3 are de-energized during low ambient operation).

When liquid pressure rises to  $450 \pm 10$  psig ( $3102 \pm 69$  kPa), the switch closes and the condenser fan is energized. When discharge pressure in one refrigerant circuit drops to  $240 \pm 10$  psig ( $1655 \pm 69$  kPa), the switch opens and the condenser fan in that refrigerant circuit is de-energized. This intermittent fan operation results in higher evaporating temperature allowing the system to operate without icing the evaporator coil and losing capacity.

#### 5-Service Valve (optional)

Non-reheat, fin/tube coil condenser units may be equipped with service valves located in the discharge and liquid lines. The service valves are manually operated valves used for service operation.

#### 6-Filter Drier

LGH units have a filter drier located in the liquid line of each refrigerant circuit. See figure 12, 13, or 14. The drier removes contaminants and moisture from the system.

#### 7-Low Pressure Switches S87, S88

The low pressure switch is an auto-reset SPST N.O. switch (held N.C. by refrigerant pressure) which opens on a pressure drop. All units are equipped with this switch. The switch is located in the compressor suction line.

On standard and high efficiency units, S87 (compressor one) and S88 (compressor two) are wired to A55 Unit Controller. On ultra high efficiency units, S87 (only) is located on the common suction line and is wired to A55 Unit Controller.

A55 governs the low pressure switches by shunting the switches during start up until pressure is stabilized. After the shunt period, the control has a three-strike counter, during first thermostat demand, before the compressor is locked out. The control is reset by breaking and remaking the thermostat demand or manually resetting the control.

When suction pressure drops to  $40 \pm 5$  psig ( $276 \pm 34$  kPa), (indicating low pressure), the switch opens and the compressor(s) is(are) de-energized. The switch automatically resets when pressure in the suction line rises to  $90 \pm 5$  psig ( $620 \pm 34$  kPa) due to many causes such as refrigerant being added.

#### 8-Condenser Fans B4, B5, B21

See SPECIFICATIONS tables at the front of this manual for specifications of condenser fans used in all units. All condenser fans have single-phase motors. The fan assembly may be removed for servicing and cleaning.

#### Ultra High Efficiency Units Only

Ultra high efficiency units are equipped with electronically commutated condenser fan motors (ECM). The ECM motors are wired directly to 230VAC power but do not operate until a pulse width modulated (PWM) control signal is sent from the A55 Unit Controller. The PWM signal determines the condenser fan speed. All three fans will operate in low speed with a Y1 demand; all three fans will operate in high speed with a Y2 demand.

Both low and high voltage plugs are located at the top of the blower compartment in the indoor section of the unit. Condenser fan motors B4, B5 and B21 high voltage plugs are J86, J87 and J88 respectively. Low voltage plugs are J336, J337 and J338 respectively. Refer to wiring markings to identify plugs. Use figure 15 to identify fan motors.

If an ECM fan is not operating:

- 1- Check to make sure high voltage is present before checking low voltage.
- 2- Read the voltage at the appropriate high voltage fan motor plug (J86, J87, or J88) using the VAC meter setting.
- 3- If high voltage is present, check the low voltage plug (J336, J337, or J338) for a signal from the Unit Controller. Use either the duty cycle (%) or a VDC meter setting.

*Note - The VDC reading may fluctuate and is normal for a PWM signal.*

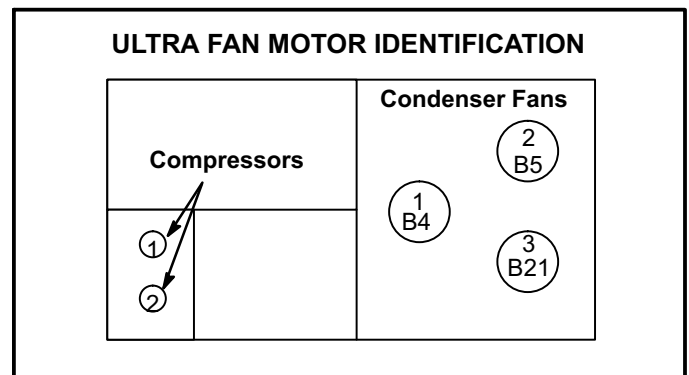


FIGURE 15

## 9-Freezestats S49 and S50

Standard and high efficiency units are equipped with a low temperature switch (freezestat) located on the return bend of each evaporator coil. S49 (first circuit) and S50 (second circuit) are located on the corresponding evaporator coils. Ultra high efficiency units are equipped with S49 only which is located on the return bend of the common evaporator coil.

Each freezestat is wired to the A55 Unit Controller. Each freezestat is a SPST N.C. auto-reset switch which opens at  $29^{\circ}\text{F} \pm 3^{\circ}\text{F}$  ( $-1.7^{\circ}\text{C} \pm 1.7^{\circ}\text{C}$ ) on a temperature drop and closes at  $58^{\circ}\text{F} \pm 4^{\circ}\text{F}$  ( $14.4^{\circ}\text{C} \pm 2.2^{\circ}\text{C}$ ) on a temperature rise. To prevent coil icing, freezestats open during compressor operation to temporarily disable the respective compressor until the coil warms sufficiently to melt any accumulated frost.

If the freezestats are tripping frequently due to coil icing, check the unit charge, airflow and filters before allowing unit back in operation. Make sure to eliminate conditions which might promote evaporator ice buildup.

## 10-Temperature Sensors RT37 and RT38

Ultra high efficiency units are equipped with a temperature sensor (thermistor) located on the back of each compressor underneath the crankcase heater. The A55 Unit Controller uses input from RT37 (compressor 1), RT38 (compressor 2) and A185 pressure transducer to calculate sump superheat for each compressor. The Unit Controller uses this information to optimize system reliability.

Verify the sensor value using the menu path:

MAIN MENU > DATA > IN/OUTPUTS > SENSORS > LOCAL

Sensors should read within +/- 5 degrees of actual compressor sump temperature. Make sure the sensor is making sufficient contact with the compressor shell.

## 11-Pressure Transducer A185

Ultra high efficiency units are equipped with a pressure transducer located on the common suction line. The Unit Controller uses the input from the transducer, RT37 and RT38 to calculate sump superheat for each compressor. The Unit Controller uses this information to optimize system reliability.

Verify the sensor value using the menu path:

MAIN MENU > DATA > IN/OUTPUTS > SENSORS > LOCAL

A185 should read within +/- 10 psi of actual suction pressure.

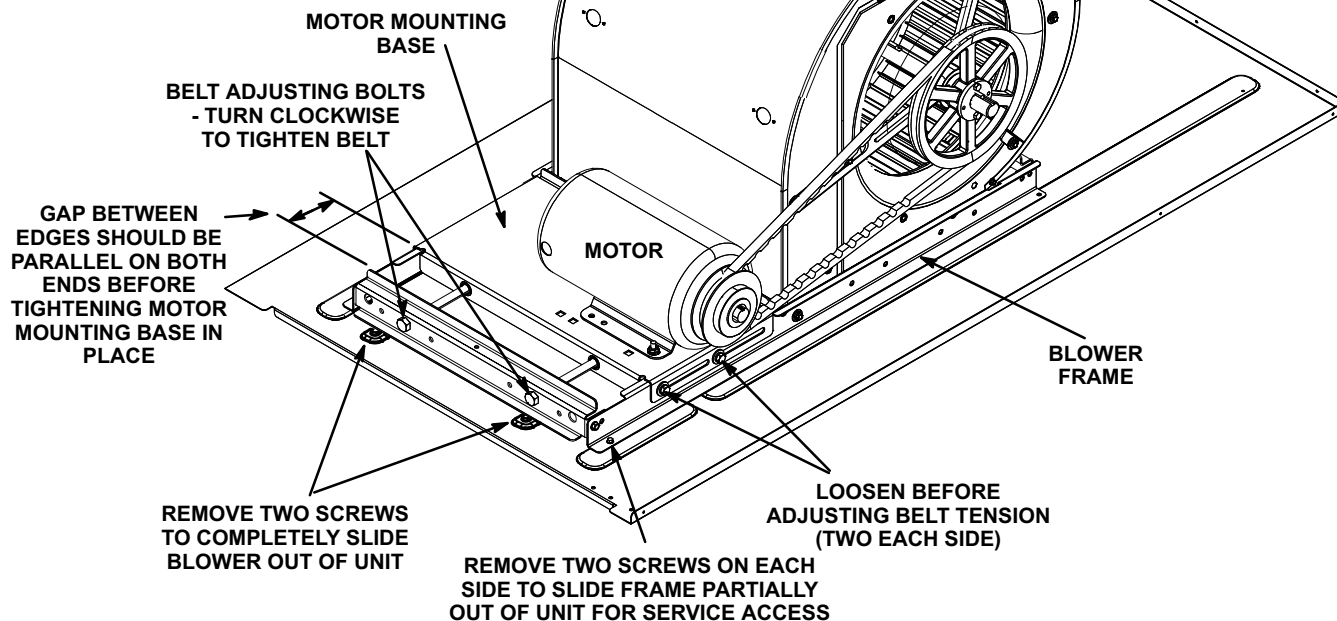
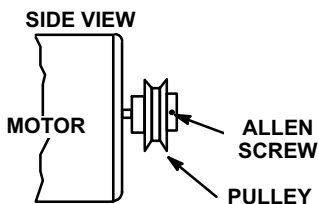
**TO INCREASE BELT TENSION**

**STANDARD BLOWER ASSEMBLY**

- 1- Loosen four bolts securing motor mounting base to frame.
- 2- Turn adjusting bolt to the right, or clockwise, to move the motor away from the blower housing.

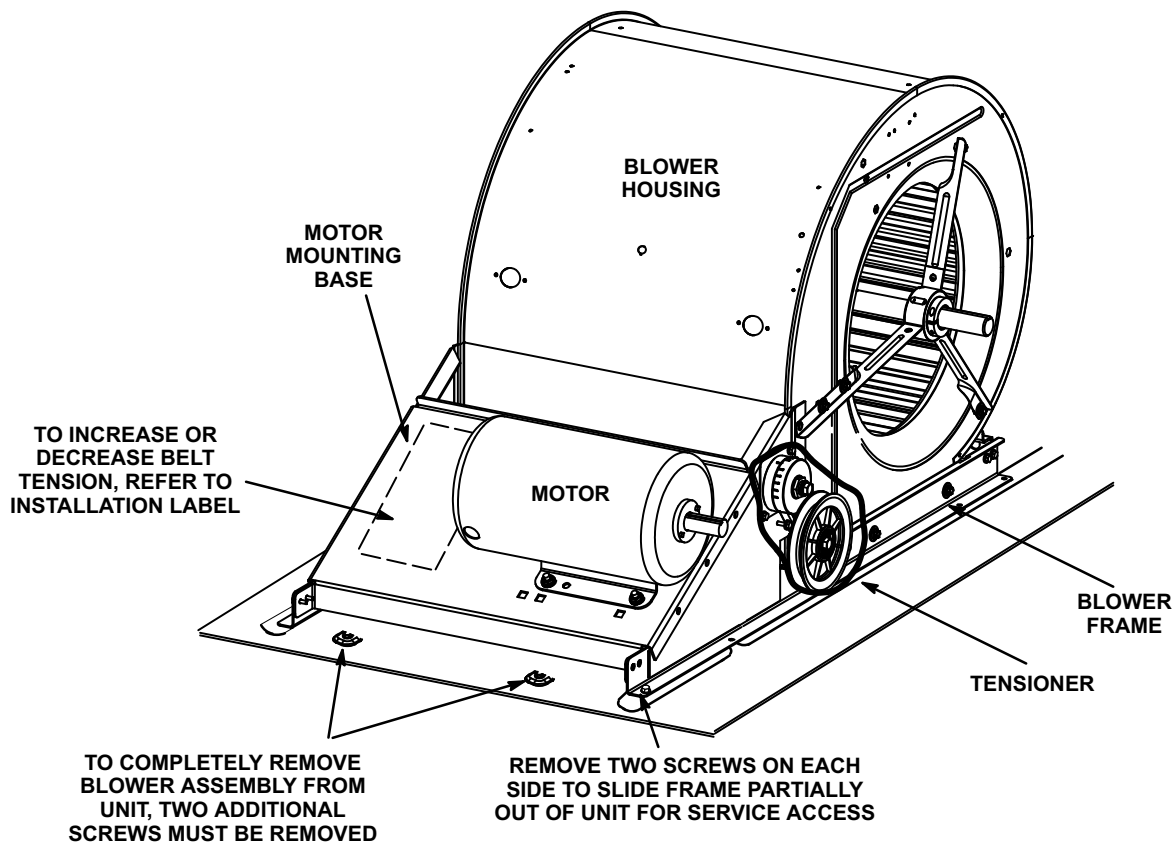
*IMPORTANT - Gap between end of frame and motor mounting base should be equal at both ends, i.e. parallel along gap.*

- 3- Tighten four bolts securing motor mounting base to frame.
- 4- Relieve tension on two adjusting bolts.



**FIGURE 16**

**TENSIONER BLOWER ASSEMBLY (VIEW SHOWN WITHOUT BELT)**



**FIGURE 17**

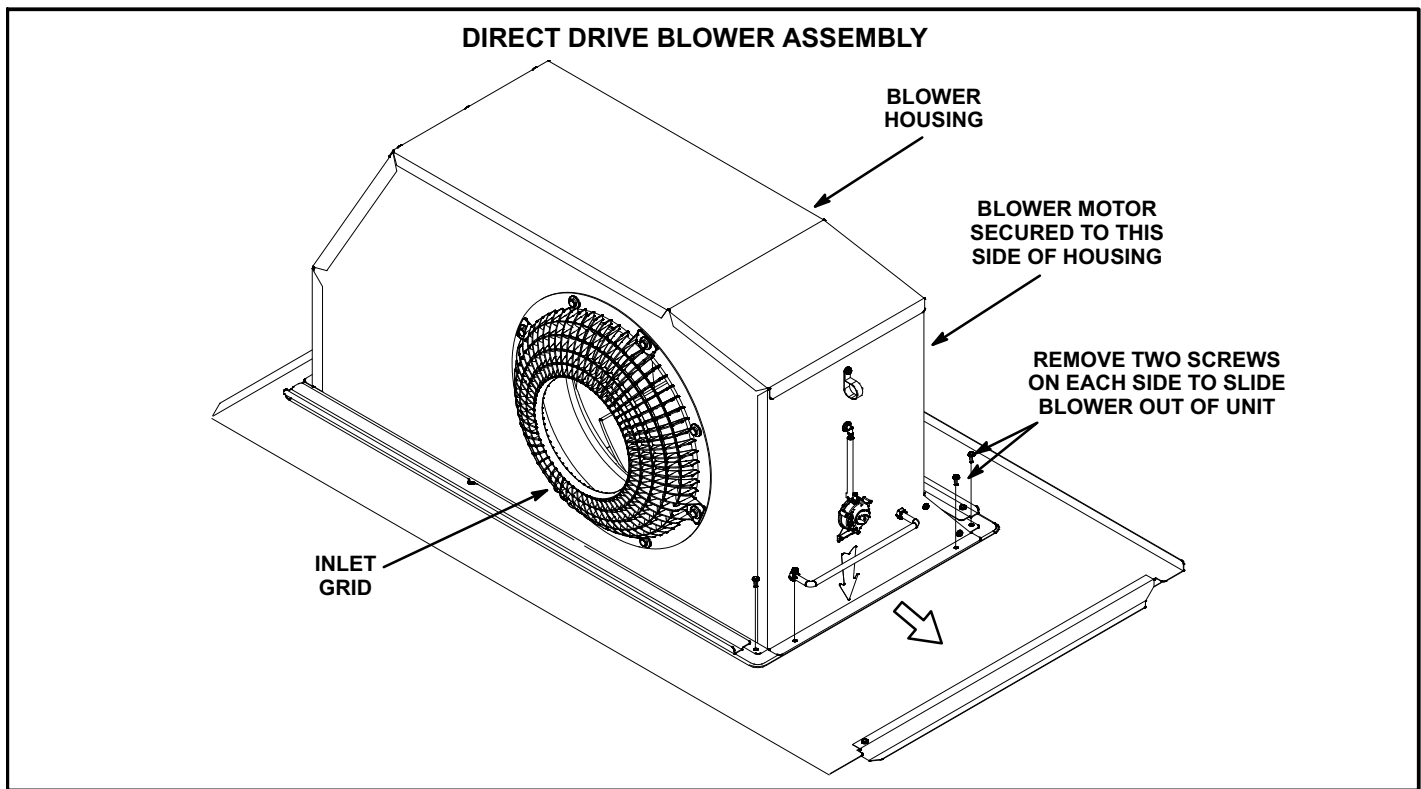


FIGURE 18

## C-Blower Compartment

The blower compartment is located between the evaporator coil and the condenser coil section. The blower assembly is secured to a sliding frame which allows the blower motor assembly to be pulled out of the unit. See figure 16, 17, or 18.

### *Belt Drive Blowers*

- 1- Loosen the reusable wire tie which secures the blower wiring to the blower motor mounting plate.
- 2- Remove and retain screws on either side of sliding frame. Pull frame toward outside of unit.
- 3- Slide frame back into original position when finished servicing. Reattach the blower wiring in the previous location on the blower motor base using the wire tie.
- 4- Replace retained screws on either side of the sliding frame.

### *Direct Drive Blowers*

- 1- Loosen the reusable wire tie which secures the controls and high voltage blower wiring to the blower housing.
- 2- Remove and retain screws in front and on either side of blower housing. Pull frame toward outside of unit.
- 3- Slide frame back into original position when finished servicing. Reattach the blower wiring in the previous location on the blower housing using the wire tie.
- 4- Replace retained screws in front and on either side of the blower housing.

## 1-Blower Wheels

Belt drive blowers are equipped with one 15 in. x 15 in. (381 mm x 381 mm) blower wheel. Ultra high efficiency units may be equipped with an optional direct drive blower assembly with a backward inclined blower wheel.

## 2-Indoor Blower Motor B3

Belt driven blowers use three-phase single-speed blower motors. CFM adjustments are made by adjusting the motor pulley (sheave). Ultra high efficiency units may be equipped with an optional direct drive blower assembly with a three-phase, variable speed, direct drive blower motor.

All motor specifications are listed in the SPECIFICATIONS (table of contents) in the front of this manual. Units may be equipped with motors manufactured by various manufacturers, therefore electrical FLA and LRA specifications will vary. See unit rating plate for information specific to your unit.

## OPERATION / ADJUSTMENT

**VFD / Direct Drive Units** - The blower rotation will always be correct on VFD units. Checking blower rotation is not a valid method of determining voltage phasing for incoming power. To check for proper voltage phasing, measure compressor suction and discharge pressures. Make sure suction pressure decreases and discharge pressure increases on start-up.

**VFD / Direct Drive Units and Units Equipped With Optional Factory-Installed Voltage or Phase Detection** - The Unit Controller checks the incoming power during start-up (A55 P299-1 and P269-2). If the voltage, phase, or frequency is incorrect, the Unit Controller will display an alarm and the unit will not start. If line voltage is corrected,

the Unit Controller will energize the unit after five (default) minutes. While line voltage is continually checked by the Unit Controller, the voltage phasing is not. If one or more phases is interrupted, power to one or more transformers is interrupted and the unit is shut down by either the Unit Controller or the corresponding transformer.

*Note - Optional phase/voltage detection is set at the factory and is enabled by the Unit Controller internal logic. If an after market device is installed, refer to the device manufacturer's literature.*

On units equipped with Unit Controller firmware version 7.06 and earlier:

Voltage, phase and frequency are checked on start-up

### Blower Operation

*NOTE-The following is a generalized procedure and does not apply to all thermostat control systems.*

- 1- Blower operation is dependent on the thermostat control system option that has been installed in the units. Refer to operation sequence of the control system installed for detailed descriptions of blower operation.
- 2- Generally, blower operation is set at the thermostat fan switch. With the fan switch in "ON" position and the **OCP** input is "**ON**", the blower operates continuously. With the fan switch in "AUTO" position, the blower cycles with demand.
- 3- In most cases, the blower and entire unit will be off when the system switch is in the "OFF" position. The only exception is immediately after a heating demand when the blower control keeps the blower on until all heat is extracted from the heat exchanger.

### Determining Unit Air Volume

*IMPORTANT - VFD units are factory-set to run the blower at full speed when there is a blower (G) demand without a heating or cooling demand. Refer to the field-provided, design specified CFM for all modes of operation. Use the following procedure to adjust motor pulley to deliver the highest CFM called for in the design spec. See Supply Air Inverter Start-Up section to set blower CFM for all modes once the motor pulley is set.*

*IMPORTANT - Direct drive variable blower unit CFM is determined by the Unit Controller. Refer to the Direct Drive Variable Speed Start-Up section.*

- 1- The following measurements must be made with a dry indoor coil. Run blower without a cooling demand. Measure the indoor blower shaft RPM. Air filters must be in place when measurements are taken.
- 2- With all access panels in place, measure static pressure external to unit (from supply to return). Blower performance data is based on static pressure readings taken in locations shown in figure 19.

*Note - Static pressure readings can vary if not taken where shown.*

- 3- Refer to blower tables in BLOWER DATA (table of contents) in the front of this manual. Use static pressure and RPM readings to determine unit air volume. Apply accessory air resistance tables when installing units with any of the optional accessories listed.

#### 4- Standard Blowers -

The blower RPM can be adjusted at the motor pulley. Loosen Allen screw and turn adjustable pulley clockwise to increase CFM. Turn counterclockwise to decrease CFM. See figure 16. Do not exceed minimum and maximum number of pulley turns as shown in table 1.

#### Tensioner Blowers -

Refer to label on motor base. See figure 17.

**TABLE 1  
MINIMUM AND MAXIMUM PULLEY ADJUSTMENT**

Belt	Minimum Turns Open	Maximum Turns Open
A Section	0	5
B Section	1*	6

\*No minimum turns open when B belt is used on pulleys 6" O.D. or larger.

## ! IMPORTANT

### Three Phase Scroll Compressor Voltage Phasing

Three phase scroll compressors must be phased sequentially to ensure correct compressor and blower\* rotation and operation. Compressor and blower are wired in phase at the factory. Power wires are color-coded as follows: line 1-red, line 2-yellow, line 3-blue.

1-Observe suction and discharge pressures and blower\* rotation on unit start-up.

2-Suction pressure must drop, discharge pressure must rise and blower\* rotation must match rotation marking.

If pressure differential is not observed or blower\* rotation is not correct:

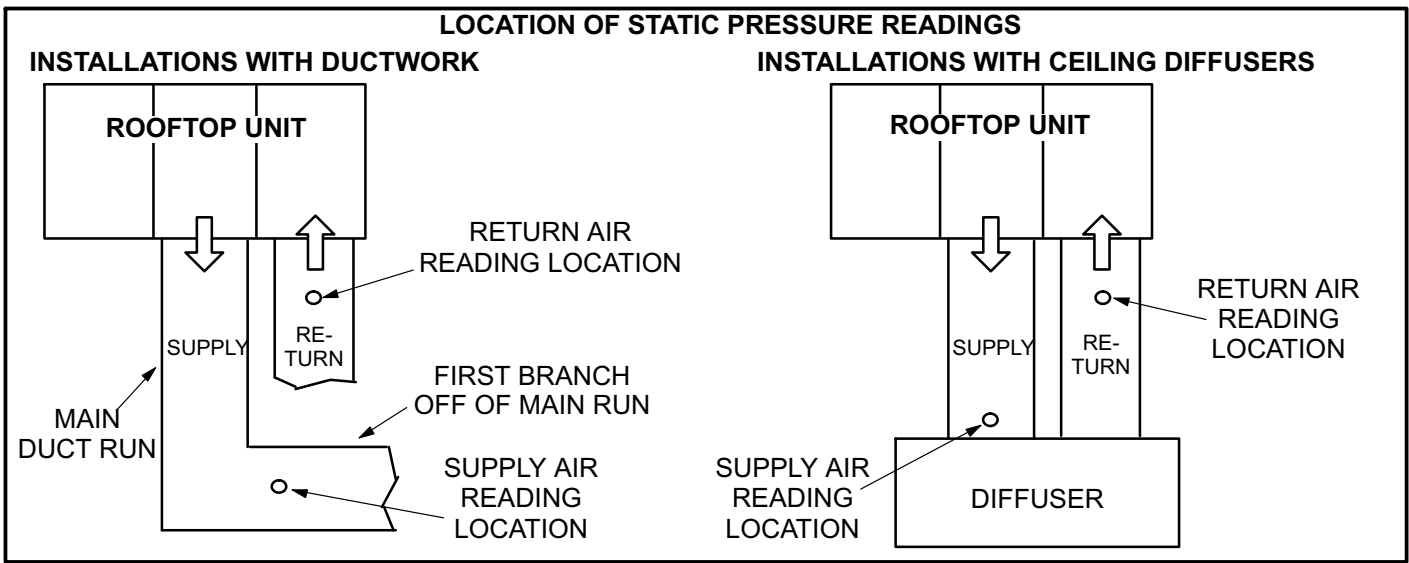
3-Disconnect all remote electrical power supplies.

4-Reverse any two field-installed wires connected to the line side of S48 disconnect or TB13 terminal strip. Do not reverse wires at blower contactor.

5-Make sure the connections are tight.

Discharge and suction pressures should operate at their normal start-up ranges.

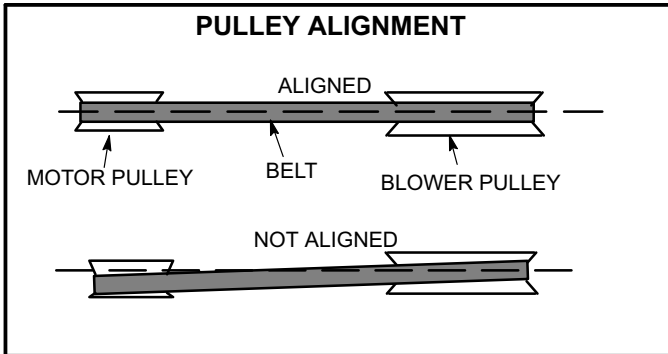
\*Supply air VFD motors should rotate in the correct direction; verify scroll compressor rotation separately. Contact technical support if the VFD blower is rotating incorrectly.



**FIGURE 19**

**Blower Belt Adjustment**

Maximum life and wear can be obtained from belts only if proper pulley alignment and belt tension are maintained. Tension new belts after a 24-48 hour period of operation. This will allow belt to stretch and seat in the pulley grooves. Make sure blower and motor pulleys are aligned as shown in figure 20.



**FIGURE 20**

1- Loosen four bolts securing motor base to mounting frame. See figure 16 or 17.

2- *To increase belt tension* - Turn both adjusting bolts to the right, or clockwise, to move the motor outward and tighten the belt. This increases the distance between the blower motor and the blower housing.

*To loosen belt tension* - Turn the adjusting bolt to the left, or counterclockwise to loosen belt tension.

**IMPORTANT** - Align edges of blower motor base and mounting frame base parallel before tightening four bolts on the side of base. Motor shaft and blower shaft must be parallel.

3- Tighten bolts on side of base.



### Check Belt Tension

Overtensioning belts shortens belt and bearing life. Check belt tension as follows:

- 1- Measure span length X. See figure 21.
- 2- Apply perpendicular force to center of span (X) with enough pressure to deflect belt 1/64" for every inch of span length or 1.5mm per 100mm of span length.  
Example: Deflection distance of a 40" span would be 40/64" or 5/8".  
Example: Deflection distance of a 400mm span would be 6mm.
- 3- Measure belt deflection force. For a new 2 and 3hp belt, the deflection force should be 5.0-7.0 lbs. (35-48kPa). For a new 5hp belt, the deflection force should be 7-10lbs. (48-69kPa).

A force below these values indicates an undertensioned belt. A force above these values indicates an overtensioned belt.

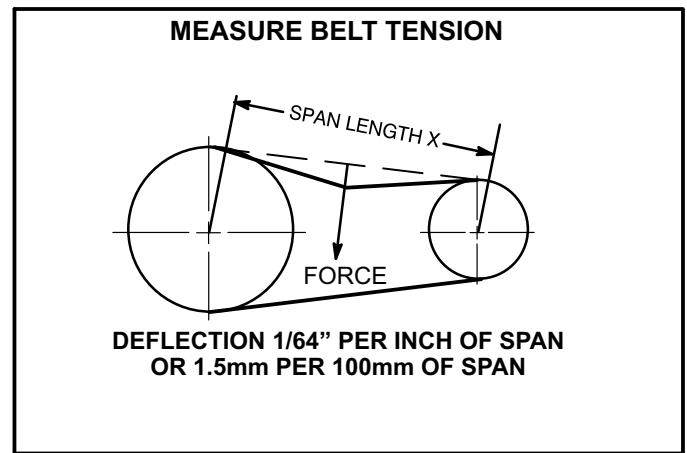


FIGURE 21

### F-Field-Furnished Blower Drives

For field-furnished blower drives, use the the blower tables in the BLOWER TABLES section of this manual to determine BHP, RPM and drive kit required. Reference table 2 for drive component manufacturer's numbers.

**TABLE 2  
MANUFACTURER'S NUMBERS**

Drive No.	DRIVE COMPONENTS					
	Motor Pulley		Blower Pulley		Belt	
	Supplier No.	OEM Part No.	Supplier No.	OEM Part No.	Supplier No.	OEM Part No.
A01	1VP34x7/8	31K6901	AK54 x 1	100244-19	A40	100245-17
A02	1VP34x7/8	31K6901	AK49 x 1	100244-18	A39	100245-16
A03	1VP34x7/8	31K6901	AK44 x 1	100244-16	A39	100245-16
A05	1VP34x7/8	31K6901	AK41 x 1	100244-15	A39	100245-16
A06	1VP44x7/8	P-8-1488	AK51 x 1	18L2201	A41	100245-18
A07	1VP50x7/8	P-8-2187	AK54 x 1	100244-19	AX43	73K8201
AA01	1VP34x7/8	31K6901	AK69 x 1	37L4701	AX51	13H0101
AA02	1VP40x7/8	79J0301	BK80H <sup>1</sup>	100788-03	A53	P-8-4951
AA03	1VP40x7/8	79J0301	AK59 x 1	31K6801	A50	100245-29
AA04	1VP44x7/8	P-8-1488	AK59 x 1	31K6801	AX51	13H0101
A01T <sup>2</sup>	1VP34x7/8	31K6901	AK54 x 1	100244-19	A41	100245-18
A02T <sup>2</sup>	1VP34x7/8	31K6901	AK49 x 1	100244-18	A40	100245-17
A03T <sup>2</sup>	1VP34x7/8	31K6901	AK44 x 1	100244-16	A40	100245-17
A05T <sup>2</sup>	1VP34x7/8	31K6901	AK41 x 1	100244-15	A41	100245-18
A06T <sup>2</sup>	1VP44x7/8	P-8-1488	AK51 x 1	18L2201	A41	100245-18
A07T <sup>2</sup>	1VP50x7/8	P-8-2187	AK54 x 1	100244-19	AX43	73K8201
AA01T <sup>2</sup>	1VP34x7/8	31K6901	AK69 x 1	37L4701	A50	100245-29
AA02T <sup>2</sup>	1VP40x7/8	79J0301	BK80H*	100788-03	A52	100245-30
AA03T <sup>2</sup>	1VP40x7/8	79J0301	AK59 x 1	31K6801	A49	100245-32
AA04T <sup>2</sup>	1VP44x7/8	P-8-1488	AK59 x 1	31K6801	A50	100245-29

NOTES: <sup>1</sup> Requires split taper bushing, Browning no. H1; OEM no. 100073-04 <sup>2</sup> Includes tension assembly, Fenner no. FS0590; OEM no. 101994-02


## D-GAS HEAT COMPONENTS

See unit nameplate for all -1 model unit Btuh capacities. See SPECIFICATIONS tables or unit nameplate for Btuh capacities in -2 model units. Flexible pipe will feed supply gas to both sections. If for service the flexible connection must be broken, hand tighten then turn additional 1/4" with a wrench for metal to metal seal (do not overtighten).

*NOTE - Do not use thread sealing compound on flex pipe flare connections.*

### 1-Control Box Components A3, A55, T3, K13

⚠ WARNING



**Shock hazard. Spark related components contain high voltage which can cause personal injury or death. Disconnect power before servicing. Control is not field repairable. Unsafe operation will result. If control is inoperable, simply replace the entire control.**

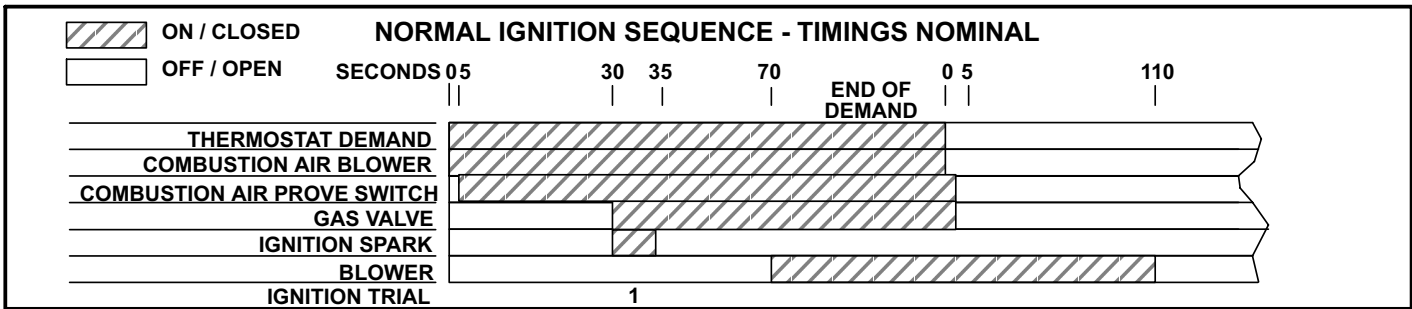
### Burner Ignition Control A3

The ignition control is located in the heat section and is manufactured by Johnson Controls. See table 3 for LED codes.

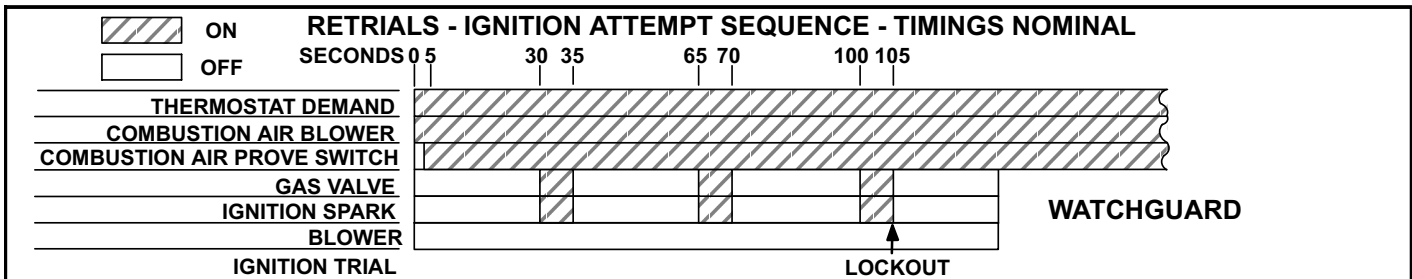
**TABLE 3**

Manufacturer	LED Code	Description
Johnson	Steady "ON"	Normal
	.5 sec on / 2.5 sec off	Reset Mode
	"OFF"	No Power or Detected Failure

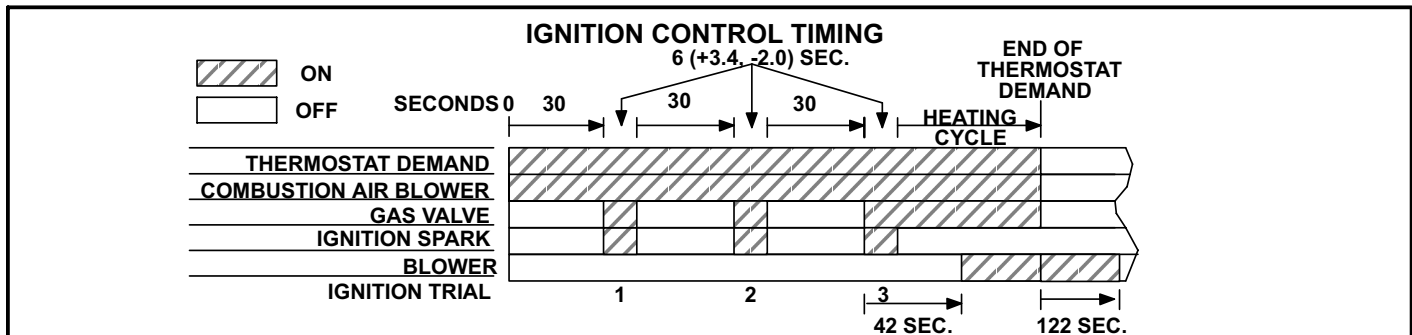
The ignition control provides three main functions: gas valve control, ignition and flame sensing. The unit will usually ignite on the first attempt; however, the ignition attempt sequence provides three trials for ignition before locking out. The lockout time for the Johnson control is 5 minutes. After lockout, the ignition control automatically resets and provides three more attempts at ignition. Manual reset after lockout requires breaking and remaking power to the ignition control. See figure 22 for a normal ignition sequence and figure 23 for the ignition attempt sequence with retrials (nominal timings given for simplicity). Specific timings for the ignition controls are shown in figure 24.



**FIGURE 22**



**FIGURE 23**



**FIGURE 24**

Flame rectification sensing is used on all LGH units. Loss of flame during a heating cycle is indicated by an absence of flame signal (0 microamps). If this happens, the control will immediately restart the ignition sequence and then lock out if ignition is not gained after the third trial. See System Service Checks section for flame current measurement.

The control shuts off gas flow immediately in the event of a power failure. Upon restoration of gas and power, the control will restart the ignition sequence and continue until flame is established or system locks out.

On a heating demand, the ignition control is energized by the A55 Unit Controller. The ignition control then allows 30 to 40 seconds for the combustion air blower to vent exhaust gases from the burners. When the combustion air blower is purging the exhaust gases, the combustion air prove switch is closing proving that the combustion air blower is operating before allowing the ignition control to energize. When the combustion air prove switch is closed and the delay is over, the ignition control activates gas valve, the spark electrode and the flame sensing electrode. Sparking stops immediately after flame is sensed. The combustion air blower continues to operate throughout the heating demand. If the flame fails or if the burners do not ignite, the ignition control will attempt to ignite the burners up to two more times. If ignition cannot be obtained after the third attempt, the control will lock out. The ignition control is not adjustable.

## 2-Heat Exchanger (Figures 25 and 26)

The LGH units use aluminized steel inshot burners with matching tubular aluminized (stainless steel is an option) steel heat exchangers and two-stage redundant gas valves. Units are equipped with one eleven tube/burner for high heat and one six tube/burner for standard heat. Burners use a burner venturi to mix gas and air for proper combustion. Combustion takes place at each tube entrance. As hot combustion gases are drawn upward through each tube by the combustion air blower, exhaust gases are drawn out the top and fresh air/gas mixture is drawn in at the bottom. Heat is transferred to the air stream from all surfaces of the heat exchanger tubes. The supply air blowers, controlled by the A55 Unit Controller, force air across all surfaces of the tubes to extract the heat of combustion. The shape of the tubes ensures maximum heat exchange.

The gas valves accomplish staging by allowing more or less gas to the burners as called for by heating demand.

## 3-Gas Heat Exchanger Inserts - Direct Drive Only

Inserts are installed on standard (130,000Btuh) and high (240,000Btuh) heat exchangers. Medium heat exchangers do not require inserts. See figure 27. Inserts are used to maintain even temperature distribution through the heat exchanger. Temperature distribution can vary depending on supply air flow, number of heat exchanger tubes and the blower deck opening.

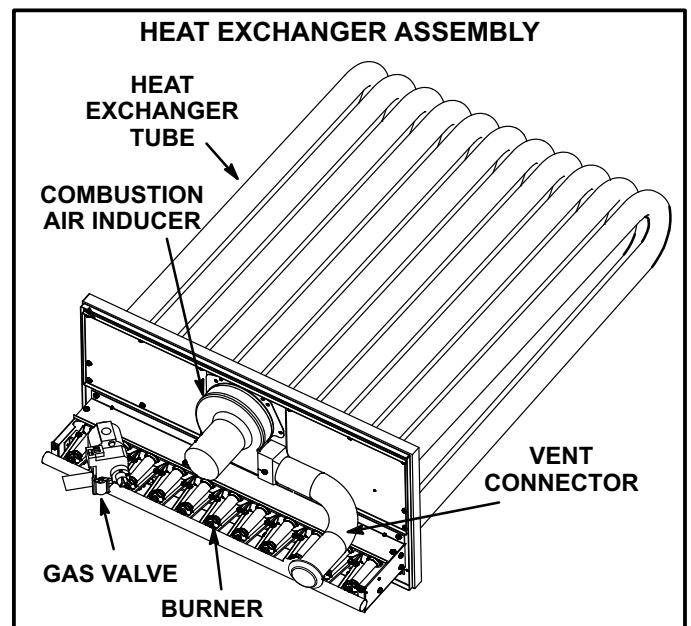


FIGURE 25

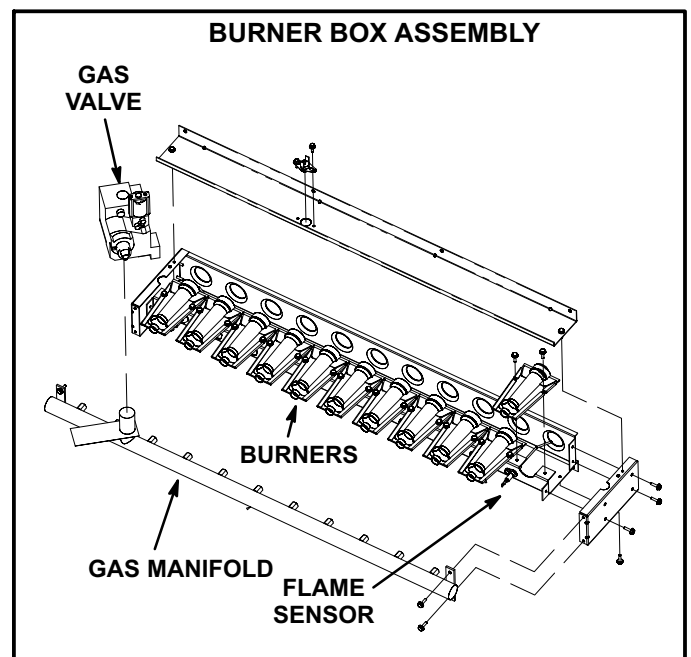


FIGURE 26

## 4-Burner Assembly (Figure 28)

The burners are controlled by the spark electrode, flame sensing electrode, gas valve and combustion air blower. The spark electrode, flame sensing electrode and gas valve are directly controlled by ignition control. Ignition control and combustion air blower is controlled by A55 Unit Controller.

### **Burners**

All units use inshot burners (see figure 28). Burners are factory set and do not require adjustment. A peep hole with cover is furnished in the heating access panel for flame viewing. Always operate the unit with the access panel in place.

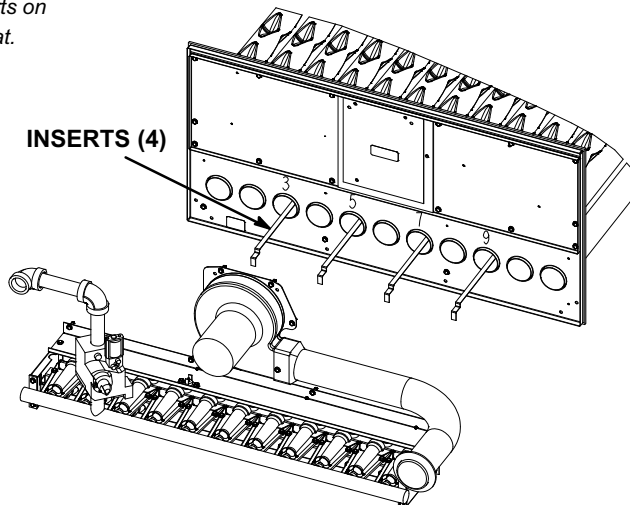
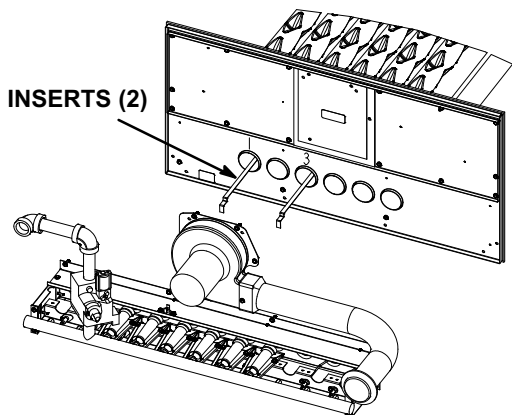
Burners can be removed individually for service. Burner maintenance and service is detailed in the SERVICE CHECKS section of this manual.

**INSERT LOCATION - DIRECT DRIVE ONLY**

**STANDARD HEAT (130,000BTUH)**

**HIGH HEAT (180,000BTUH)**

*Note - No inserts on medium heat.*

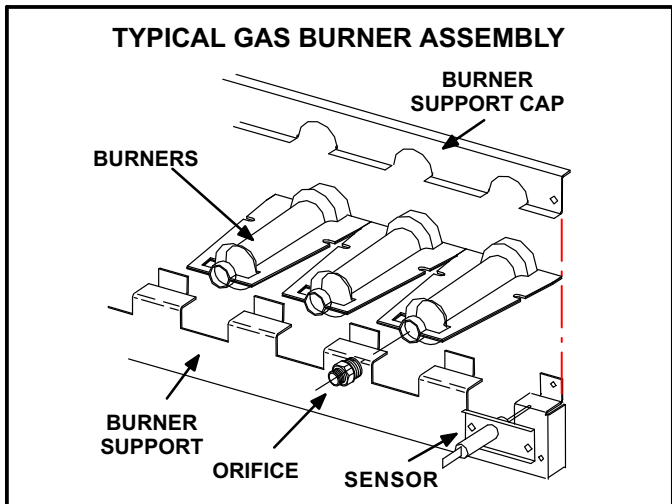


**FIGURE 27**

**5-Primary High Temperature Limits S10**

S10 is the primary high temperature limit and is located on the blower deck to the right of the blower housing.

Primary limit S10 is wired to the A55 Unit Controller which energizes burner 1 control (A3). Its N.C. contacts open to de-energize the ignition control when excessive temperature is reached in the blower compartment. At the same time, the N.O. contacts of S10 close energizing the blower relay coil K3 through A55. If the limit trips the blower will be energized. Limit settings are factory set and cannot be adjusted. If limit must be replaced, the same type and set point must be used.



**FIGURE 28**

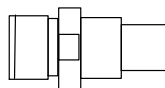
**Orifice**

Each burner uses an orifice (two types figure 29) which is precisely matched to the burner input. **Install only the orifices with the same threads.** The orifice is threaded into the burner manifold. The burner is supported by the orifice and will easily slide off for service.

*NOTE-Do not use thread sealing compound on the orifices. Using thread sealing compound may plug the orifices.*

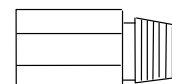
Each orifice and burner are sized specifically to the unit. Refer to [ProductZone@www.davenet.com](mailto:ProductZone@www.davenet.com) for correct sizing information.

**ORIFICE WITH STRAIGHT THREADS**



Tighten to 14 ± .5 ft/lbs  
Do not over-tighten.

**ORIFICE WITH PIPE THREADS**



Tighten to 6.25 ± .5 ft.lbs.  
Do not over-tighten.

**FIGURE 29**

## 6-Flame Roll-out Limit S47

Flame roll-out limit S47 is a SPST N.C. high temperature limit located as shown in figure 30. S47 is wired to the A55 Unit Controller. When S47 senses flame roll-out (indicating a blockage in the combustion air passages), the flame roll-out limit trips and the ignition control immediately closes the gas valve.

Limit S47 in standard heat units is factory preset to open at  $250^{\circ}\text{F} \pm 12^{\circ}\text{F}$  ( $121.1^{\circ}\text{C} \pm 6.7^{\circ}\text{C}$ ) on a temperature rise. All flame roll-out limits are manual reset.

## 7-Combustion Air Prove Switch S18

S18 is a SPST N.O. switch which monitors combustion air inducer operation. See figure 30 for location. Switch S18 is wired to the A55 Unit Controller.

The switch closes on a *negative* pressure fall. This negative pressure fall and switch actuation allows the ignition sequence to continue (proves, by closing, that the combustion air inducer is operating before allowing the gas valve to open.) The combustion air prove switch is factory set and not adjustable. The switch will automatically open on a pressure rise (less negative pressure). S18 closes at  $0.25 \pm 5$  in.w.c. ( $62.3 \pm 12.4$  Pa) and opens at  $0.10 \pm 5$  in.w.c. ( $24.8 \pm 12.4$  Pa)

## 8-Combustion Air Inducer B6

The combustion air inducer provides fresh air to the burner while clearing the combustion chamber of exhaust gases. See figure 30 for the inducer location. The inducer is energized by the A55 Unit Controller via K13 relay.

The inducer uses a 208/230V single-phase PSC motor and a

4.81in. x 1.25in. (122mm x 32mm) blower wheel. The motor operates at 3200RPM and is equipped with auto-reset overload protection. Blower is supplied by various manufacturers. Ratings may vary by manufacturer. Specific blower electrical ratings can be found on the unit rating plate.

All combustion air blower motors are sealed and cannot be oiled. The blower cannot be adjusted but can be disassembled for cleaning.

## 9-Combustion Air Motor Capacitor C3

Combustion air inducer B6 requires a run capacitor rated at 3 MFD and 370VAC.

## 10-Gas Valves GV1

Gas valve GV1 is a two-stage redundant valve. Units are equipped with valves manufactured by White-Rodgers or Honeywell. On both valves first stage (low fire) is quick opening (on and off in less than 3 seconds). On the White-Rodgers valve second stage is slow opening (on to high fire pressure in 40 seconds and off to low fire pressure in 30 seconds). On the Honeywell second stage is quick opening. On a call for first stage heat (low fire), the valve is energized by the ignition control simultaneously with the spark electrode. On a call for second stage heat (high fire), the second stage operator is energized directly from A55. The White-Rodgers valve is adjustable for high fire only. Low fire is not adjustable. The Honeywell valve is adjustable for both low fire and high fire. A manual shut-off knob is provided on the valve for shut-off. Manual shut-off knob immediately closes both stages without delay. Figure 31 shows gas valve components. Table 4 shows factory gas valve regulation for LGH units.

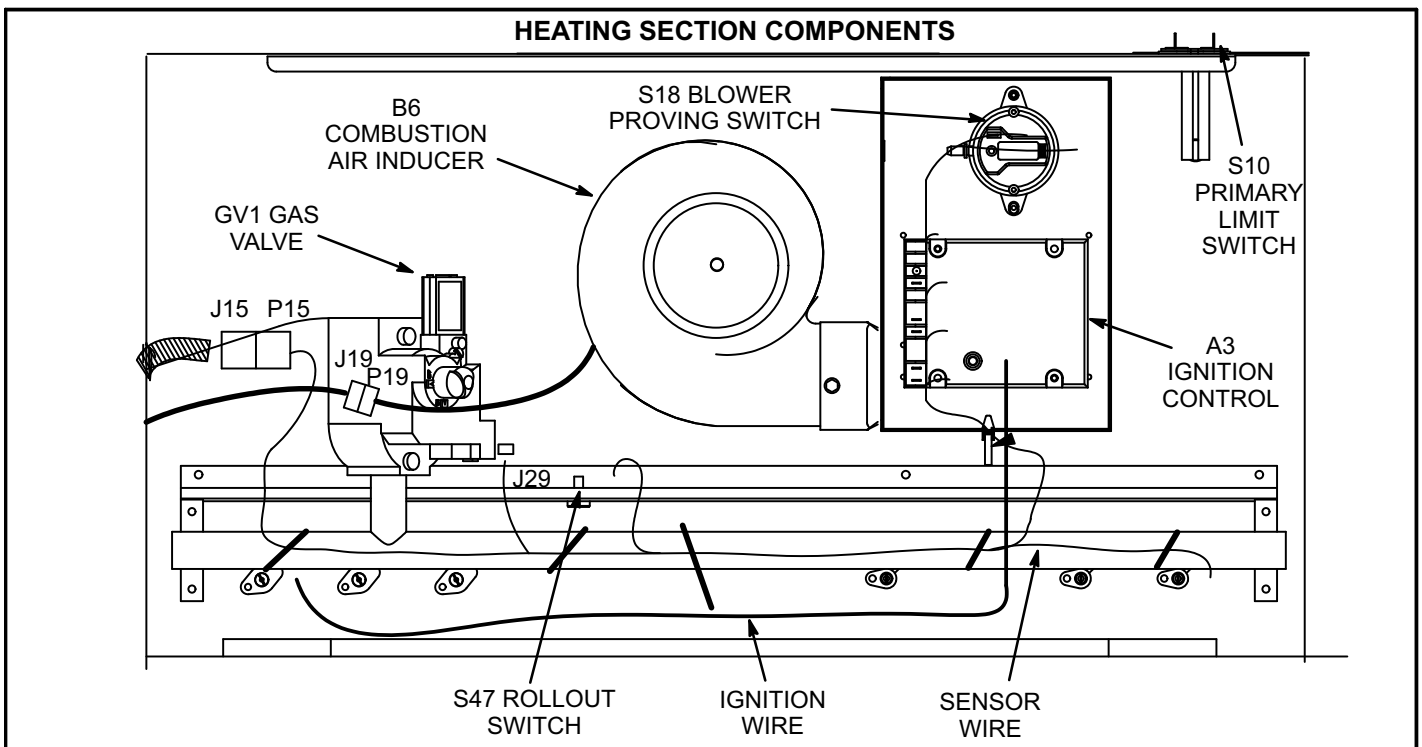
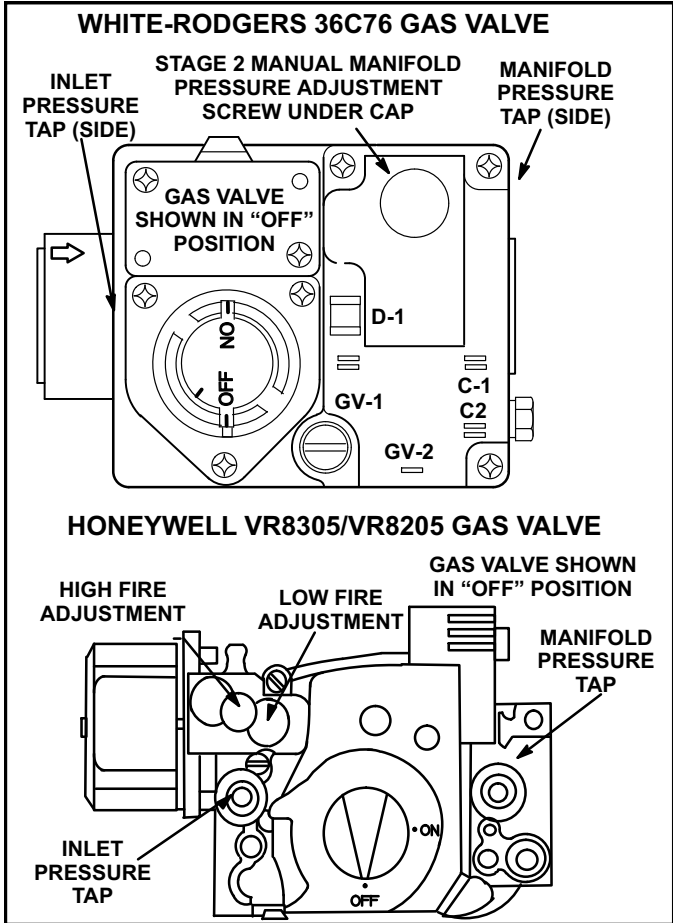


FIGURE 30

**TABLE 4**

<b>GAS VALVE REGULATION FOR LGH UNITS</b>				
<b>Maximum Inlet Pressure</b>	<b>Operating Pressure (outlet) Factory Setting</b>			
	<b>Natural</b>		<b>L.P</b>	
	<b>Low</b>	<b>High</b>	<b>Low</b>	<b>High</b>
13.0"W.C. 3232Pa	1.6±0.2"W.C. 398±50Pa	3.7±0.3"W.C. 920±75Pa	5.5±0.3"W.C. 1368±75Pa	10.5±0.5"W.C. 2611±7124Pa



**FIGURE 31**

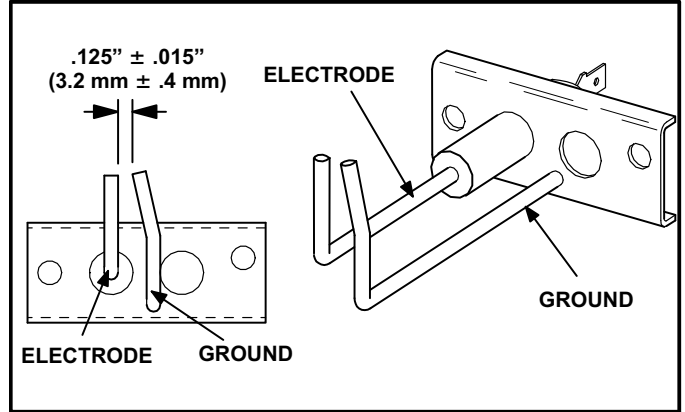
**11-Spark Electrodes**

An electrode assembly is used for ignition spark. Two identical electrodes are used (one for each gas heat section). The electrode is mounted through holes on the left-most end of the burner support. The electrode tip protrudes into the flame envelope of the adjacent burner. The electrode assembly is fastened to burner supports and can be removed for service without removing any part of the burners.

During ignition, spark travels through the spark electrode (figure 32) and ignites the left burner. Flame travels from burner to burner until all are lit.

The spark electrode is connected to the ignition control by a 8 mm silicone-insulated stranded high voltage wire. The wire uses 1/4" (6.35 mm) female quick connect on the electrode end and female spark plug-type terminal on the ignition control end.

*NOTE- IN ORDER TO MAXIMIZE SPARK ENERGY TO ELECTRODE, HIGH VOLTAGE WIRE SHOULD TOUCH UNIT CABINET AS LITTLE AS POSSIBLE.*

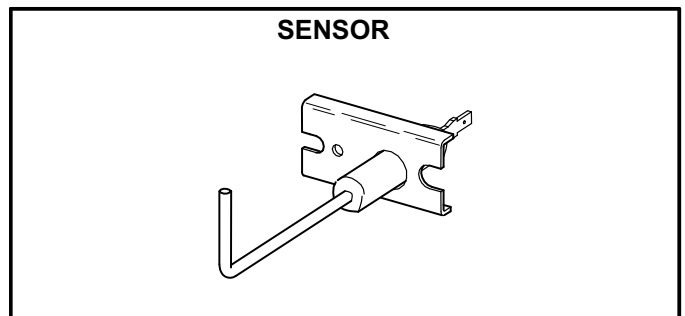


**FIGURE 32**

**12-Flame Sensors**

A flame sensor is located on the right side of each burner support. The sensor is mounted through a hole in the burner support and the tip protrudes into the flame envelope of the right most burner. The sensor assembly is fastened to burner supports and can be removed for service without removing any part of the burners.

When flame is sensed by the flame sensor (indicated by microamp signal through the flame) sparking stops immediately. During operation, flame is sensed by current passed along the ground electrode (located on the spark electrode), through the flame and into the sensing electrode. The ignition control allows the gas valve to stay open as long as a flame signal (current passed through the flame) is sensed.



**FIGURE 33**

## II-PLACEMENT AND INSTALLATION

Make sure the unit is installed in accordance with the installation instructions and all applicable codes. See accessories section for conditions requiring use of the optional roof mounting frame (C1CURB10).

## III-CHARGING

### WARNING

Refrigerant can be harmful if it is inhaled. Refrigerant must be used and recovered responsibly.

Failure to follow this warning may result in personal injury or death.

### IMPORTANT

Units equipped with a Hot Gas Reheat system **MUST** be charged in standard cooling mode.

#### A-Refrigerant Charge and Check - All-Aluminum Coil 092H, 102H, 120H, 150S Units

**WARNING-Do not exceed nameplate charge under any condition.**

This unit is factory charged and should require no further adjustment. If the system requires additional refrigerant, reclaim the charge, evacuate the system, and add required nameplate charge.

**NOTE - System charging is not recommended below 60°F (15°C). In temperatures below 60°F (15°C), the charge *must* be weighed into the system.**

If weighing facilities are not available, or to check the charge, use the following procedure:

#### **IMPORTANT - Charge unit in standard cooling mode.**

- 1- Make sure outdoor coil is clean. Attach gauge manifolds and operate unit at full CFM in cooling mode with econo-

mizer disabled until system stabilizes (approximately five minutes). Make sure all outdoor air dampers are closed.

- 2- Check each system separately with all stages operating. Compare the normal operating pressures (see tables 5 - 8) to the pressures obtained from the gauges. Check unit components if there are significant differences.
- 3- Measure the outdoor ambient temperature and the suction pressure. Refer to the appropriate circuit charging curve to determine a target liquid temperature.

*Note - Pressures are listed for sea level applications.*

- 4- Use the same thermometer to accurately measure the liquid temperature (in the outdoor section).
  - If measured liquid temperature is higher than the target liquid temperature, add refrigerant to the system.
  - If measured liquid temperature is lower than the target liquid temperature, recover some refrigerant from the system.
- 5- Add or remove charge in increments. Allow the system to stabilize each time refrigerant is added or removed.
- 6- Continue the process until measured liquid temperature agrees with the target liquid temperature. Do not go below the target liquid temperature when adjusting charge. Note that suction pressure can change as charge is adjusted.
- 7- Example LGH/LCH092 Circuit 1: At 95°F outdoor ambient and a measured suction pressure of 130psig, the target liquid temperature is 96°F. For a measured liquid temperature of 106°F, add charge in increments until measured liquid temperature agrees with the target liquid temperature.

**TABLE 5**

LGH/LCH092H Normal Operating Pressures - All-Aluminum - TXV												
	Outdoor Coil Entering Air Temperature											
	65 °F		75 °F		85 °F		95 °F		105 °F		115 °F	
	Suct (psig)	Disc (psig)	Suct (psig)	Disc (psig)	Suct (psig)	Disc (psig)	Suct (psig)	Disc (psig)	Suct (psig)	Disc (psig)	Suct (psig)	Disc (psig)
Circuit 1	110	234	112	273	115	317	116	367	119	428	121	503
	118	236	120	275	123	319	125	369	127	426	130	497
	136	240	139	278	142	320	145	369	147	422	150	483
	157	248	159	284	163	325	166	373	168	424	171	482
Circuit 2	112	232	115	269	117	313	118	371	120	441	122	523
	119	237	122	273	125	316	128	367	129	431	132	508
	134	243	139	279	143	320	146	370	149	424	151	488
	155	253	156	287	161	328	165	376	169	427	172	487

**TABLE 6**

<b>LGH/LCH102H Normal Operating Pressures - All-Aluminum - TXV</b>												
Outdoor Coil Entering Air Temperature												
	65 °F		75 °F		85 °F		95 °F		105 °F		115 °F	
	Suct (psig)	Disc (psig)	Suct (psig)	Disc (psig)	Suct (psig)	Disc (psig)	Suct (psig)	Disc (psig)	Suct (psig)	Disc (psig)	Suct (psig)	Disc (psig)
Circuit 1	111	234	113	273	115	316	117	365	119	419	121	480
	120	236	121	275	124	317	126	365	128	417	130	476
	139	241	142	279	144	321	147	367	148	420	151	476
	156	251	160	287	164	328	168	374	171	424	175	480
Circuit 2	113	233	116	273	118	317	120	371	122	439	125	530
	122	233	124	273	126	317	128	369	131	428	134	502
	137	242	142	278	145	320	148	369	150	426	153	489
	155	251	159	288	164	328	168	375	171	429	174	488

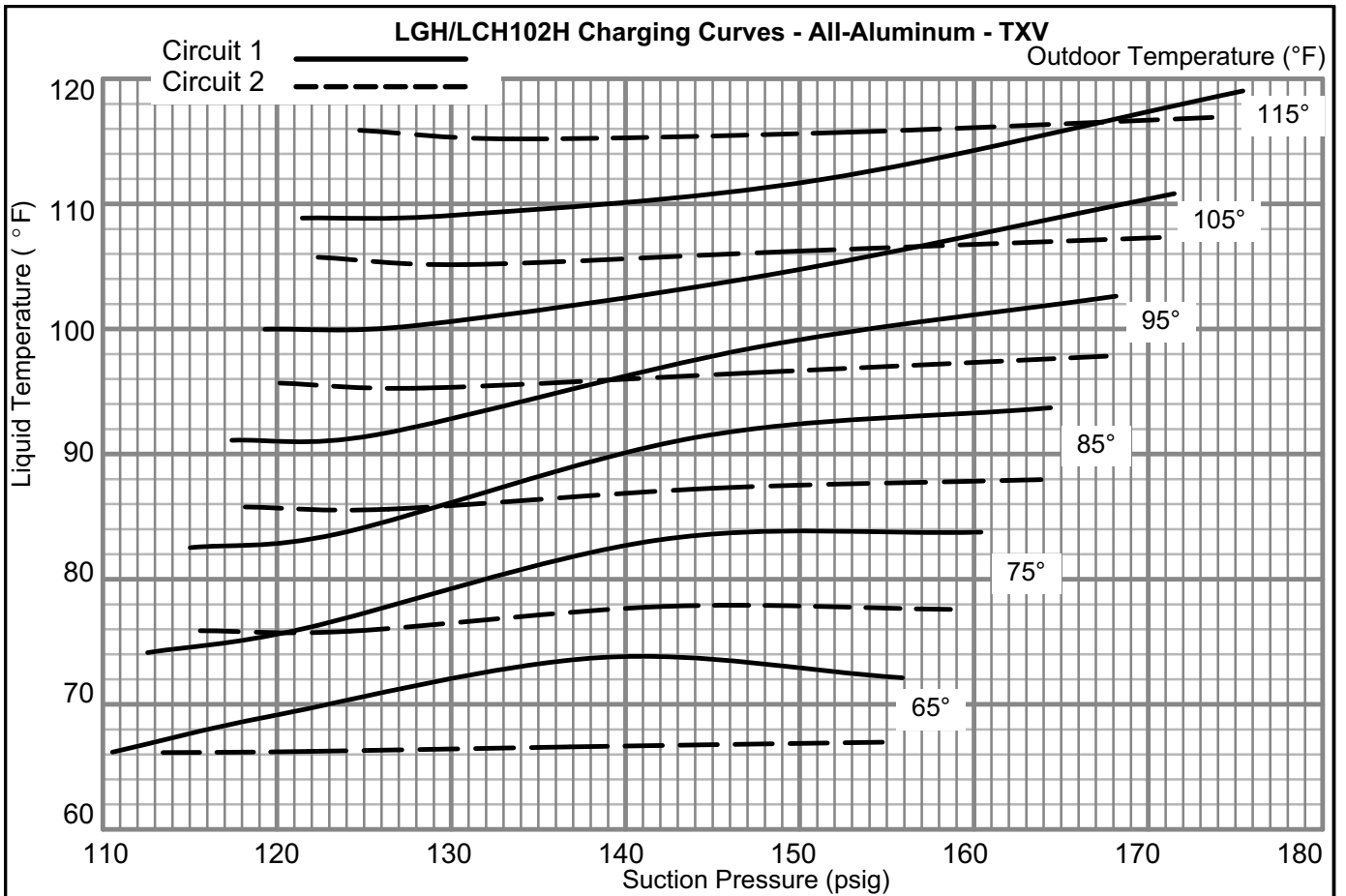
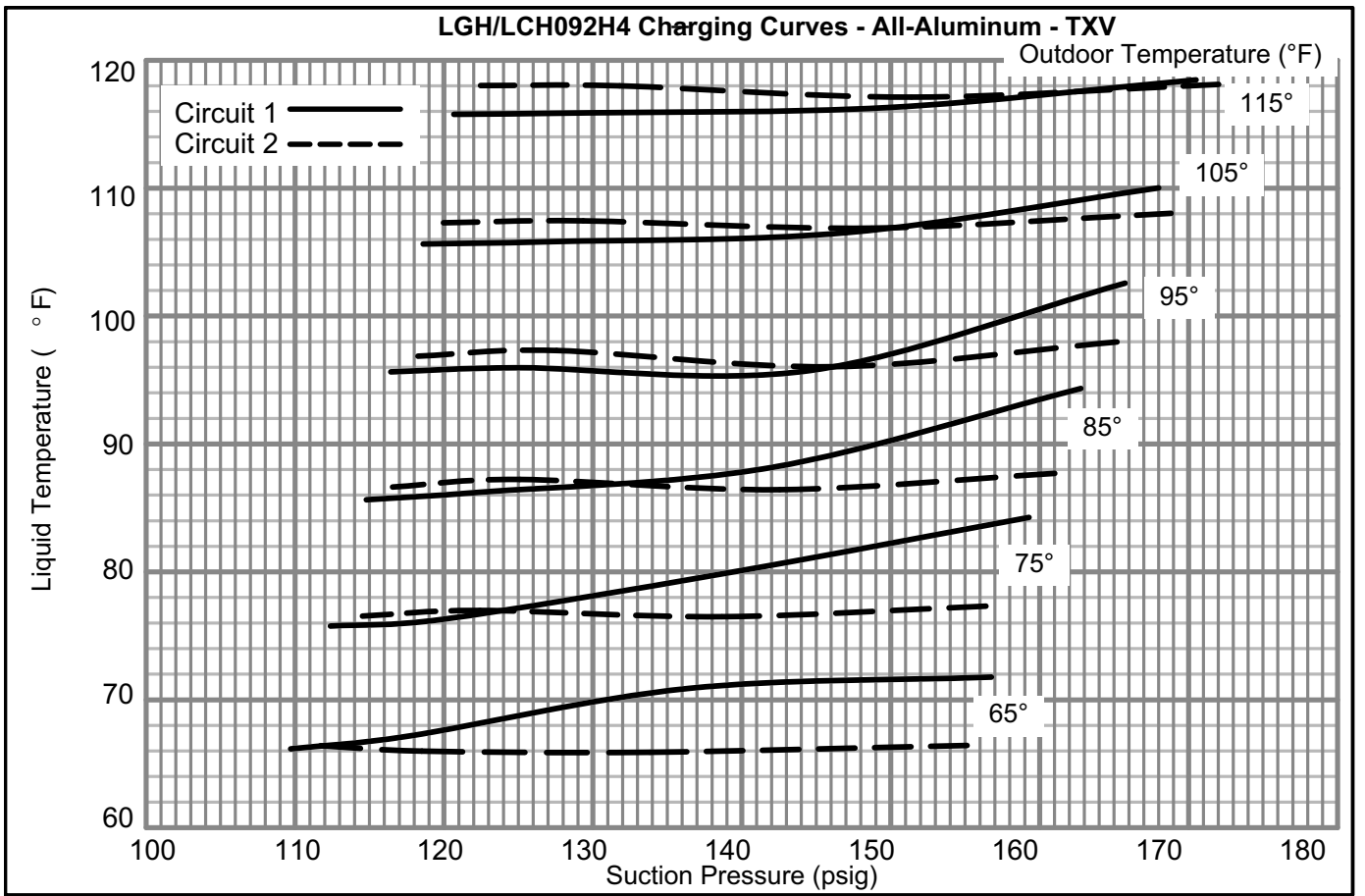
**TABLE 7**

<b>LGH/LCH120H All-Aluminum Coil Normal Operating Pressures - TXV</b>												
Outdoor Coil Entering Air Temperature												
	65 °F		75 °F		85 °F		95 °F		105 °F		115 °F	
	Suct (psig)	Disc (psig)	Suct (psig)	Disc (psig)	Suct (psig)	Disc (psig)	Suct (psig)	Disc (psig)	Suct (psig)	Disc (psig)	Suct (psig)	Disc (psig)
Circuit 1	113	251	113	290	112	331	116	383	117	439	120	520
	120	254	123	293	124	338	126	388	127	441	129	510
	139	264	142	303	144	345	147	393	146	445	148	510
	155	278	160	314	164	357	167	403	169	456	173	512
Circuit 2	110	251	111	287	111	329	114	388	117	454	120	538
	119	249	120	291	122	336	124	389	126	447	128	520
	139	259	142	297	143	337	145	390	144	444	149	514
	155	274	160	307	164	349	166	393	169	448	170	510

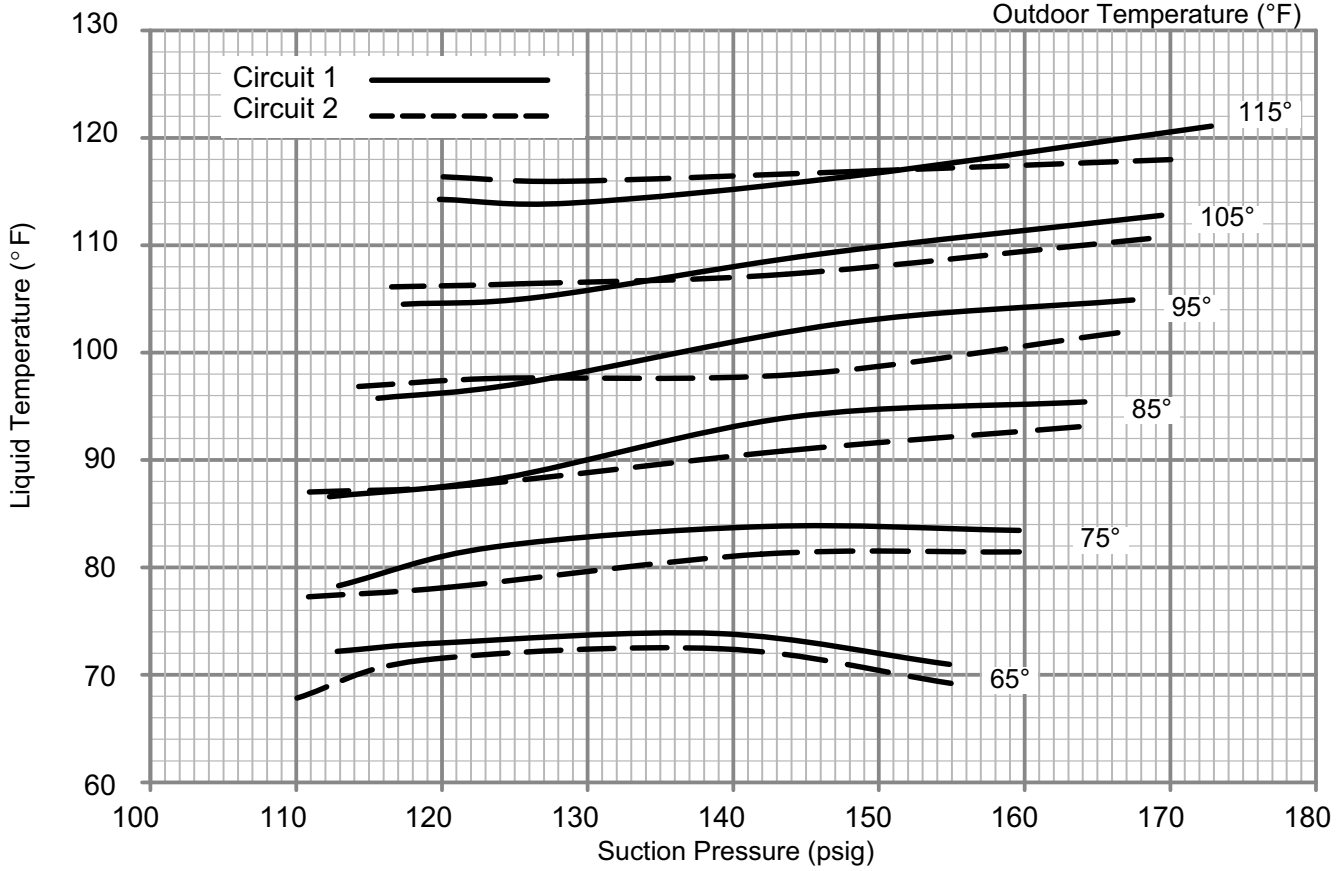
**TABLE 8**

<b>LGH/LCH150S All-Aluminum Coil Normal Operating Pressures - TXV</b>												
Outdoor Coil Entering Air Temperature												
	65 °F		75 °F		85 °F		95 °F		105 °F		115 °F	
	Suct (psig)	Disc (psig)	Suct (psig)	Disc (psig)	Suct (psig)	Disc (psig)	Suct (psig)	Disc (psig)	Suct (psig)	Disc (psig)	Suct (psig)	Disc (psig)
Circuit 1	111	259	113	301	115	345	114	396	117	456	120	526
	121	264	122	303	124	351	125	398	128	455	130	524
	140	274	142	313	145	357	146	405	148	460	151	525
	159	285	163	327	165	369	166	413	171	471	174	532
Circuit 2	111	253	113	290	115	334	114	381	117	440	120	523
	122	255	122	294	124	336	125	385	127	440	130	520
	140	263	142	302	144	345	145	391	147	445	150	510
	159	274	163	314	165	355	165	397	170	455	172	513

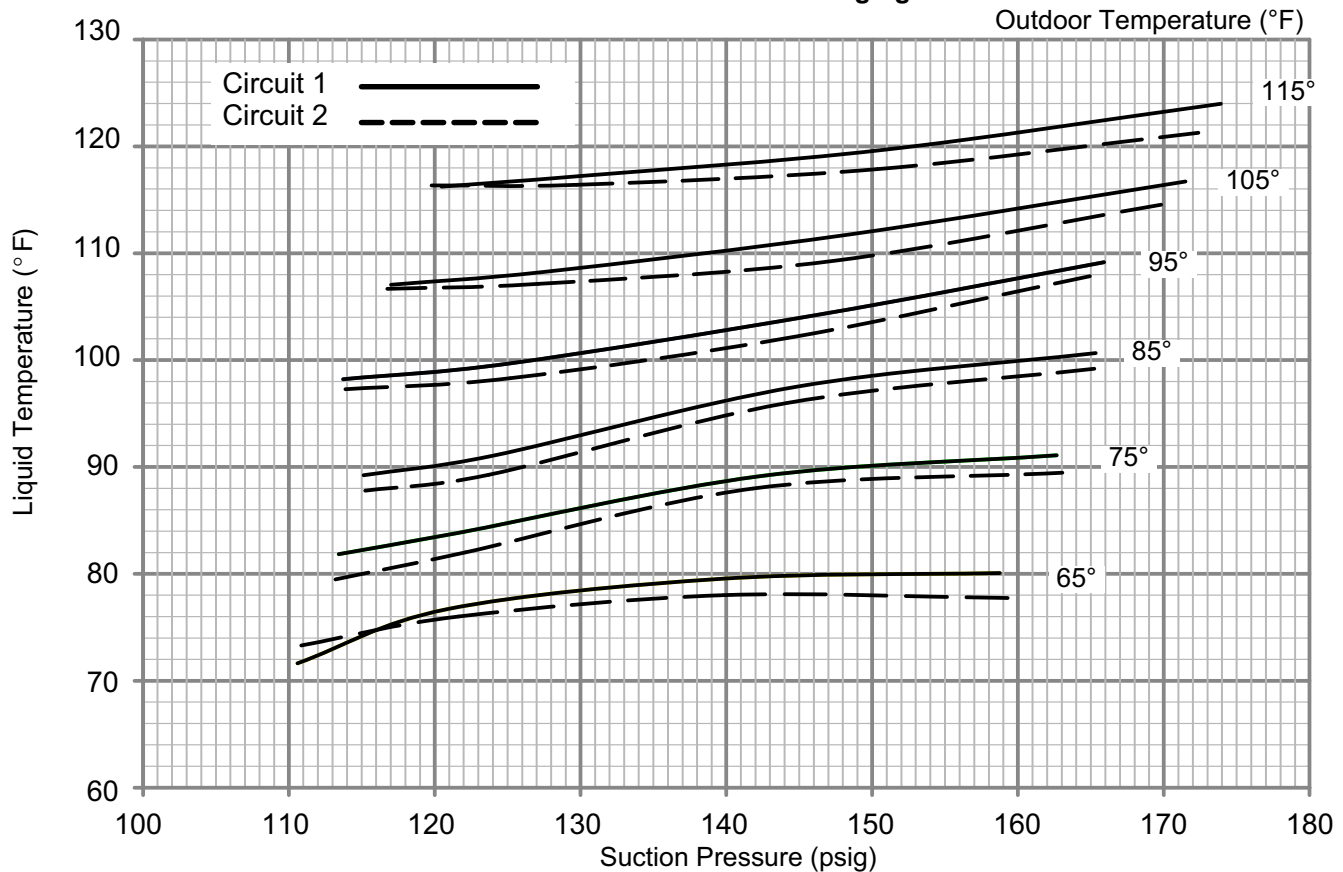




### LGH/LCH120H All-Aluminum Coil Charging Curves



### LGH/LCH150S All-Aluminum Coil Charging Curves



**B-Refrigerant Charge and Check - Fin/Tube Coil - TXV**  
**LGH/LCH092H, 102H, 120H, 150S, 150H**

**WARNING-Do not exceed nameplate charge under any condition.**

This unit is factory charged and should require no further adjustment. If the system requires additional refrigerant, re-claim the charge, evacuate the system, and add required nameplate charge.

*NOTE - System charging is not recommended below 60°F (15°C). In temperatures below 60°F (15°C), the charge must be weighed into the system.*

If weighing facilities are not available, or to check the charge, use the following procedure:

**IMPORTANT - Charge unit in standard cooling mode.**

- 1- Attach gauge manifolds and operate unit in cooling mode with economizer disabled until system stabilizes (approximately five minutes). Make sure outdoor air dampers are closed.
- 2- Check each system separately with all stages operating.
- 3- Use a thermometer to accurately measure the outdoor ambient temperature.
- 4- Apply the outdoor temperature to tables 9 through 18 to determine normal operating pressures. Pressures are listed for sea level applications at 80°F dry bulb and 67°F wet bulb return air.
- 5- Compare the normal operating pressures to the pressures obtained from the gauges. Minor variations in these pressures may be expected due to differences in installations. Significant differences could mean that the system is not properly charged or that a problem exists with some component in the system. **Correct any system problems before proceeding.**
- 6- If discharge pressure is high, remove refrigerant from the system. If discharge pressure is low, add refrigerant to the system.
  - Add or remove charge in increments.
  - Allow the system to stabilize each time refrigerant is added or removed.
- 7- Use the following approach method along with the normal operating pressures to confirm readings.

**TABLE 9**  
**LGH/LCH092H Fin/Tube Coil - TXV**

Outdoor Coil Entering Air Temp	CIRCUIT 1		CIRCUIT 2	
	Dis-charge ±10 psig	Suction ±5 psig	Dis-charge ±10 psig	Suction ±5 psig
65°F	235	137	262	137
75 °F	272	139	298	141
85 °F	312	142	338	144
95 °F	357	146	380	146
105 °F	407	149	428	149
115 °F	460	154	477	153

**TABLE 10**  
**LGH/LCH092H Fin/Tube Coil Hot Gas Reheat - TXV**

Outdoor Coil Entering Air Temp	CIRCUIT 1		CIRCUIT 2	
	Dis-charge ±10 psig	Suction ±5 psig	Dis-charge ±10 psig	Suction ±5 psig
65 °F	242	134	262	139
75 °F	279	137	297	143
85 °F	319	140	338	146
95 °F	364	143	379	148
105 °F	414	146	427	151
115 °F	467	151	476	155

**TABLE 11**  
**LGH/LCH102H Fin/Tube Coil - TXV**

Outdoor Coil Entering Air Temp	CIRCUIT 1		CIRCUIT 2	
	Dis-charge ±10 psig	Suction ±5 psig	Dis-charge ±10 psig	Suction ±5 psig
65 °F	241	139	273	141
75 °F	277	141	307	144
85 °F	318	143	348	147
95 °F	362	145	389	149
105 °F	411	148	437	151
115 °F	464	150	486	152

**TABLE 12**  
**LGH/LCH102H Fin/Tube Coil Hot Gas Reheat - TXV**

Outdoor Coil Entering Air Temp	CIRCUIT 1		CIRCUIT 2	
	Dis-charge ±10 psig	Suction ±5 psig	Dis-charge ±10 psig	Suction ±5 psig
65 °F	249	137	272	142
75 °F	285	139	306	145
85 °F	327	141	347	148
95 °F	370	143	389	150
105 °F	420	146	436	152
115 °F	473	148	485	154

**TABLE 13**  
**LGH/LCH120H Fin/Tube Coil - TXV**

Outdoor Coil Entering Air Temp	CIRCUIT 1		CIRCUIT 2	
	Dis-charge ±10 psig	Suction ±5 psig	Dis-charge ±10 psig	Suction ±5 psig
65° F	259	137	283	139
75° F	297	140	321	142
85° F	338	143	360	144
95° F	382	146	406	146
105° F	431	149	453	148
115° F	486	151	505	151

**TABLE 14**  
**LGH/LCH120H Fin/Tube Coil Hot Gas Reheat - TXV**

Outdoor Coil Entering Air Temp	CIRCUIT 1		CIRCUIT 2	
	Dis-charge ±10 psig	Suction ±5 psig	Dis-charge ±10 psig	Suction ±5 psig
65° F	266	134	281	139
75° F	303	137	310	141
85° F	344	140	358	143
95° F	391	143	403	145
105° F	443	146	450	146
115° F	499	149	497	148

**TABLE 15**  
**LGH/LCH150S Fin/Tube Coil - TXV**

Outdoor Coil Entering Air Temp	CIRCUIT 1		CIRCUIT 2	
	Dis-charge ±10 psig	Suction ±5 psig	Dis-charge ±10 psig	Suction ±5 psig
65° F	275	140	298	139
75° F	312	142	335	141
85° F	354	143	374	142
95° F	398	146	419	146
105° F	449	149	465	148
115° F	500	151	514	150

**TABLE 16**  
**LGH/LCH150S Fin/Tube Coil Hot Gas Reheat - TXV**

Outdoor Coil Entering Air Temp	CIRCUIT 1		CIRCUIT 2	
	Dis-charge ±10 psig	Suction ±5 psig	Dis-charge ±10 psig	Suction ±5 psig
65° F	280	136	296	136
75° F	319	141	335	141
85° F	360	142	376	143
95° F	407	144	420	144
105° F	455	147	466	147
115° F	510	150	518	150

**TABLE 17**  
**LGH/LCH150H Fin/Tube - TXV**

Outdoor Coil Entering Air Temp	CIRCUIT 1		CIRCUIT 2	
	Dis-charge ±10 psig	Suction ±5 psig	Dis-charge ±10 psig	Suction ±5 psig
65°F	276	131	275	125
75°F	317	133	314	128
85°F	357	136	363	131
95°F	399	139	408	136
105°F	450	142	457	140
115°F	502	145	509	142

**TABLE 18**  
**LGH/LCH150H Fin/Tube Hot Gas Reheat - TXV**

Outdoor Coil Entering Air Temp	CIRCUIT 1		CIRCUIT 2	
	Dis-charge ±10 psig	Suction ±5 psig	Dis-charge ±10 psig	Suction ±5 psig
65° F	296	135	286	135
75° F	334	137	318	136
85° F	378	139	364	138
95° F	422	142	409	140
105° F	470	144	458	142
115° F	520	147	509	146

**Charge Verification - Approach Method - AHRI Testing (Fin/Tube Coil Continued)**

1- Using the same thermometer, compare liquid temperature to outdoor ambient temperature.

Approach Temperature = Liquid temperature (at condenser outlet) minus ambient temperature.

2- Approach temperature should match values in table 19. An approach temperature greater than value shown indicates an undercharge. An approach temperature less than value shown indicates an overcharge.

3- The approach method is not valid for grossly over or undercharged systems. Use tables 9 through 18 as a guide for typical operating pressures.

**TABLE 19**  
**APPROACH TEMPERATURE - FIN/TUBE COIL - TXV**

Unit	Liquid Temp. Minus Ambient Temp.	
	1st Stage	2nd Stage
092	6°F ± 1 (3.3°C ± 0.5)	7°F ± 1 (3.9°C ± 0.5)
102	6°F ± 1 (3.3°C ± 0.5)	9°F ± 1 (5.0°C ± 0.5)
120 & 150S	6°F ± 1 (3.3°C ± 0.5)	10°F ± 1 (5.6°C ± 0.5)
150H	4°F ± 1 (2.2°C ± 0.5)	6°F ± 1 (3.3°C ± 0.5)
092, 120 & 150 Hot Gas Reheat	6°F ± 1 (3.3°C ± 0.5)	8°F ± 1 (4.4°C ± 0.5)
102 Hot Gas Reheat	6°F ± 1 (3.3°C ± 0.5)	9°F ± 1 (5.0°C ± 0.5)

**F-Refrigerant Charge and Check - Fin/Tube Coil & RFC LGH/LCH150S**

**WARNING-Do not exceed nameplate charge under any condition.**

This unit is factory charged and should require no further adjustment. If the system requires additional refrigerant, re-claim the charge, evacuate the system, and add required nameplate charge.

*NOTE - System charging is not recommended below 60° F (15° C). In temperatures below 60° F (15° C), the charge must be weighed into the system.*

If weighing facilities are not available, or to check the charge, use the following procedure:

**IMPORTANT - Charge unit in standard cooling mode.**

- 1- Make sure outdoor coil is clean. Attach gauge manifolds and operate unit at full CFM in cooling mode with economizer disabled until system stabilizes (approximately five minutes). Make sure all outdoor air dampers are closed.
- 2- Check each system separately with all stages operating. Compare the normal operating pressures (see table 20) to the pressures obtained from the gauges. Check unit components if there are significant differences.
- 3- Measure the outdoor ambient temperature and the suction pressure. Refer to the appropriate circuit charging curve to determine a target liquid temperature.

*Note - Pressures are listed for sea level applications.*

- 4- Use the same thermometer to accurately measure the liquid temperature (in the outdoor section).
  - If measured liquid temperature is higher than the target liquid temperature, add refrigerant to the system.
  - If measured liquid temperature is lower than the target liquid temperature, recover some refrigerant from the system.
- 5- Add or remove charge in increments. Allow the system to stabilize each time refrigerant is added or removed.
- 6- Continue the process until measured liquid temperature agrees with the target liquid temperature. Do not go below the target liquid temperature when adjusting

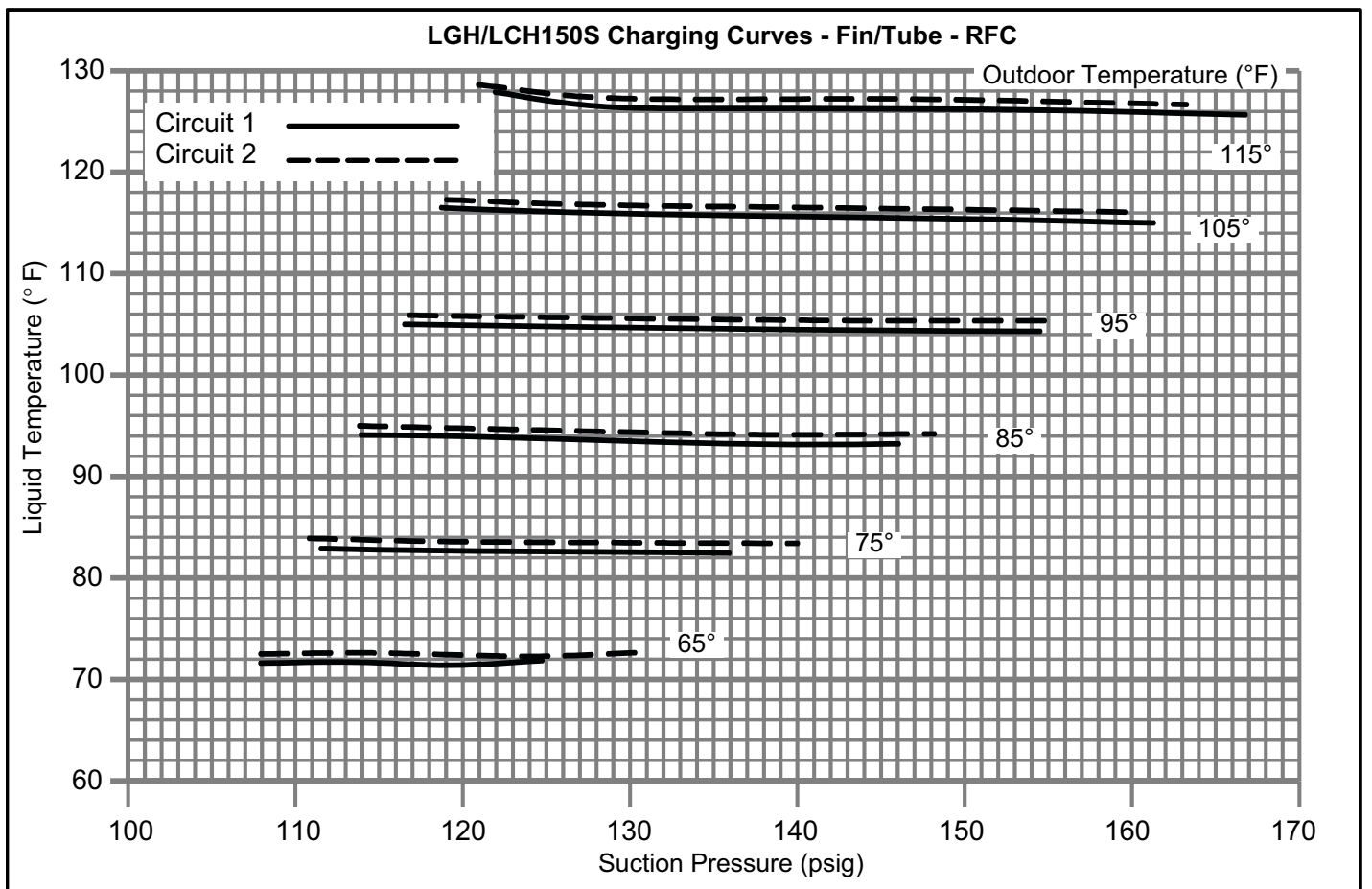
charge. Note that suction pressure can change as charge is adjusted.

target liquid temperature is 96°F. For a measured liquid temperature of 106°F, add charge in increments until measured liquid temperature agrees with the target liquid temperature.

7- Example LGH/LCH150 Circuit 1: At 95°F outdoor ambient and a measured suction pressure of 130psig, the

**TABLE 20**

LGH/LCH150S Normal Operating Pressures - Fin/Tube - RFC												
Outdoor Coil Entering Air Temperature												
	65 °F		75 °F		85 °F		95 °F		105 °F		115 °F	
	Suct (psig)	Disc (psig)	Suct (psig)	Disc (psig)	Suct (psig)	Disc (psig)	Suct (psig)	Disc (psig)	Suct (psig)	Disc (psig)	Suct (psig)	Disc (psig)
Circuit 1	108	253	112	295	114	338	117	384	119	438	122	501
	114	255	119	296	122	342	125	390	127	444	129	501
	119	257	129	303	136	348	141	403	145	460	149	522
	125	264	136	308	146	358	155	413	161	470	167	530
Circuit 2	108	273	111	314	114	356	117	400	119	451	121	508
	115	277	119	318	122	362	125	409	128	460	129	512
	124	284	131	327	137	372	141	422	145	474	147	532
	131	289	140	334	148	382	155	434	160	486	163	541



## G-Refrigerant Charge and Check - Fin/Tube Coil & TXV

### LGH/LCH094U, 122U, 152U

**WARNING-Do not exceed nameplate charge under any condition.**

This unit is factory charged and should require no further adjustment. If the system requires additional refrigerant, re-claim the charge, evacuate the system, and add required nameplate charge. This unit is equipped with solenoid valves which do not allow refrigerant flow between the high side and the low side when the unit is de-energized. When reclaiming/evacuating the system, make sure refrigerant/vacuum is pulled from both the suction and discharge lines. When adding nameplate charge, add 1/3 to the suction line and 2/3 to the discharge line.

**NOTE - System charging is not recommended below 60°F (15°C). In temperatures below 60°F (15°C), the charge *must* be weighed into the system.**

If weighing facilities are not available, or to check the charge, use the following procedure:

#### IMPORTANT - Charge unit in standard cooling mode.

- 1- Attach gauge manifolds and operate unit in cooling mode with economizer disabled until system stabilizes (approximately five minutes). Make sure outdoor air dampers are closed.
- 2- Make sure both compressors are operating.
- 3- Use a thermometer to accurately measure the outdoor ambient temperature.
- 4- Apply the outdoor temperature to tables 21 through 23 to determine normal operating pressures. Pressures are listed for sea level applications at 80°F dry bulb and 67°F wet bulb return air.
- 5- Compare the normal operating pressures to the pressures obtained from the gauges. Minor variations in these pressures may be expected due to differences in installations. Significant differences could mean that the system is not properly charged or that a problem exists with some component in the system. **Correct any system problems before proceeding.**
- 6- If discharge pressure is high, remove refrigerant from the system. If discharge pressure is low, add refrigerant to the system.
  - Add or remove charge in increments.
  - Allow the system to stabilize each time refrigerant is added or removed.
- 7- Use the following approach method along with the normal operating pressures to confirm readings.

**TABLE 21  
LGH/LCH094U**

Outdoor Coil Entering Air Temp	Discharge ±10 psig	Suction ±5 psig
65° F	238	136
75° F	273	141
85° F	313	143
95° F	361	146
105° F	396	149
115° F	448	152

**TABLE 22  
LGH/LCH122U**

Outdoor Coil Entering Air Temp	Discharge ±10 psig	Suction ±5 psig
65° F	250	134
75° F	288	138
85° F	331	141
95° F	378	143
105° F	412	144
115° F	463	147

**TABLE 23  
LGH/LCH152U**

Outdoor Coil Entering Air Temp	Discharge ±10 psig	Suction ±5 psig
65° F	266	129
75° F	305	132
85° F	346	134
95° F	391	138
105° F	443	141
115° F	498	143

#### Charge Verification - Approach Method - AHRI Testing (Fin/Tube Coil Continued)

- 1- Using the same thermometer, compare liquid temperature to outdoor ambient temperature.
 

Approach Temperature = Liquid temperature (at condenser outlet) minus ambient temperature.
- 2- Approach temperature should match values in table 24. An approach temperature greater than value shown indicates an undercharge. An approach temperature less than value shown indicates an overcharge.
- 3- The approach method is not valid for grossly over or undercharged systems. Use tables 21 through 23 as a guide for typical operating pressures.

**TABLE 24  
APPROACH TEMPERATURE - 094, 122, 152**

Unit	Liquid Temp. Minus Ambient Temp.
	Full Load (Both Compressors)
094	5°F ± 1 (2.8°C ± 0.5)
122, 152	4°F ± 1 (2.2°C ± 0.5)

## IV-START-UP - OPERATION

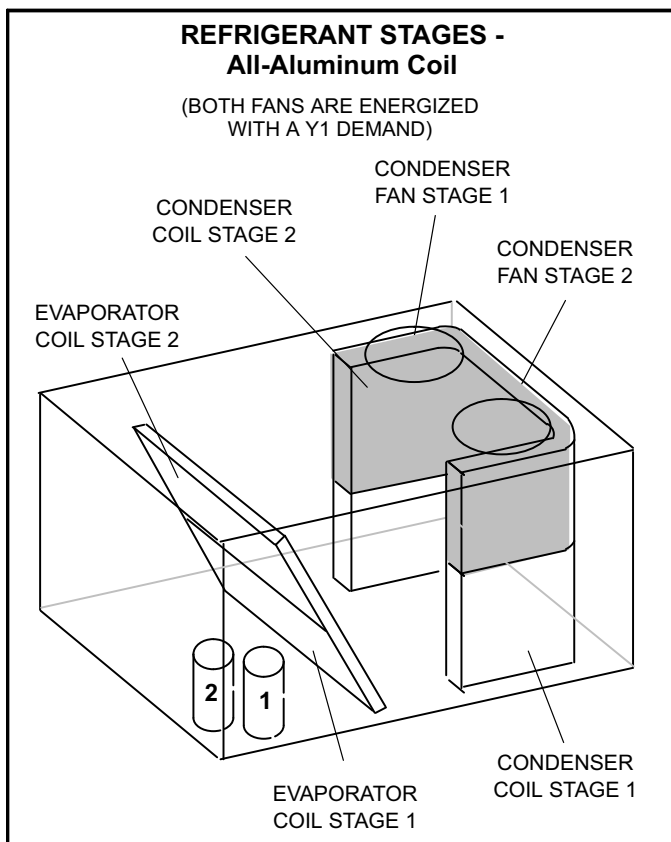
Refer to start-up directions and to the unit wiring diagram when servicing. See unit nameplate for minimum circuit ampacity and maximum fuse size.

### A-Preliminary and Seasonal Checks

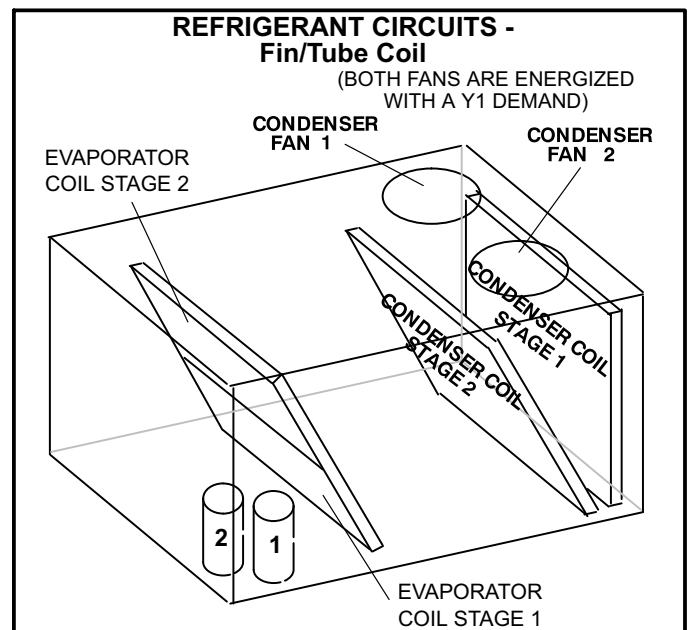
- 1- Make sure the unit is installed in accordance with the installation instructions and applicable codes.
- 2- Inspect all electrical wiring, both field and factory installed for loose connections. Tighten as required. Refer to unit diagram located on inside of unit control box cover.
- 3- Check to ensure that refrigerant lines are in good condition and do not rub against the cabinet or other refrigerant lines.
- 4- Check voltage. Voltage must be within the range listed on the nameplate. If not, consult power company and have the voltage corrected before starting the unit.
- 5- Recheck voltage and amp draw with unit running. If voltage is not within range listed on unit nameplate, stop unit and consult power company. Refer to unit nameplate for maximum rated load amps.
- 6- Inspect and adjust blower belt (see section on Blower Compartment - Blower Belt Adjustment).

### B-Cooling Start-up See figure 34, 35 or 36 for Circuits

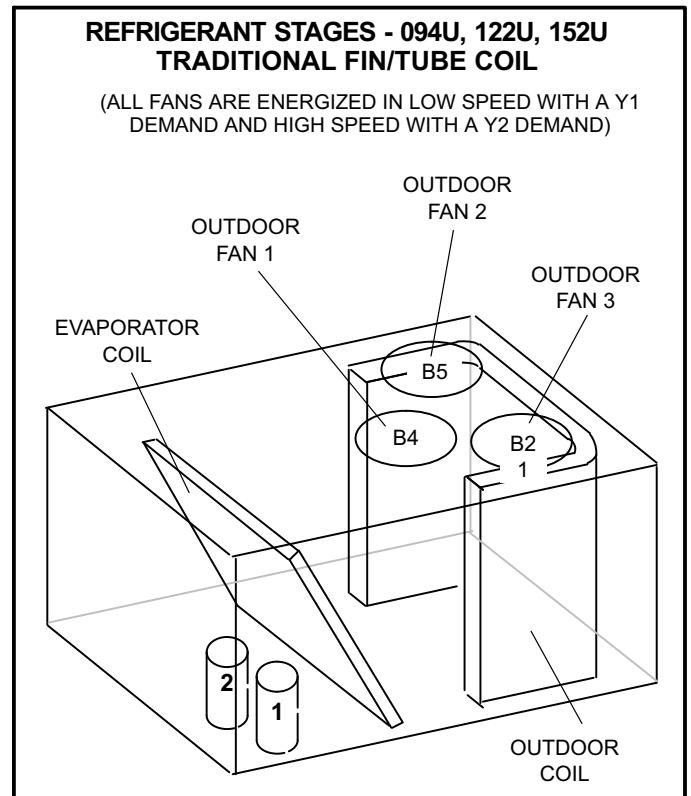
*NOTE-Crankcase heaters must be energized 24 hours before attempting to start compressor. Set thermostat so that there is no demand to prevent compressor from cycling. Apply power to unit.*



**FIGURE 34**



**FIGURE 35**



**FIGURE 36**

*VFD Units - Refer to the Supply Air Inverter Start-Up section.*

- 1- Initiate first and second stage cooling demands according to instructions provided with thermostat.
- 2- First-stage thermostat demand will energize compressor 1. Second-stage thermostat demand will energize compressor 2.
- 3- Standard and high efficiency units contain two refrigerant circuits or stages. Ultra high efficiency units have one common (tandem) refrigerant circuit.
- 4- Each refrigerant circuit is separately charged with refrigerant. See unit rating plate for correct amount of charge.

## C-Heating Start-up

### FOR YOUR SAFETY READ BEFORE LIGHTING

#### ⚠ WARNING



**Danger of explosion. Can cause injury or product or property damage. If overheating occurs or if gas supply fails to shut off, shut off the manual gas valve to the appliance before shutting off electrical supply.**

#### ⚠ WARNING



**Electric shock hazard. Can cause injury or death. Before attempting to perform any service or maintenance, turn the electrical power to unit OFF at disconnect switch(es). Unit may have multiple power supplies.**

BEFORE LIGHTING smell all around the appliance area for gas. Be sure to smell next to the floor because some gas is heavier than air and will settle on the floor.

Use only your hand to push in or turn the gas control knob. Never use tools. If the knob will not push in or turn by hand, do not try to repair it, call a qualified service technician. Force or attempted repair may result in a fire or explosion.



#### ⚠ IMPORTANT

**Units equipped with a Hot Gas Reheat system MUST be charged in standard cooling mode.**


In case of a safety shutdown, move thermostat switch to **OFF** and return the thermostat switch to **HEAT** to reset ignition control.

### Placing Furnace In Operation

#### Gas Valve Operation for White Rodgers 36C and Honeywell VR8205Q/VR8305Q (figure 37)

- 1- Set thermostat to lowest setting.
- 2- Turn off all electrical power to appliance.
- 3- This appliance is equipped with an ignition device which automatically lights the burner. Do **not** try to light the burner by hand.
- 4- Open or remove the heat section access panel.
- 5- Turn the knob on the gas valve clockwise  to "**OFF**". Depress 36C knob slightly. Do not force.
- 6- Wait five (5) minutes to clear out any gas. If you then smell gas, **STOP!** Immediately call your gas supplier from a neighbor's phone. Follow the gas supplier's instructions. If you do not smell gas, go to the next step.
- 7- Turn the knob on the gas valve counterclockwise  to "**ON**". Do not force.
- 8- Close or replace the heat section access panel.
- 9- Turn on all electrical power to appliance.
- 10- Set thermostat to desired setting.
- 11- The combustion air inducer will start. The burners will light within 40 seconds.
- 12- If the appliance does not light the first time (gas line not fully purged), it will attempt up to two more ignitions before locking out.
- 13- If lockout occurs, repeat steps 1 through 10.
- 14- If the appliance will not operate, follow the instructions "Turning Off Gas to Appliance" and call your service technician or gas supplier.

### Turning Off Gas to Appliance

- 1- If using an electromechanical thermostat, set to the lowest setting.
- 2- Before performing any service, turn off all electrical power to the appliance.
- 3- Open or remove the heat section access panel.
- 4- Turn the knob on the gas valve clockwise  to "**OFF**". Depress 36C knob slightly. Do not force.

### D-Safety or Emergency Shutdown

Turn off power to the unit. Close manual and main gas valves.

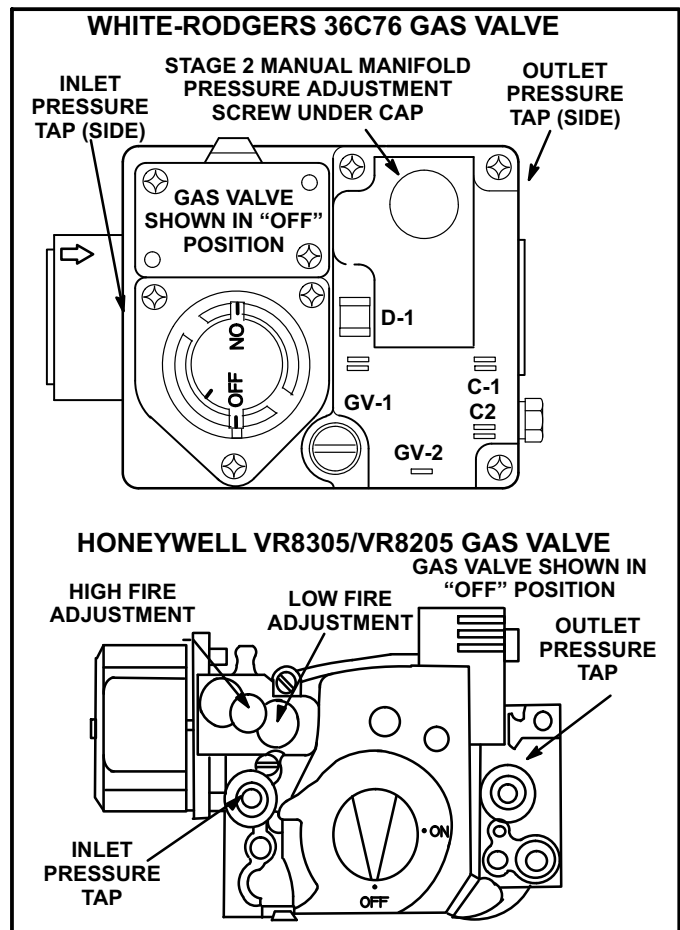


FIGURE 37



## V- SYSTEMS SERVICE CHECKS

### A-Heating System Service Checks

All LGH units are ETL/CSA design certified without modification.

Before checking piping, check with gas company or authorities having jurisdiction for local code requirements. Refer to the LGH installation instruction for more information.

#### 1-Gas Piping

Gas supply piping must not allow more than 0.5"W.C. (124.3 Pa) drop in pressure between the gas meter and the unit. Supply gas pipe must not be smaller than the unit gas connection. Refer to installation instructions for details.

#### 2-Testing Gas Piping

*NOTE-In case emergency shutdown is required, turn off the main manual shut-off valve and disconnect the main power to the unit. These controls should be properly labeled by the installer.*

When pressure testing gas lines, the gas valve must be disconnected and isolated. **Gas valves can be damaged if subjected to more than 0.5 psig [14"W.C. (3481 Pa)].** See figure 38.

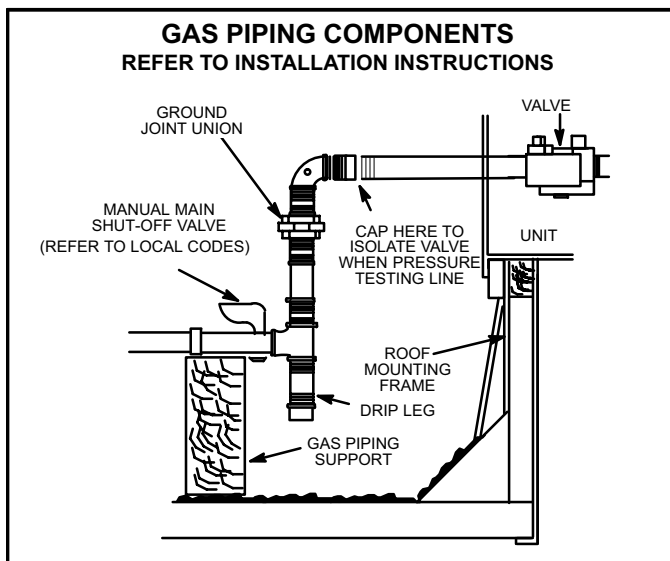


FIGURE 38

When checking piping connection for gas leaks, use the preferred means. Common kitchen detergents can cause harmful corrosion on various metals used in gas piping. The use of specialty Gas Leak Detector is strongly recommended.

**Do not use matches, candles, flame or any other source of ignition to check for gas leaks.**

#### 3-Testing Gas Supply Pressure

When testing gas supply pressure, connect test gauge to the inlet pressure tap located on unit gas valve GV1 and or GV3. Test supply gas pressure with unit firing at maximum rate (both stages energized). Make sure the reading falls within the range of the following values. Low pressure may result in erratic operation or "underfire." High pressure can

result in permanent damage to the gas valve or "overfire." For natural gas units, operating pressure at the unit gas connection must be between 4.7"W.C. and 10.5"W.C. (1168 Pa and 2610 Pa). For L.P. gas units, operating pressure at the unit gas connection must be between 10.8"W.C. and 13.5"W.C. (2685.3 Pa and 3356.7 Pa).

On multiple unit installations, each unit should be checked separately while operating at maximum rate, beginning with the one closest to the supply gas main and progressing to the one furthest from the main. Multiple units should also be tested with and without the other units operating. Supply pressure must fall within the range listed in the previous paragraph.

#### 4-Check and Adjust Manifold Pressure

After line pressure has been checked and adjusted, check manifold pressure. Move test gauge to the outlet pressure tap located on unit gas valve GV1 and or GV3. See figure 37 for location of pressure tap on the gas valve.

The manifold pressure is factory set and should not require adjustment. If manifold pressure is incorrect and no other source of improper manifold pressure can be found, the valve must be replaced. See figure 37 for location of gas valve (manifold pressure) adjustment screw.

All gas valves are factory regulated. The gas valve should completely and immediately cycle off in the event of gas or power failure. The manual shut-off knob can be used to immediately shut off gas supply.

### CAUTION

**For safety, connect a shut-off valve between the manometer and the gas tap to permit shut off of gas pressure to the manometer.**

#### Manifold Adjustment Procedure

- 1- Connect test gauge to the outlet pressure tap on the gas valve. Start the unit (call for second stage heat) and allow five minutes for the unit to reach steady state.
- 2- While waiting for the unit to stabilize, notice the flame. The flame should be stable without flashback and should not lift from the burner heads. Natural gas should burn basically blue with some clear streaks. L.P. gas should burn mostly blue with some clear yellow streaks.
- 3- After allowing the unit to stabilize for five minutes, record the manifold pressure and compare to the values given in table 4.

### CAUTION

**Disconnect heating demand as soon as an accurate reading has been obtained.**

## 5-Proper Gas Flow

To check for proper gas flow to burners, determine Btuh input from unit rating plate or the gas heating capacity in the SPECIFICATIONS tables. Divide this input rating by the Btuh per cubic foot of available gas. Result is the number of cubic feet per hour required. Determine the flow of gas through gas meter for two minutes and multiply by 30 to get hourly flow of gas to the burners.

*NOTE - To obtain accurate reading, shut off all other gas appliances connected to meter.*

## 6-Inshot Burner

Burners are factory set for maximum air and cannot be adjusted. Always operate unit with access panel in place. A peep hole is furnished in the heating access panel for flame viewing. Natural gas should burn basically blue with some clear streaks. L.P. gas should burn mostly blue with some clear yellow streaks.

Figure 39 shows how to remove burner assembly.

- 1- Turn off power to unit and shut off gas supply.
- 2- Remove screws holding the burner support cap.
- 3- Slide each burner off its orifice.
- 4- Clean and reassemble (reverse steps 1-3).
- 5- Be sure to secure all wires and check plumbing.
- 6- Turn on power to unit. Follow lighting instructions attached to unit and operate unit in heating mode. Check burner flames. They should be blue with yellow streaks.

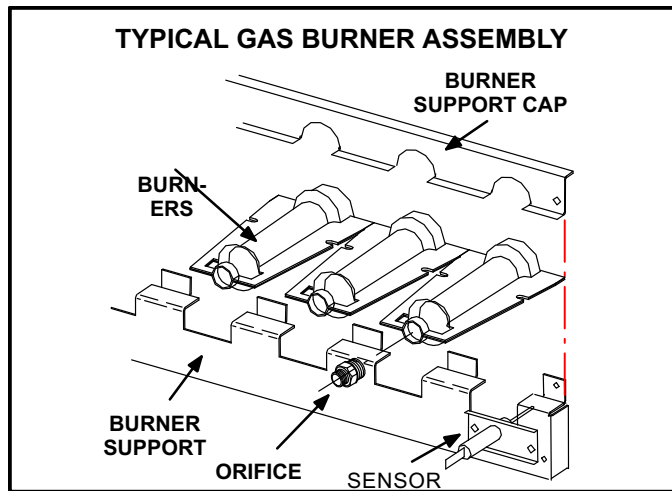


FIGURE 39

## 7-Spark Electrode Gap

The spark electrode assembly can be removed for inspection by removing two screws securing the electrode assembly and sliding it out of unit.

For proper unit operation, electrodes must be positioned and the spark gap set correctly.

Spark gap may be checked with appropriately sized twist drills or feeler gauges. Disconnect power to the unit and remove electrode assembly. The gap should be between 0.125"  $\pm$  0.015" (3.2 mm  $\pm$  .4 mm). See figure 32.

## 8-Heat Exchanger

To Access or Remove Heat Exchanger From Unit:

- 1- Turn off gas and electric power.
- 2- Remove access panel(s) and unit center mullion.
- 3- Remove gas valve, manifold assembly and burners.
- 4- Remove combustion air inducer and flue box. Pay careful attention to the order in which gaskets and orifice are removed.
- 5- Support heat exchanger (to prevent it from falling when final screws are removed.)
- 6- Remove screws supporting heat exchanger.
- 7- To install heat exchanger, reverse procedure. Be sure to secure all wires and check plumbing and burner plate for airtight seal. Screws must be torqued to 35 in.-lbs. to ensure proper operation.

## 9-Flame Sensing

Flame current is an electrical current which passes from the ignition control through the sensor electrode during unit operation. The current passes from the sensor through the flame to the ground electrode (located on the flame electrode) to complete a safety circuit. The electrodes should be located so the tips are at least 1/2" (12.7 mm) inside the flame envelope. Do not bend electrodes. To measure flame current, follow the procedure on the following page:

*NOTE-Electrodes are not field adjustable. Any alterations to the electrode may create a hazardous condition that can cause property or personal injury.*

- 1- Disconnect power to unit.
- 2- Remove lead from sensing electrode and install a 0-50DC microamp meter in series between the sensing electrode and the sensing lead.
- 3- Reconnect power and adjust thermostat for heating demand.
- 4- When flame is established, compare reading to table 25. Do not bend electrodes.
- 5- Disconnect power to unit before disconnecting meter. Make sure sensor wire is securely reconnected before reconnecting power to unit.

TABLE 25

Manufacturer	Nominal Signal Microamps	Drop Out
JOHNSON	0.5 - 1.0	.09

*NOTE-If the meter scale reads 0, the leads are reversed. Disconnect power and reconnect leads for proper polarity.*

## 10-Combustion Air Inducer

The combustion air inducer is factory set and is not field adjustable. However, operation should be monitored to ensure proper operation. The combustion air inducer is used to draw fresh air into the combustion chamber while simultaneously expelling exhaust gases. The inducer operates throughout the heating cycle.

On a heating demand, the ignition control is energized by the A55 Unit Controller. The ignition control then allows 30 to 40 seconds for the combustion air inducer to vent exhaust gases from the burners. When the combustion air inducer is purging the exhaust gases, the combustion air prove switch is closing proving that the combustion air inducer is operating before allowing the ignition control to energize. When the combustion air prove switch is closed and the delay is over, the ignition control activates the first stage operator of the gas valve (low fire), the spark and the flame sensing electrode. Sparking stops immediately after flame is sensed.

## 11-High Altitude

Units may be installed at altitudes up to 2000 feet (610 m) above sea level without any modification. At altitudes above 2000 feet (610 m), units must be derated to match gas manifold pressures shown in table below.

NOTE — This is the only permissible derate for these units.

Altitude - ft. (m)	Natural Gas		LPG/Propane	
	in. w.g.	kPa	in. w.g.	kPa
2001 - 3000 (610 - 915)	3.6	0.90	10.2	2.54
3001 - 4000 (915 - 1220)	3.5	0.87	9.9	2.46
4001 - 5000 (1220 - 1525)	3.4	0.85	9.6	2.39
5001 - 6000 (1525 - 1830)	3.3	0.82	9.4	2.34
6001 - 7000 (1830 - 2135)	3.2	0.80	9.1	2.26

## B-Cooling System Service Checks

LGH units are factory charged and require no further adjustment; however, charge should be checked periodically. See section III- CHARGING.

## VI-MAINTENANCE

### A-Filters

LGH units use four 20 x 25 x 2" pleated throw-away type filters. Filters may be accessed through the economizer / filter access door. Filters should be checked monthly (or more frequently in severe use) and cleaned or replaced regularly. Take note of the "AIR FLOW DIRECTION" marking on the filter frame when re-installing.

*NOTE-Filters must be U.L.C. certified or equivalent for use in Canada.*

### B-Lubrication

All motors and blower wheels used in LGH units are pre-lubricated; no further lubrication is required.

### C-Supply Air Blower Wheel

Annually inspect supply air blower wheel for accumulated dirt or dust. Turn off power before attempting to remove access panel or to clean blower wheel.

## ! WARNING



**Electric shock hazard. Can cause injury or death. Before attempting to perform any service or maintenance, turn the electrical power to unit OFF at disconnect switch(es). Unit may have multiple power supplies.**

## D-Evaporator Coil

Inspect and clean coil at beginning of each season. Clean using mild detergent or commercial coil cleanser. Check condensate drain pan and line, if necessary. Flush coil and condensate drain with water taking care not to get insulation, filters and return air ducts wet. Check connecting lines and coil for evidence of oil and refrigerant leaks.

## E-Condenser Coil

Formed Coils -

Clean condenser coil annually with water and inspect monthly during the cooling season.

Clean the all-aluminum coil by spraying the coil steadily and uniformly from top to bottom. Do not exceed 900 psi or a 45° angle; nozzle must be at least 12 inches from the coil face. Take care not to fracture the braze between the fins and refrigerant tubes. Reduce pressure and work cautiously to prevent damage.

Slab Coils -

Clean condenser coil annually with detergent or commercial coil cleaner and inspect monthly during the cooling season. Check connecting lines and coil for evidence of oil and refrigerant leaks.

*NOTE-If owner complains of insufficient cooling, the unit should be gauged and refrigerant charge checked. Refer to Gauge Manifold Attachment and Charging sections in this manual.*

## F-Electrical

- 1- Check all wiring for loose connections.
- 2- Check for correct voltage at unit (unit operating).
- 3- Check amp-draw on both condenser fan motor and blower motor.  
Fan Motor Rating Plate \_\_\_\_ Actual \_\_\_\_\_  
Indoor Blower Motor Rating Plate \_\_\_\_ Actual \_\_\_\_\_
- 4- Check crankcase heater temperatures to ensure they are operating.
- 5- Check compressor sump thermistors to ensure they are making contact with compressor shell (ultra high efficiency units only).

## VII-ACCESSORIES

The accessories section describes the application of most of the optional accessories which can be factory or field installed to the LGH units.

### A-Mounting Frames

When installing units on a combustible surface for downflow discharge applications, a C1CURB roof mounting frame is used. The roof mounting frames are recommended in all other applications but not required. If the LGH units are not mounted on a flat (roof) surface, they MUST be supported under all edges and under the middle of the unit to prevent sagging. The units MUST be mounted level within 1/16" per linear foot or 5mm per meter in any direction.

The assembled C1CURB mounting frame is shown in figure 40. Refer to the roof mounting frame installation instructions for details of proper assembly and mounting. The roof mounting frame MUST be squared to the roof and level before mounting. Plenum system MUST be installed before the unit is set on the mounting frame. Typical roof curbing and flashing is shown in figure 41. Refer to the roof mounting frame installation instructions for proper plenum construction and attachment.

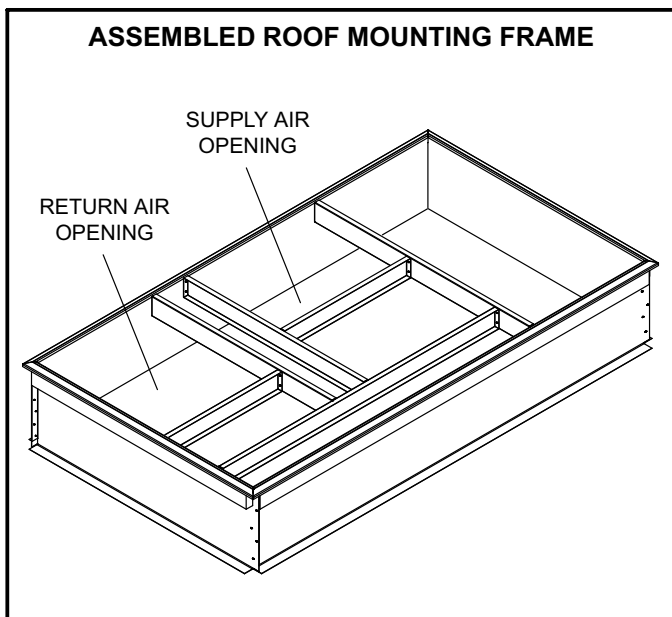


FIGURE 40

### B-LP / Propane Kit

Natural to LP /propane kit includes a spring kit and three stickers. In addition, the LP kit contains either six, nine, or eleven burner orifices. For more detail refer to the natural to LP gas changeover kit installation instructions.

### C-Dirty Filter Switch S27

The dirty filter switch senses static pressure increase indicating a dirty filter condition. The switch is N.O. and closes at 1" W.C. (248.6 Pa) The switch is mounted on the top filter channel corner. Wiring for the dirty filter switch is shown on the temperature control section (C2) wiring diagram in back of this manual.

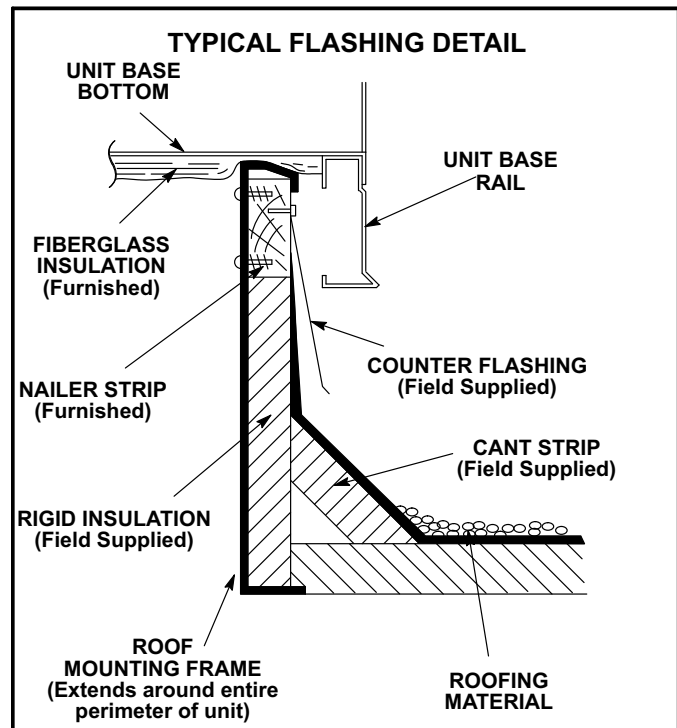


FIGURE 41

### D-Transitions

Optional supply/return transitions LASRT08/10 is available for use with the LGH 7.5 ton units and LASRT10/12 is available for the 8.5 and 10 ton units, utilizing optional C1CURB roof mounting frames. LGH 12.5 ton units will use LASRT15 with C1CURB roof mounting frame. Transition must be installed in the C1CURB mounting frame before mounting the unit to the frame. Refer to the manufacturer's instructions included with the transition for detailed installation procedures.

### E-LAOD(M) Outdoor Air Dampers (all units)

LAOD(M) consists of a set of dampers which may be manually or motor (M) operated to allow up to 25 percent outside air into the system at all times (see figure 42 or 43). Either air damper can be installed in LGH units. Washable filter supplied with the outdoor air dampers can be cleaned with water and a mild detergent. It should be sprayed with Filter Handicoater when dry prior to re-installation.

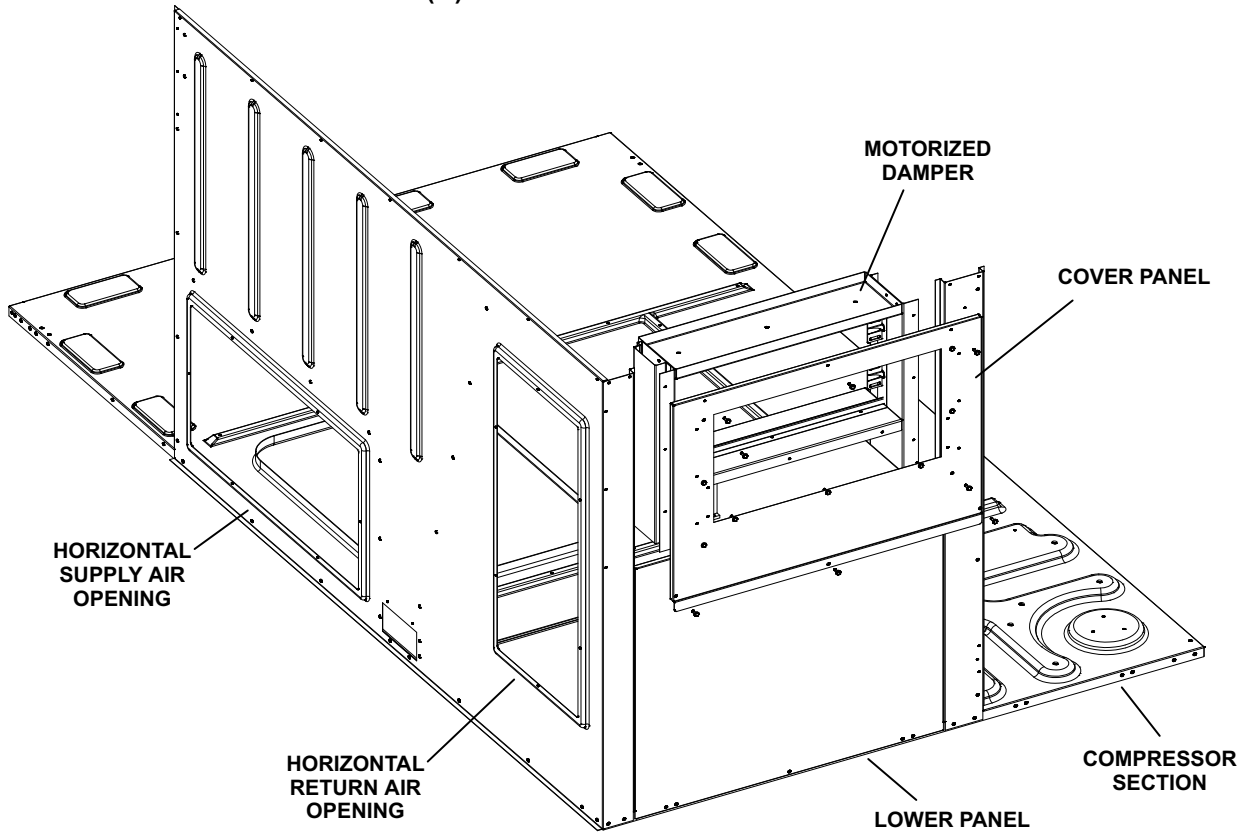
### F-Supply and Return Diffusers (all units)

Optional flush mount diffuser/return FD11 and extended mount diffuser/return RTD11 are available for use with all LGH units. Refer to manufacturer's instructions included with transition for detailed installation procedures.

### G-Blower Proving Switch S52

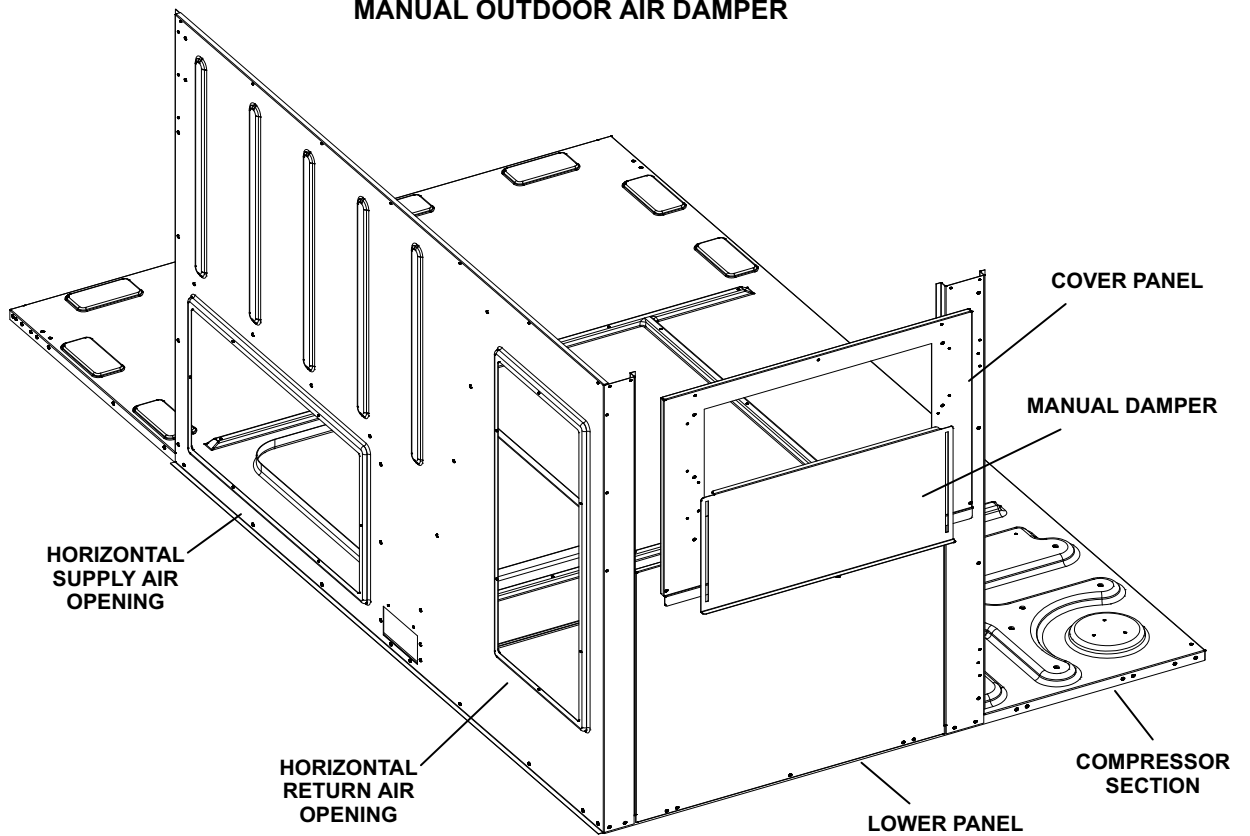
The blower proving switch monitors blower operation and locks out the unit in case of blower failure. The switch is N.O. and closes at .14" W.C. (34.9 Pa) The switch is mounted on the upper left hand corner of the blower deck. Wiring for the blower proving switch is shown on the temperature control section (C2) wiring diagram in back of this manual.

**LAOAD(M) MOTORIZED OUTDOOR AIR DAMPER**

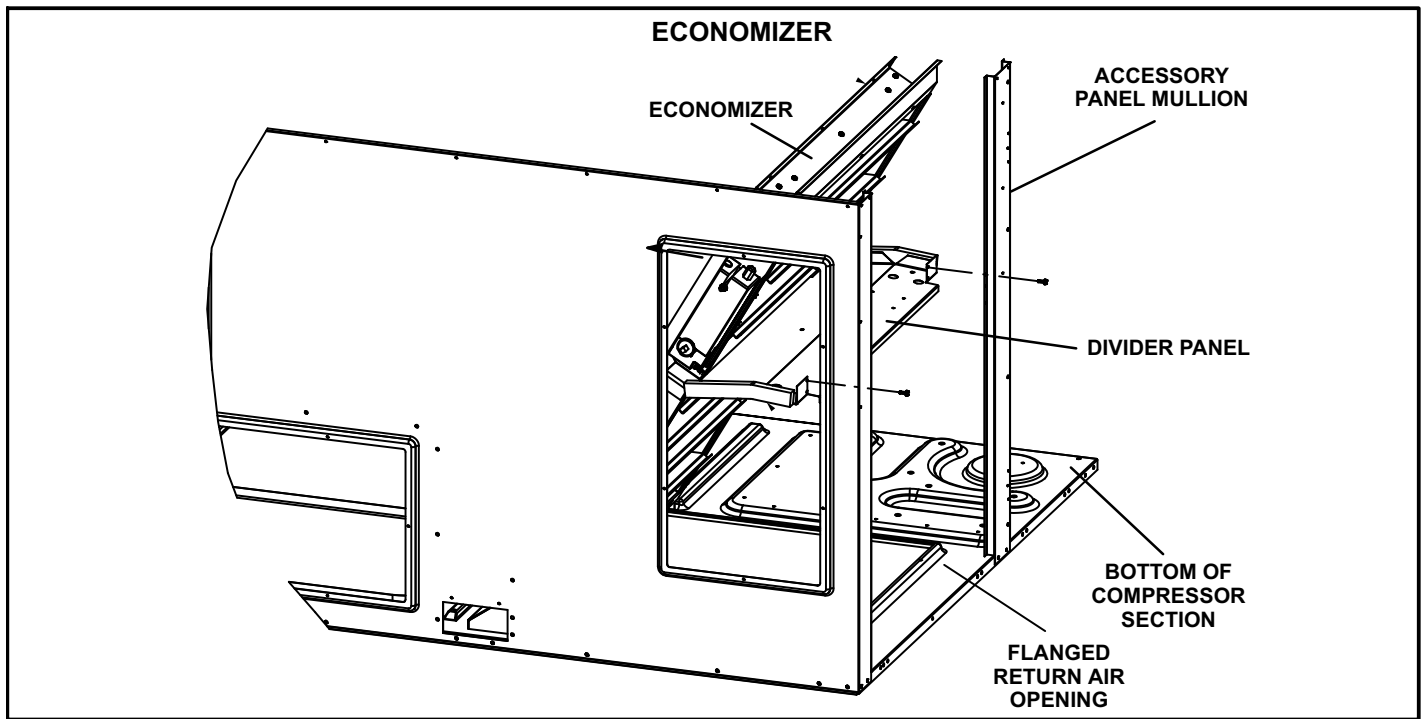


**FIGURE 42**

**MANUAL OUTDOOR AIR DAMPER**



**FIGURE 43**



**FIGURE 44**

**H-Economizer (all units)  
(Field or Factory Installed)**

The optional E1ECON15 economizer can be used with downflow and horizontal air discharge applications. See figure 44. The economizer uses outdoor air for free cooling when outdoor temperature and/or humidity is suitable. The economizer is controlled by the A55 Unit Controller.

**Free Cooling Mode**

The Unit Controller will allow free cooling in one of five modes. Each mode uses different combinations of sensors to determine outdoor air suitability. See table 26 for modes. See figure 45 for factory-installed sensors. Temperature offset is the default free cooling mode.

*NOTE - All free cooling modes of operation will modulate dampers to 55°F (13°C) supply / discharge air.*

**Unit Controller Settings**

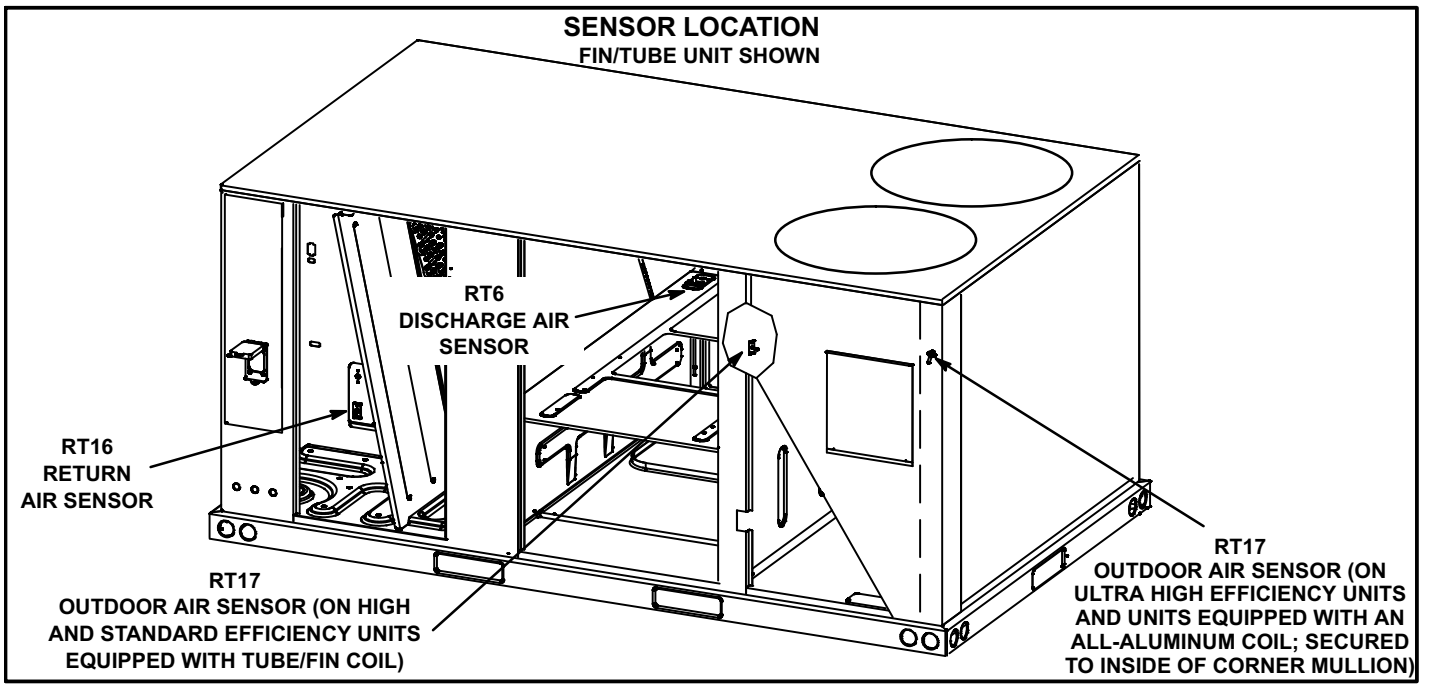
On early versions, switches are located on the Unit Controller to adjust settings. On newer versions, the display and keypad on the Unit Controller are used to navigate through menus to adjust settings. Some versions require a configuration ID be entered to enable the economizer. Refer to economizer installation instructions and Unit Controller installation and application manuals.

**TABLE 26  
ECONOMIZER MODES AND SETPOINT**

Free Cooling Mode	Free Cooling Setpoint	Field-Provided Sensors	Dampers will modulate to 55°F (default, parameter 159) discharge air (RT6) when outdoor air is suitable:	Input Ranges
TEMP	OFFSET	None Needed	Outdoor air temperature (RT17) is less than return air temperature (RT16) by at least the OFFSET value (10°F default; parameter 161).	0-40°F
TEMP	OAT STPT	None Needed	Outdoor air temperature (RT17) is less than the OAT STPT value (75°F default; parameter 160).	41-75°F
Remote	Remote	Energy Management System**	Either of the TEMP modes can be used when a network OAS signal is provided by an energy management or building control system, via BACnet, LonTalk, or L Connection. The network can command OAS, NOT OAS, or AUTO. AUTO returns to local control of OAS, which is the selected TEMP mode.	NA
ENTH	DIFF OFFSET	(Two) C7400	Outdoor air enthalpy* (A7) is less than return air enthalpy (A62) by at least the OFFSET value (1mA = 2°F default; parameter 163).	0mA-4mA
ENTH	ODE STPT	C7400	Outdoor air enthalpy (A7) is less than free cooling setpoint (12mA = 75°F default, parameter 162).	12-19mA
GLOBAL	GLOBAL	24VAC Input Signal	Global input is energized by (P297-9). This setting is also used for outdoor air damper applications. Global input also brings on the blower. (This mode is NOT used when OAS signal is provided via network connection. GLO is only used when a 24VAC signal is used to energize the P297-9 GLO input.)	NA

\*Enthalpy includes effects of both temperature and humidity.

\*\*Energy management systems may require additional field-provided sensors; refer to manufacturer's instructions.

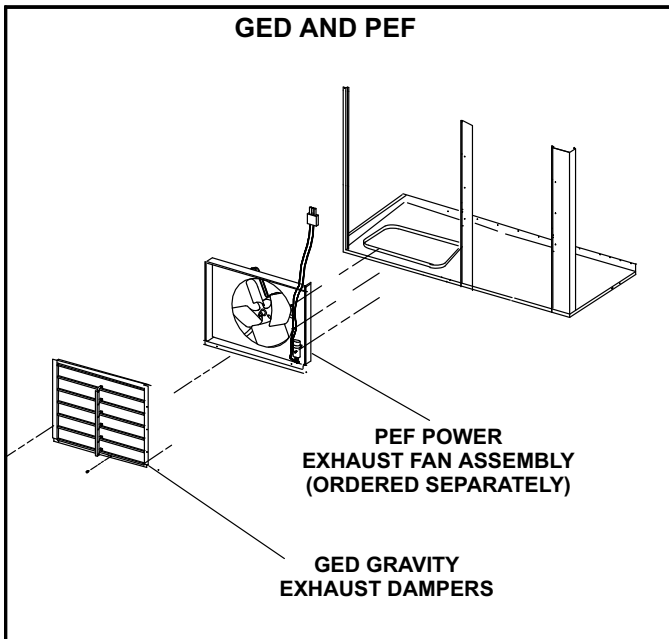


**FIGURE 45**

**I-Gravity Exhaust Dampers**

LAGEDH03/15 dampers (figure 46) are used in downflow and horizontal air discharge applications. Horizontal gravity exhaust dampers are installed in the return air plenum. The dampers must be used any time an economizer or power exhaust fans are applied to LGH units.

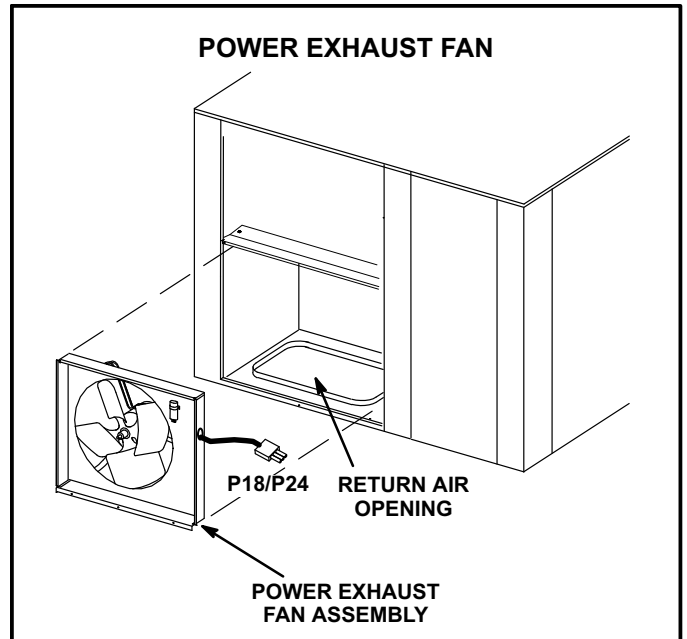
Gravity exhaust dampers allow exhaust air to be discharged from the system when an economizer and/or power exhaust is operating. Gravity exhaust dampers also prevent outdoor air infiltration during unit off cycle. See installation instructions for more detail.



**FIGURE 46**

**J-LAPEF Power Exhaust Fans**

Power exhaust fans are used in downflow applications only. Fan requires optional down flow gravity exhaust dampers and LAREMD economizer. Power exhaust fans provide exhaust air pressure relief and also run when return air dampers are closed and supply air blowers are operating. Figure 47 shows the location of the LAPEF. See installation instructions for more detail.



**FIGURE 47**

## **K-Optional Cold Weather Kit (Canada only)**

Electric heater is available to automatically control the minimum temperature in the gas burner compartment. Heater is C.G.A. certified to allow cold weather operation of unit down to -60° F (-50° C ).

The kit includes the following parts:

- 1- A heater assembly is installed on the vestibule of the heating compartment. Included in the box are the following:
  - a - Electric strip heat (HR6).
  - b - Thermostat switch (S59) is an auto-reset SPST N.C. switch which opens on a temperature drop. The switch is wired in series with 24v power and the combustion air blower switch. When the temperature drops below -30° F (-35° C) the switch opens and the gas heat section is de-energized. The switch automatically resets when the heating compartment temperature reaches -10° F (-12° C).
  - c - Thermostat switch (S60) is an auto-reset SPST N.C. switch which opens on a temperature rise. The switch is wired in series with HR6. When the temperature rises above 20° F (-7° C) the switch opens and the electric heater is de-energized. The switch automatically resets when the heating compartment temperature reaches -10° F (23.3° C).
  - d -Thermostat switch (S61) is an auto-reset SPST N.O. switch which closes on a temperature drop. The switch is wired in series with HR6. When temperature drops below 20° F (-7° C) the switch closes and electric heater is energized. The switch automatically opens when heating compartment temperature reaches 76° F (24° C).
- 2- K125 heat shutoff relay de-energizes HR6 heaters when S60 or S61 thermostat switches open. K125 must be installed in the control section.
- 3- Wire harness is routed between the heat section components and the unit control box. Follow instructions provided with kit for wire connections.

## **L-Control Systems**

The A55 Unit Controller provides all control function for the rooftop unit. Default operation requires a standard room thermostat or direct digital controller (DDC). The A55 can also control the unit from a zone temperature sensor. The A55 Unit Controller is a network controller when daisy-chained to the L Connection® Network Control System. For ease of configuration, the A55 can be connected to a PC with Unit Controller PC software installed.

### **M-Indoor Air Quality (CO<sub>2</sub>) Sensor A63**

The indoor air quality sensor monitors CO<sub>2</sub> levels and reports the levels to the A55 Unit Controller. The board adjusts the economizer dampers according to the CO<sub>2</sub> levels. The sensor is mounted next to the indoor thermostat or in the return air duct. Refer to the indoor air quality sensor installation instructions for proper adjustment. Wiring for the indoor air quality switch is shown on the temperature control section (C2) wiring diagram in back of this manual.

### **N-Drain Pan Overflow Switch S149 (optional)**

The overflow switch is used to interrupt cooling operation when excessive condensate collects in the drain pan.

The N.C. overflow switch is connected to the M2 Unit Controller (A55) through DI-3. When the switch opens, the Unit Controller will shut off the unit. After a five-minute time out, the Unit Controller will verify the overflow switch position and restart the unit (if the switch has closed). The Unit Controller has a three-strike counter before the unit locks out. This means the Unit Controller will allow the overflow switch to open three times per thermostat demand. If the unit locks out, a reset of the Unit Controller is required after the switch has closed to restore unit operation.

### **O-Smoke Detectors A17 and A64**

Photoelectric smoke detectors are a factory installed option. The smoke detectors can be installed in the supply air section (A64), return air section (A17), or in both the supply and return air section. Wiring for the smoke detectors are shown on the temperature control section (C2) wiring diagram in back of this manual.



# P-Factory Installed-Hot Gas Reheat (optional)

## General

Hot Gas Reheat units provide a dehumidifying mode of operation. These units contain a reheat coil adjacent to and downstream of the evaporator coil. Reheat coil solenoid

valve, L14, routes hot discharge gas from the compressor to the reheat coil. Return air pulled across the evaporator coil is cooled and dehumidified; the reheat coil adds heat to supply air. See figure 48 for reheat refrigerant routing and figure 49 for standard cooling refrigerant routing.

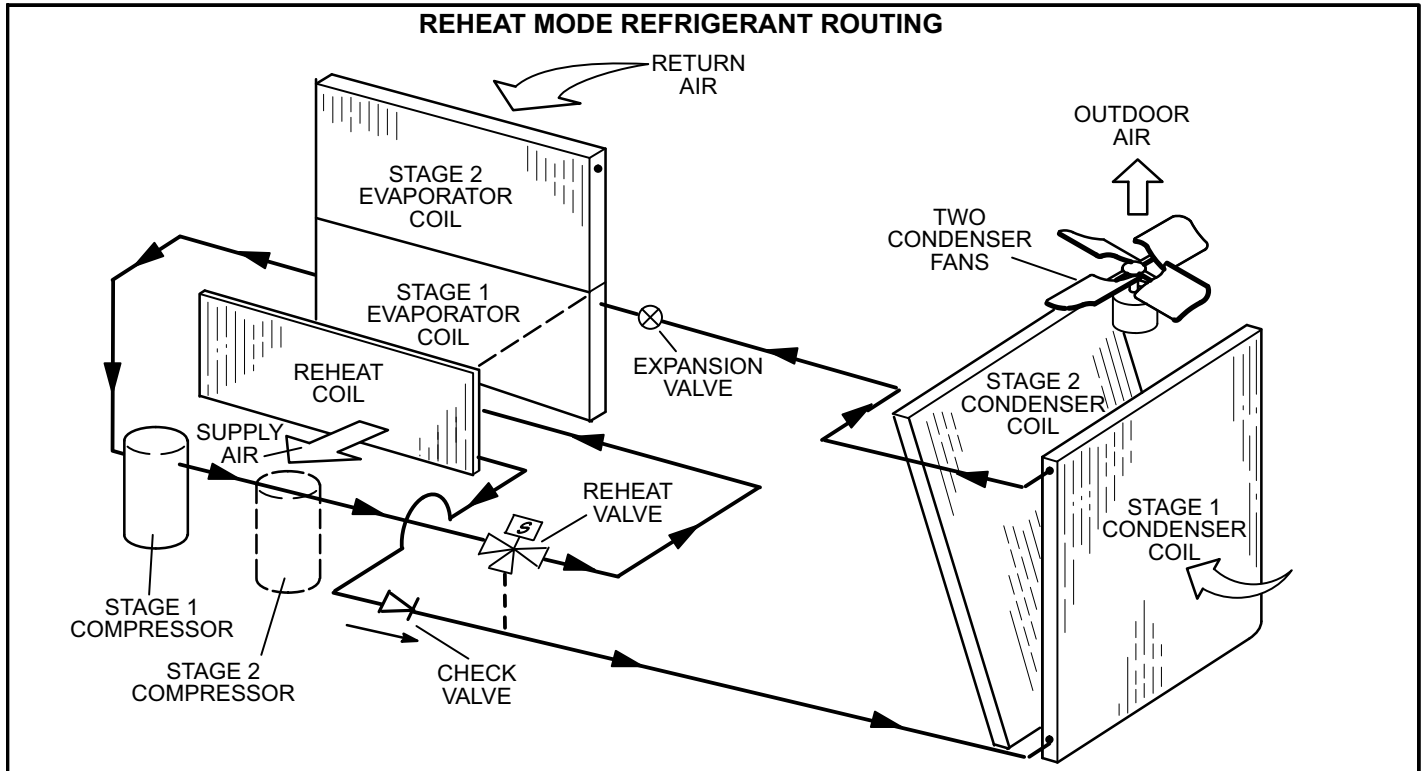


FIGURE 48

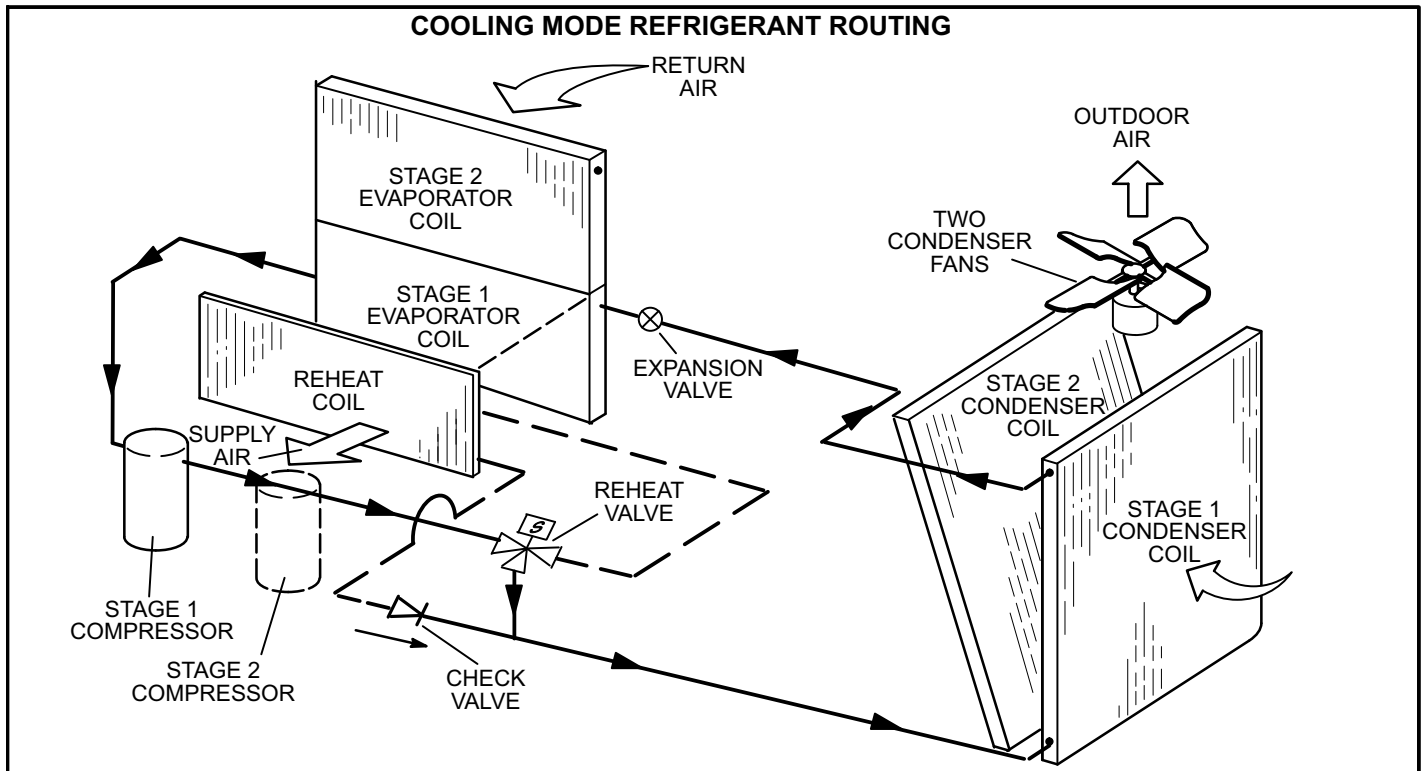


FIGURE 49

## L14 Reheat Coil Solenoid Valve

When Unit Controller input (Unit Controller J298-5 or J299-8) indicates room conditions require dehumidification, L14 reheat valve is energized (Unit Controller P269-3) and refrigerant is routed to the reheat coil.

### Reheat Setpoint

Reheat is factory-set to energize when indoor relative humidity rises above 60% (default). The reheat setpoint can be adjusted by changing Unit Controller *Settings - Control* menu. A setting of 100% will operate reheat from an energy management system digital output. The reheat setpoint can also be adjusted using an optional Network Control Panel (NCP).

Reheat will terminate when the indoor relative humidity falls 3% (57% default) or the digital output de-energizes. The reheat deadband can be adjusted at *Settings - Control* menu.

### Check-Out

Test Hot Gas Reheat operation using the following procedure.

- 1- Make sure reheat is wired as shown in wiring section.
- 2- Make sure unit is in local thermostat mode.
- 3- Select Unit Controller *Service - Test*.

*The blower and compressor 1 (reheat) should be operating. Reheat mode will be appear on the Unit Controller display.*

- 4- Deselect Unit Controller *Service - Test*.

*Compressor 1 (reheat) and blower should de-energize.*

### Default Reheat Operation

**TABLE 27**

#### Reheat Operation - Two Cooling Stages - Default

T'stat and Humidity Demands	Operation
Reheat Only	Compressor 1 Reheat
Reheat & Y1	Compressor 1 Reheat & Compressor 2 Cooling*
Reheat & Y1 & Y2	Compressor 1 Cooling & Compressor 2 Cooling**

\*If there is no reheat demand and outdoor air is suitable, free cooling will operate.

\*\*If there is no reheat demand and outdoor air is suitable, free cooling and compressor 1 will operate.

### VIII-Belt Drive Supply Air Inverter

The supply air inverter or variable frequency drive (VFD), is located in the compressor compartment. The VFD stages the amount of supply airflow according to the number of compressors operating.

The amount of airflow for each stage is set in the Unit Controller when the unit is initially commissioned. Each value is recorded on a label on the inside of the compressor access panel. Settings can also be read on the Unit Controller display. Use one of the following menus.

M2 Unit Controllers:

*Data > Status > Blower*

M3 Unit Controllers:

DATA > ADVANCED STATUS > BLOWER > BLOWER STATUS

Use figure 50 to determine whether the VFD should be providing a staged output to the blower motor.

**⚠ WARNING**

**ELECTRICAL SHOCK HAZARD.**

**Failure to follow instructions exactly could result in serious injury or death.**

**VFD HOLDS A POTENTIALLY LETHAL CHARGE UP TO 10 MINUTES AFTER POWER HAS BEEN DISCONNECTED. Do not open VFD cover until 10 minutes AFTER power source has been disconnected and power lamp has turned off.**

**Read manual provided by VFD manufacturer. Carefully review and follow all safety warnings in that manual also.**

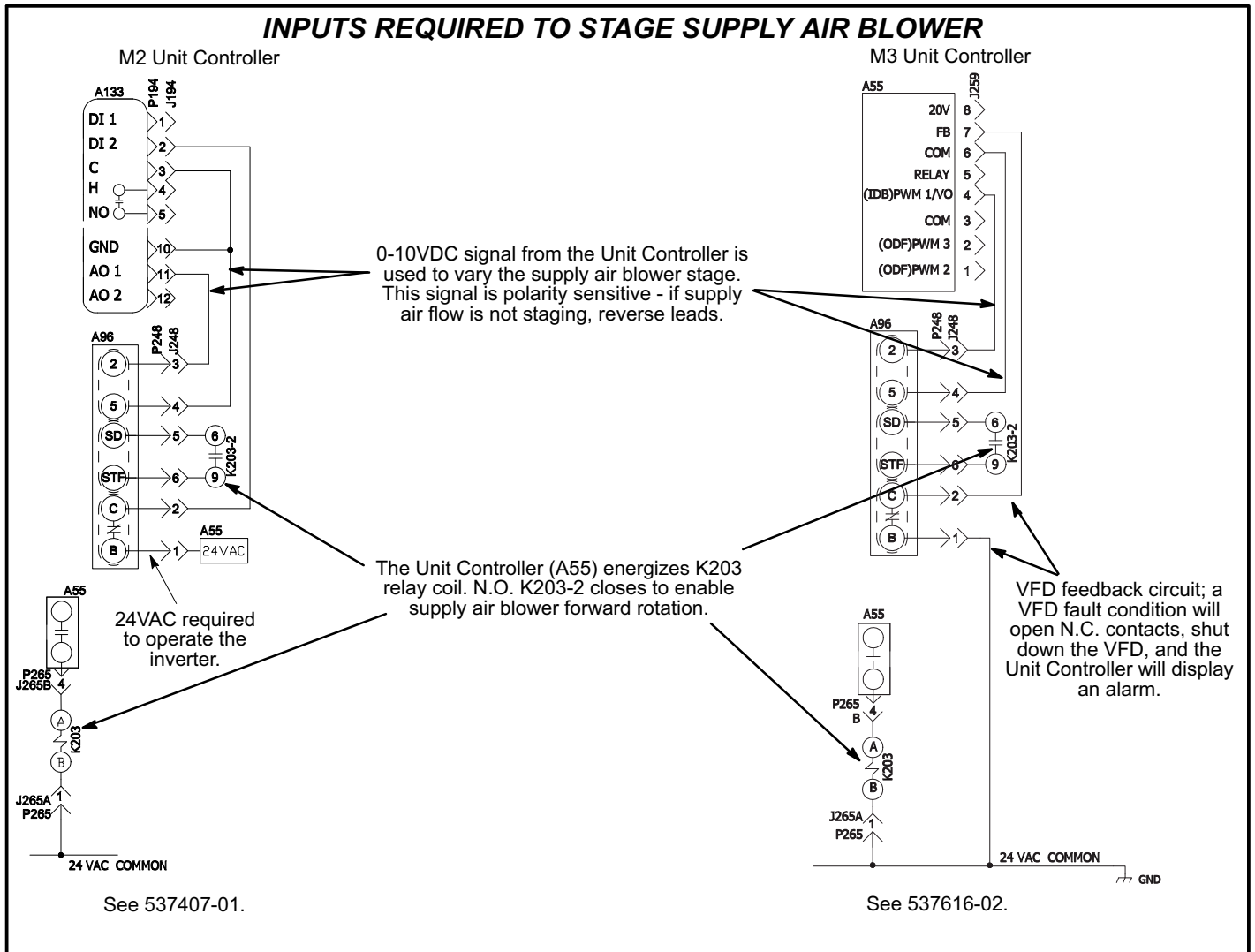


FIGURE 50

## ADJUST CFM

If a test and balance contractor has not commissioned the unit, use this section to set supply air CFM.

### A-Design Specifications

Use table 28 to fill in field-provided, design specified blower CFM.

### B-Set Maximum CFM

Use table 28 to determine highest blower CFM for appropriate unit. Adjust the blower pulley to deliver that amount of CFM with only the blower operating. See section 1-UNIT COMPONENTS; C-Blower Compartment; *Determining Unit CFM*.

**TABLE 28**  
**Blower CFM Design Specifications**

Blower Speed	Design Specified CFM
Heating	
Cooling High	
Cooling Low	
Ventilation	

### C-Enter Design Specifications Into Controller

Use the following menu to enter the blower design specified CFM into the Unit Controller. Make sure blower CFM is within limitations shown in table 29. Refer to the Unit Controller manual provided with unit.

M2 Unit Controller -

*Settings > Control > Guided Setup > Advanced Guided Setup > Setup Equipment > Change MSAV™ Settings? > Yes*

M3 Unit Controller -

*SETUP > TEST & BALANCE > BLOWER >*

### D-Set Damper Minimum Position

To maintain required minimum ventilation air volumes when the unit is in the occupied mode, two minimum damper positions must be set. The Unit Controller will open the dampers to “Min OCP Blwr Low” when blower CFM is BELOW a “midpoint” CFM. The Unit Controller will open the damper to “Min OCP Blwr High” when blower CFM is at or ABOVE the “midpoint” CFM.

The Unit Controller will calculate the “midpoint” CFM.

#### Set Minimum Position 1

Use the following menu in the Unit Controller to set “Min OCP Blwr Low” for the blower CFM below the “midpoint” CFM. When navigating into this menu, the Unit Controller will bring on the corresponding blower speed and allow damper position adjustment.

M2 Unit Controller -

*Settings > Control > MSAV > Damper > Low Speed*

M3 Unit Controller -

*SETTINGS > RTU Options > EDIT PARAMETER > ENTER DATA ID - 9 > MIN DAMPER LOW BLOWER = X.X %*

Measure the intake air CFM. If the CFM is lower than the design specified CFM for ventilation air, use the Unit Controller to increase the damper percent open. If the CFM is higher than specified, decrease the damper percent open.

*Note - Intake air CFM can also be determined using the outdoor air temperature, return air temperature and mixed air temperature. Refer to the economizer or outdoor air damper installation instructions.*

#### Set Minimum Position 2

Use the same menu in the Unit Controller to set “Min OCP Blwr High” for the blower CFM above the “midpoint” CFM. When navigating into this menu, the Unit Controller will bring on the corresponding blower speed and allow damper position adjustment.

M2 Unit Controller -

*Settings > Control > MSAV > Damper > High Speed*

M3 Unit Controller -

*SETTINGS > RTU OPTIONS > DAMPER > MIN DAMPER POSITION BLOWER ON HIGH = X.X %*

Measure the intake air CFM. If the CFM is lower than the design specified CFM for ventilation air, use the Unit Controller to increase the damper percent open. If the CFM is higher than specified, decrease the damper percent open.

*Note - Intake air CFM can also be determined using the outdoor air temperature, return air temperature and mixed air temperature. Refer to the economizer or outdoor air damper installation instructions.*

### E-VFD Bypass Option

The supply air VFD is factory-set to by-pass the VFD manually. To by-pass the VFD and operate the blower in the constant air volume mode, use the following Unit Controller menu and set to “engaged”:

M2 Unit Controller -

*Settings > Control > MSAV > VFD Bypass >*

M3 Unit Controller -

*SETTINGS>RTU OPTIONS>BLOWER>VFD BYPASS*

To configure the unit to by-pass the VFD automatically, use the following Unit Controller menu and set to “automatic”:

M2 Unit Controller -

*Settings > Install > New M2 > MSAV VFD Bypass >*

M3 Unit Controller -

*SETUP > INSTALL > PRESS SAVE UNTIL THE MENU READS CONFIGURATION ID 1 > CHANGE CHARACTER POSITION 6<sup>TH</sup> TO “A” FOR AUTOMATIC BYPASS OPTION AND SAVE*

*Caution - Units not equipped with a VFD will be set to Settings > Control > MSAV VFD Bypass > None. The blower motor could be damaged and/or result in product or property damage if the setting is changed to automatic or manual.*

**TABLE 29  
MINIMUM AND MAXIMUM CFM  
092H, 102H, 120H, 150H**

<b>Gas Heat Minimum CFM</b>		
Unit	Gas Heat Size	Airflow CFM
LGH092-150	Std. , Med.	2225
LGH092-150	High	2550
<b>Electric Heat Minimum CFM</b>		
Unit	Heat Size (kW)	Airflow CFM
LCH092-102	0	2800
LCH092-150	7.5, 15, 22.5, 30, 45	2800
LCH120-150	0, 60	4000
<b>Cooling Minimum CFM - 220* CFM/ton</b>		
Unit	Blower Speed	Airflow CFM
LGH/LCH092	Low	1650
LGH/LCH102	Low	1870
LGH/LCH120	Low	2200
LGH/LCH150	Low	2750
<b>Cooling Minimum CFM - 280* CFM/ton</b>		
Unit	Blower Speed	Airflow CFM
LGH/LCH092	High	2100
LGH/LCH102	High	2380
LGH/LCH120	High	2800
LGH/LCH150	High	3500
<b>Smoke and Ventilation Minimum CFM - 150 CFM/ton</b>		
Unit	Not Applicable	Airflow CFM
LGH/LCH092	NA	1125
LGH/LCH102	NA	1275
LGH/LCH120	NA	1500
LGH/LCH150	NA	1875
<b>Heating and Cooling Maximum CFM - 480 CFM/ton</b>		
Unit	Blower Speed	Airflow CFM
LGH/LCH092	High	3600
LGH/LCH102	High	4080
LGH/LCH120	High	4800
LGH/LCH150	High	6000

*\*Refer to table 31 for ultra high efficiency unit minimum CFM / ton. Ultra high efficiency units are equipped with tandem compressors which allow lower minimum airflow.*

## IX-Direct Drive Supply Air Inverter

If a test and balance contractor has not commissioned the unit, use this section to set supply air CFM.

### A-Set Blower Speed

- 1- Use table 30 to fill in field-provided, design specified blower CFM.

**TABLE 30**  
**Blower CFM Design Specifications**

Blower Speed	Design Specified CFM
Heating	
Cooling High	
Cooling Low	
Ventilation	

- 2- Use the following menu to enter the blower design specified CFM into the Unit Controller. **Don't press "SAVE" until all CFM are entered.** Make sure blower CFM is within limitations shown in table 31. Refer to the Unit Controller manual provided with unit.

SETUP > TEST & BALANCE > BLOWER

- 3- Once all four speeds are entered, the target (highest of the heating and cooling settings) CFM and default RPM will be displayed.

*Note - When units are not equipped with heat, the Blower Heat speed will not be displayed. Blower Cooling High will be the first blower speed to appear.*

- 4- Measure the static pressure as shown in the *Blower Start-Up* section. Use the static pressure, target CFM and blower tables to determine the RPM needed. Values in the blower table reflect the static pressures taken in locations shown in figure 19.
- 5- Enter the RPM and repeat the previous step until the design CFM is reached.
- 6- Press SAVE followed by MAIN MENU.

*Note - Once the CFM settings are saved, the Unit Controller will set all other blower CFM.*

### B-Set Damper Minimum Position

To maintain required minimum ventilation air volumes when the unit is in the occupied mode, two minimum damper positions must be set. The Unit Controller will open the dampers to "Min OCP Blwr Low" when blower CFM is BELOW a "midpoint" CFM. The Unit Controller will open the damper to "Min OCP Blwr High" when blower CFM is at or ABOVE the "midpoint" CFM.

The Unit Controller will calculate the "midpoint" CFM.

#### Set Minimum Position 1

Use the following menu in the Unit Controller to set "Min OCP Blwr Low" for the blower CFM below the "midpoint" CFM. When navigating into this menu, the Unit Controller will bring on the corresponding blower speed and allow damper position adjustment.

SETTINGS > RTU Options > EDIT PARAMETER > ENTER  
DATA ID - 9 > MIN DAMPER LOW BLOWER = X.X %

Measure the intake air CFM. If the CFM is lower than the design specified CFM for ventilation air, use the Unit Controller to increase the damper percent open. If the CFM is higher than specified, decrease the damper percent open.

*Note - Intake air CFM can also be determined using the outdoor air temperature, return air temperature and mixed air temperature. Refer to the economizer or outdoor air damper installation instructions.*

#### Set Minimum Position 2

Use the same menu in the Unit Controller to set "Min OCP Blwr High" for the blower CFM above the "midpoint" CFM. When navigating into this menu, the Unit Controller will bring on the corresponding blower speed and allow damper position adjustment.

SETTINGS > RTU OPTIONS > DAMPER > MIN  
DAMPER POSITION BLOWER ON HIGH = X.X %

Measure the intake air CFM. If the CFM is lower than the design specified CFM for ventilation air, use the Unit Controller to increase the damper percent open. If the CFM is higher than specified, decrease the damper percent open.

*Note - Intake air CFM can also be determined using the outdoor air temperature, return air temperature and mixed air temperature. Refer to the economizer or outdoor air damper installation instructions.*

**TABLE 31  
MINIMUM AND MAXIMUM CFM  
094U4E, 122U4E, 152U4E**

<b>Gas Heat Minimum CFM</b>		
Unit	Gas Heat Size	Airflow CFM*
LGH094-152	Std. , Med.	2225
LGH094-152	High	2550
<b>Electric Heat Minimum CFM</b>		
Unit	Heat Size (kW)	Airflow CFM
LCH094	7.5	1750
LCH094	0, 15, 22.5, 30, 45	2750
LCH122, 152	15, 22.5, 30, 45	2750
LCH122, 152	0, 60	3500
<b>Cooling Low Minimum CFM - 160 CFM/ton</b>		
Unit	Blower Speed	Airflow CFM
LGH/LCH094	Low	1200
LGH/LCH122	Low	1600
LGH/LCH152	Low	2000
<b>Cooling High Minimum CFM - 220 CFM/ton</b>		
Unit	Blower Speed	Airflow CFM
LGH/LCH094	High	1650
LGH/LCH122	High	2200
LGH/LCH152	High	2750
<b>Smoke and Ventilation Minimum CFM - 150 CFM/ton</b>		
Unit	Not Applicable	Airflow CFM
LGH/LCH094	NA	1125
LGH/LCH122	NA	1500
LGH/LCH152	NA	1875
<b>Heating and Cooling Maximum CFM - 480 CFM/ton</b>		
Unit	Blower Speed	Airflow CFM
LGH/LCH094	High	3600
LGH/LCH122	High	4800
LGH/LCH152	High	6000

\*Rounded to nearest 25 CFM.

## X-Staged Supply Air Operation

This is a summary of cooling operation for both belt and direct drive blowers.

*Note - During a dehumidification demand the blower operates at the highest speed. Free cooling is locked-out during reheat operation. Refer to Hot Gas Reheat start-up and operation section for details.*

### A-Two-Stage Thermostat

#### 1-Economizer With Outdoor Air Suitable

Y1 Demand -

Compressors Off  
Blower Cooling Low  
Dampers modulate

Y2 Demand -

Compressors Off  
Blower Cooling High  
Dampers Modulate

*Note - If dampers are at maximum open for three minutes, compressor 1 is energized and blower stays on cooling high.*

#### 2-No Economizer or Outdoor Air Not Suitable

Y1 Demand -

Compressor 1 On (on ultra high efficiency units, one compressor will operate)  
Blower Cooling Low  
Dampers Minimum Position

Y2 Demand -

Compressor 1 and 2 On  
Blower Cooling High  
Dampers Minimum Position

### B-Three-Stage Thermostat OR Zone Sensor

#### 1-Economizer With Outdoor Air Suitable

Y1 Demand -

Compressors Off  
Blower Cooling Low  
Dampers modulate

Y2 Demand -

Compressors Off  
Blower Cooling High  
Dampers Modulate

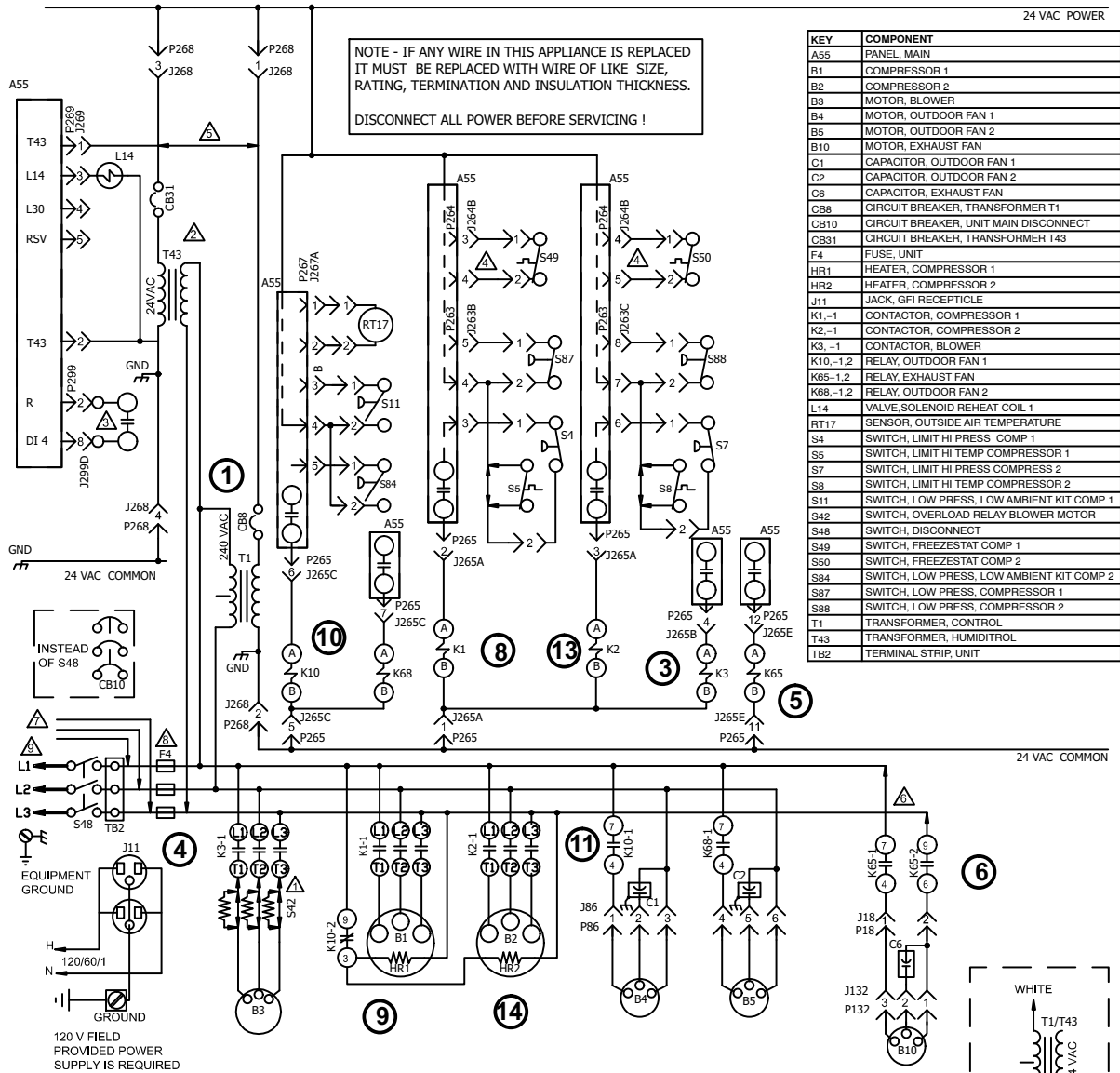
*Note - If dampers are at maximum open for three minutes, compressor 1 is energized and blower stays on cooling high.*

Y3 Demand -

Compressors 1 and 2 On  
Blower Cooling High  
Dampers Maximum Open

# XI-Wiring Diagrams and Sequence of Operation

## LGH092/102/120H - CONSTANT SUPPLY AIR, BELT DRIVE BLOWER



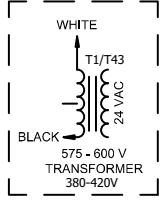
NOTE - IF ANY WIRE IN THIS APPLIANCE IS REPLACED IT MUST BE REPLACED WITH WIRE OF LIKE SIZE, RATING, TERMINATION AND INSULATION THICKNESS.  
DISCONNECT ALL POWER BEFORE SERVICING !

KEY	COMPONENT
A55	PANEL, MAIN
B1	COMPRESSOR 1
B2	COMPRESSOR 2
B3	MOTOR, BLOWER
B4	MOTOR, OUTDOOR FAN 1
B5	MOTOR, OUTDOOR FAN 2
B10	MOTOR, EXHAUST FAN
C1	CAPACITOR, OUTDOOR FAN 1
C2	CAPACITOR, OUTDOOR FAN 2
C6	CAPACITOR, EXHAUST FAN
CB8	CIRCUIT BREAKER, TRANSFORMER T1
CB10	CIRCUIT BREAKER, UNIT MAIN DISCONNECT
CB31	CIRCUIT BREAKER, TRANSFORMER T43
F4	FUSE, UNIT
HR1	HEATER, COMPRESSOR 1
HR2	HEATER, COMPRESSOR 2
J11	JACK, GFI RECEPTACLE
K1,-1	CONTACTOR, COMPRESSOR 1
K2,-1	CONTACTOR, COMPRESSOR 2
K3,-1	CONTACTOR, BLOWER
K10,-1,2	RELAY, OUTDOOR FAN 1
K65,-1,2	RELAY, EXHAUST FAN
K68,-1,2	RELAY, OUTDOOR FAN 2
L14	VALVE, SOLENOID REHEAT COIL 1
RT17	SENSOR, OUTSIDE AIR TEMPERATURE
S4	SWITCH, LIMIT HI PRESS COMP 1
S5	SWITCH, LIMIT HI TEMP COMPRESSOR 1
S7	SWITCH, LIMIT HI PRESS COMPRESSOR 2
S8	SWITCH, LIMIT HI TEMP COMPRESSOR 2
S11	SWITCH, LOW PRESS, LOW AMBIENT KIT COMP 1
S42	SWITCH, OVERLOAD RELAY BLOWER MOTOR
S48	SWITCH, DISCONNECT
S49	SWITCH, FREEZESTAT COMP 1
S50	SWITCH, FREEZESTAT COMP 2
S84	SWITCH, LOW PRESS, LOW AMBIENT KIT COMP 2
S87	SWITCH, LOW PRESS, COMPRESSOR 1
S88	SWITCH, LOW PRESS, COMPRESSOR 2
T1	TRANSFORMER, CONTROL
T43	TRANSFORMER, HUMIDITROL
TB2	TERMINAL STRIP, UNIT

- ⚠ S42 USED ON "M" VOLTAGE UNITS AND UNITS WITH HIGH EFFICIENCY MOTORS
- ⚠ ONLY IN UNITS WITH HUMIDITROL OR PHASE AND VOLTAGE DETECTION OPTION
- ⚠ EXTERNAL HUMIDITROL CONTACTS
- ⚠ S49 AND S50 ARE PART OF 5VDC CIRCUIT
- ⚠ J268-1,-3 AND J268-2,-4 ARE CONNECTED ON UNITS WITHOUT HUMIDITROL OR PHASE DETECTION OPTIONS
- ⚠ B10 IS NOT USED ON UNITS WITH ERV
- ⚠ USED ON UNITS WITH ERV SINGLE POINT POWER. SEE ERV DIAGRAM
- ⚠ USED ON LCH AND UNITS WITH ERV SINGLE POINT POWER ONLY
- ⚠ NOTE: FOR USE WITH COPPER CONDUCTORS ONLY. REFER TO UNIT RATING PLATE FOR MINIMUM CIRCUIT AMPACITY AND MAXIMUM OVERCURRENT PROTECTION SIZE.

J/P	JACK/PLUG DESCRIPTION
18	EXHAUST FAN
86	OUTDOOR FAN INTERFACE
132	EXHAUST FAN MOTOR
263	HIGH AND LOW PRESSURE SWITCHES
264	BLOWER DECK
265	CONTACTORS AND RELAYS
267	OUTDOOR FAN AREA
268	TRANSFORMER T1 POWER
269	HUMIDITROL CONTROL
299	HUMIDITROL SAFETY INTERFACE

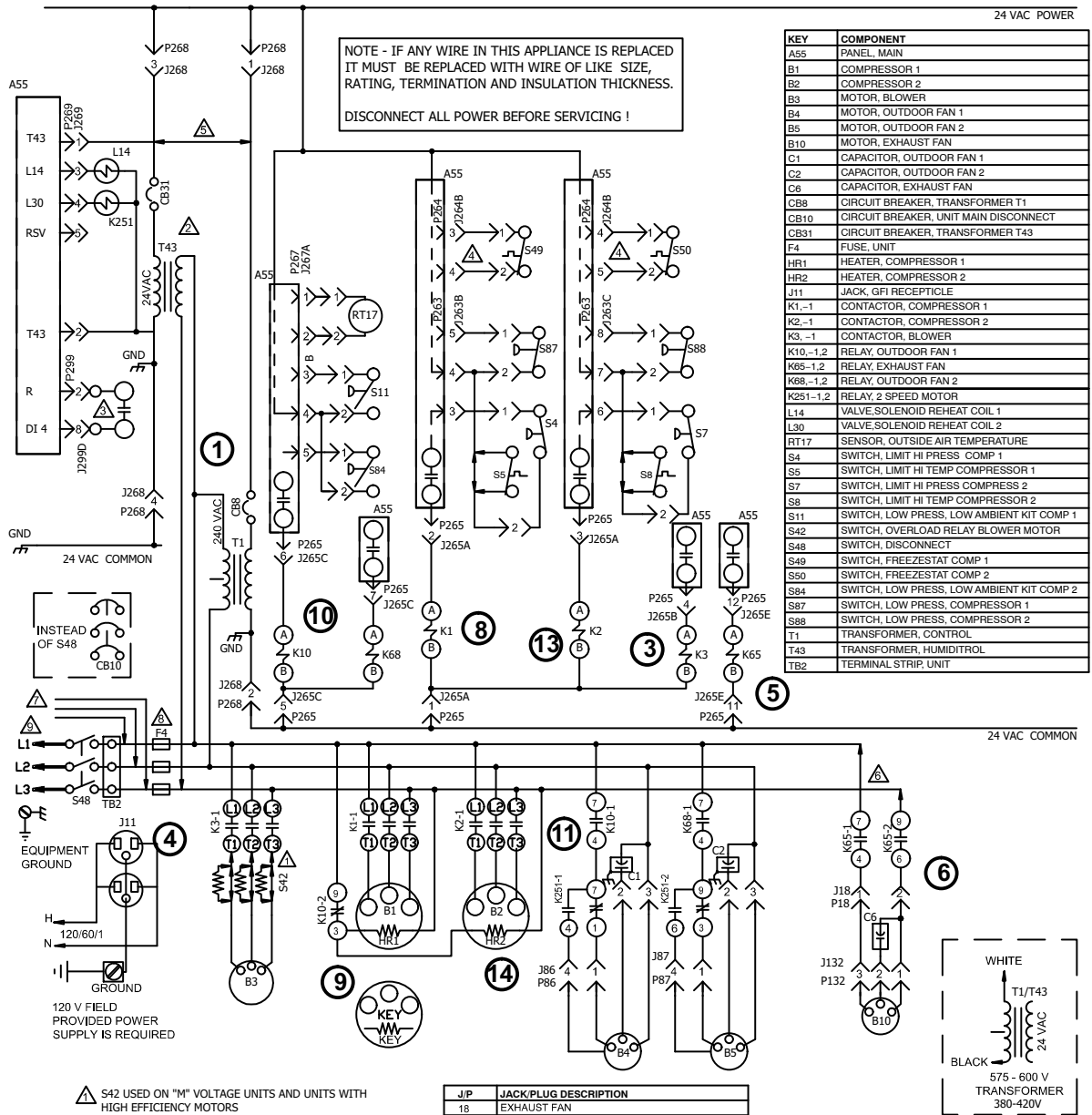
← DENOTES OPTIONAL COMPONENTS  
 → LINE VOLTAGE FIELD INSTALLED



WIRING DIAGRAM		09/17
COOLING		
LCH/LGH - 092H, 102H, 120H - G, J, M, Y		
SECTION B		REV. 1
Supersedes	537625-01	New Form No. 537625-02



# LGH150H - Y - CONSTANT SUPPLY AIR, BELT DRIVE BLOWER



NOTE - IF ANY WIRE IN THIS APPLIANCE IS REPLACED IT MUST BE REPLACED WITH WIRE OF LIKE SIZE, RATING, TERMINATION AND INSULATION THICKNESS.  
DISCONNECT ALL POWER BEFORE SERVICING !

KEY	COMPONENT
A55	PANEL, MAIN
B1	COMPRESSOR 1
B2	COMPRESSOR 2
B3	MOTOR, BLOWER
B4	MOTOR, OUTDOOR FAN 1
B5	MOTOR, OUTDOOR FAN 2
B10	MOTOR, EXHAUST FAN
C1	CAPACITOR, OUTDOOR FAN 1
C2	CAPACITOR, OUTDOOR FAN 2
C6	CAPACITOR, EXHAUST FAN
CB8	CIRCUIT BREAKER, TRANSFORMER T1
CB10	CIRCUIT BREAKER, UNIT MAIN DISCONNECT
CB31	CIRCUIT BREAKER, TRANSFORMER T43
F4	FUSE, UNIT
HR1	HEATER, COMPRESSOR 1
HR2	HEATER, COMPRESSOR 2
J11	JACK, GFI RECEPTACLE
K1,-1	CONTACTOR, COMPRESSOR 1
K2,-1	CONTACTOR, COMPRESSOR 2
K3,-1	CONTACTOR, BLOWER
K10,-1,2	RELAY, OUTDOOR FAN 1
K65,-1,2	RELAY, EXHAUST FAN
K68,-1,2	RELAY, OUTDOOR FAN 2
K251-1,2	RELAY, 2 SPEED MOTOR
L14	VALVE, SOLENOID REHEAT COIL 1
L30	VALVE, SOLENOID REHEAT COIL 2
RT17	SENSOR, OUTSIDE AIR TEMPERATURE
S4	SWITCH, LIMIT HI PRESS COMP 1
S5	SWITCH, LIMIT HI TEMP COMPRESSOR 1
S7	SWITCH, LIMIT HI PRESS COMPRESS 2
S8	SWITCH, LIMIT HI TEMP COMPRESSOR 2
S11	SWITCH, LOW PRESS, LOW AMBIENT KIT COMP 1
S42	SWITCH, OVERLOAD RELAY BLOWER MOTOR
S48	SWITCH, DISCONNECT
S49	SWITCH, FREEZESTAT COMP 1
S50	SWITCH, FREEZESTAT COMP 2
S84	SWITCH, LOW PRESS, LOW AMBIENT KIT COMP 2
S87	SWITCH, LOW PRESS, COMPRESSOR 1
S88	SWITCH, LOW PRESS, COMPRESSOR 2
T1	TRANSFORMER, CONTROL
T43	TRANSFORMER, HUMIDITROL
TB2	TERMINAL STRIP, UNIT

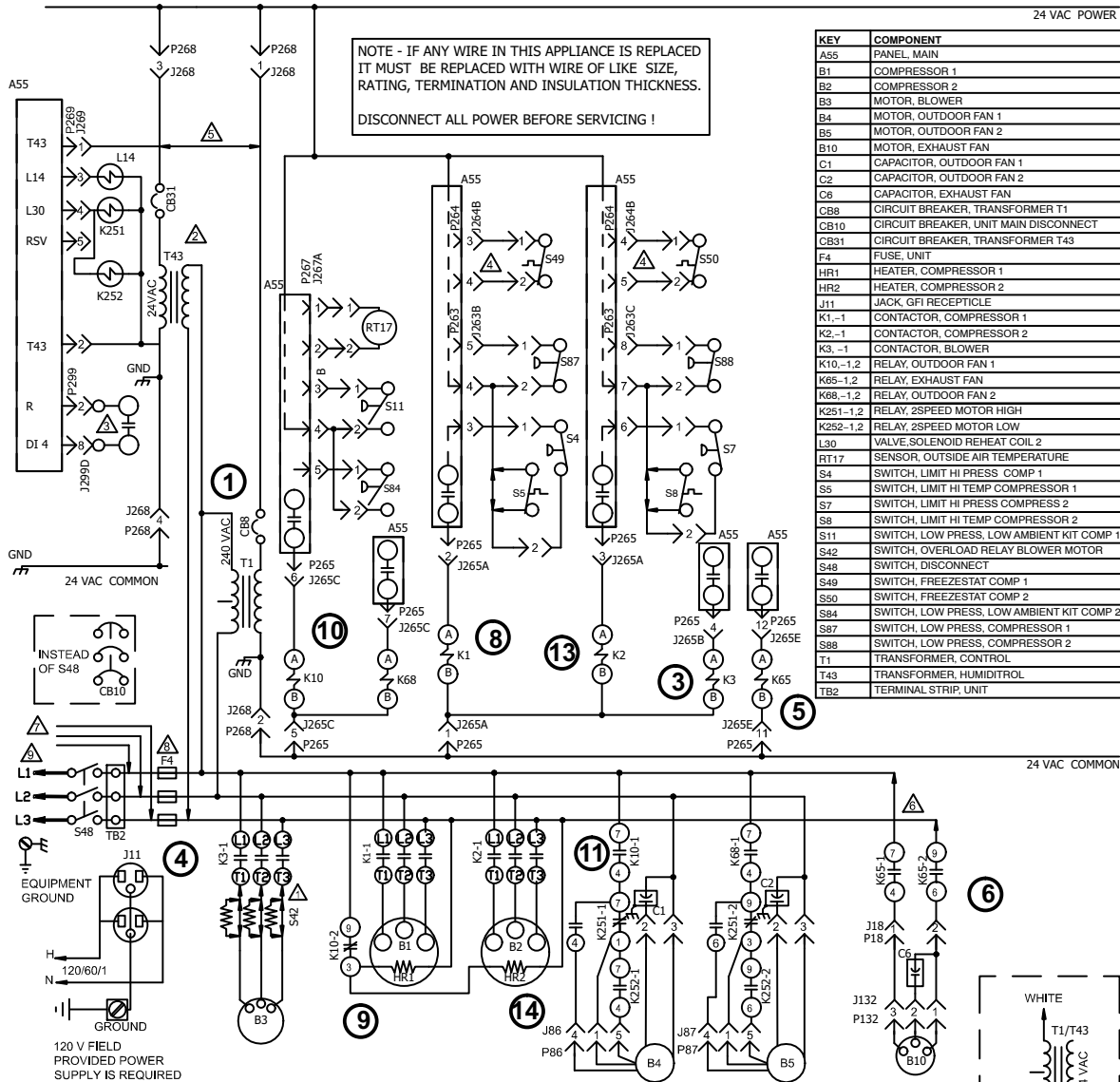
- ⚠ S42 USED ON "M" VOLTAGE UNITS AND UNITS WITH HIGH EFFICIENCY MOTORS
- ⚠ ONLY IN UNITS WITH HUMIDITROL OR PHASE AND VOLTAGE DETECTION OPTION
- ⚠ EXTERNAL HUMIDITROL CONTACTS
- ⚠ S49 AND S50 ARE PART OF 5VDC CIRCUIT
- ⚠ J268-1,-3 AND J268-2,-4 ARE CONNECTED ON UNITS WITHOUT HUMIDITROL OR PHASE DETECTION OPTIONS
- ⚠ B10 IS NOT USED ON UNITS WITH ERV
- ⚠ USED ON UNITS WITH ERV SINGLE POINT POWER. SEE ERV DIAGRAM
- ⚠ USED ON LCH AND UNITS WITH ERV SINGLE POINT POWER ONLY
- ⚠ NOTE: FOR USE WITH COPPER CONDUCTORS ONLY. REFER TO UNIT RATING PLATE FOR MINIMUM CIRCUIT AMPACITY AND MAXIMUM OVERCURRENT PROTECTION SIZE.

J/P	JACK/PLUG DESCRIPTION
18	EXHAUST FAN
86	OUTDOOR FAN 1
87	OUTDOOR FAN 2
132	EXHAUST FAN MOTOR
283	HIGH AND LOW PRESSURE SWITCHES
284	BLOWER DECK
265	CONTACTORS AND RELAYS
267	OUTDOOR FAN AREA
268	TRANSFORMER T1 POWER
269	HUMIDITROL CONTROL
299	HUMIDITROL SAFETY INTERFACE

— DENOTES OPTIONAL COMPONENTS  
 — LINE VOLTAGE FIELD INSTALLED

WIRING DIAGRAM	09/17
COOLING	
LCH/LGH 150H - Y	
SECTION B	REV. 1
Supersedes	New Form No. 537897-01

# LGH150H - G, J, M - CONSTANT SUPPLY AIR, BELT DRIVE BLOWER



NOTE - IF ANY WIRE IN THIS APPLIANCE IS REPLACED IT MUST BE REPLACED WITH WIRE OF LIKE SIZE, RATING, TERMINATION AND INSULATION THICKNESS.  
DISCONNECT ALL POWER BEFORE SERVICING !

KEY	COMPONENT
A55	PANEL, MAIN
B1	COMPRESSOR 1
B2	COMPRESSOR 2
B3	MOTOR, BLOWER
B4	MOTOR, OUTDOOR FAN 1
B5	MOTOR, OUTDOOR FAN 2
B10	MOTOR, EXHAUST FAN
C1	CAPACITOR, OUTDOOR FAN 1
C2	CAPACITOR, OUTDOOR FAN 2
C6	CAPACITOR, EXHAUST FAN
CB8	CIRCUIT BREAKER, TRANSFORMER T1
CB10	CIRCUIT BREAKER, UNIT MAIN DISCONNECT
CB31	CIRCUIT BREAKER, TRANSFORMER T43
F4	FUSE, UNIT
HR1	HEATER, COMPRESSOR 1
HR2	HEATER, COMPRESSOR 2
J11	JACK, GFI RECEPTICLE
K1,-1	CONTACTOR, COMPRESSOR 1
K2,-1	CONTACTOR, COMPRESSOR 2
K3,-1	CONTACTOR, BLOWER
K10,-1,2	RELAY, OUTDOOR FAN 1
K65,-1,2	RELAY, EXHAUST FAN
K68,-1,2	RELAY, OUTDOOR FAN 2
K251,-1,2	RELAY, 2SPEED MOTOR HIGH
K252,-1,2	RELAY, 2SPEED MOTOR LOW
L30	VALVE SOLENOID REHEAT COIL 2
RT17	SENSOR, OUTSIDE AIR TEMPERATURE
S4	SWITCH, LIMIT HI PRESS COMP 1
S5	SWITCH, LIMIT HI TEMP COMPRESSOR 1
S7	SWITCH, LIMIT HI PRESS COMPRESSOR 2
S8	SWITCH, LIMIT HI TEMP COMPRESSOR 2
S11	SWITCH, LOW PRESS, LOW AMBIENT KIT COMP 1
S42	SWITCH, OVERLOAD RELAY BLOWER MOTOR
S48	SWITCH, DISCONNECT
S49	SWITCH, FREEZE/STAT COMP 1
S50	SWITCH, FREEZE/STAT COMP 2
S84	SWITCH, LOW PRESS, LOW AMBIENT KIT COMP 2
S87	SWITCH, LOW PRESS, COMPRESSOR 1
S88	SWITCH, LOW PRESS, COMPRESSOR 2
S11	TRANSFORMER, CONTROL
T1	TRANSFORMER, HUMIDITROL
TB2	TERMINAL STRIP, UNIT

- ⚠ S42 USED ON "M" VOLTAGE UNITS AND UNITS WITH HIGH EFFICIENCY MOTORS
- ⚠ ONLY IN UNITS WITH HUMIDITROL OR PHASE AND VOLTAGE DETECTION OPTION
- ⚠ EXTERNAL HUMIDITROL CONTACTS
- ⚠ S49 AND S50 ARE PART OF 5VDC CIRCUIT
- ⚠ J268-1,-3 AND J268-2,-4 ARE CONNECTED ON UNITS WITHOUT HUMIDITROL OR PHASE DETECTION OPTIONS
- ⚠ B10 IS NOT USED ON UNITS WITH ERV
- ⚠ USED ON UNITS WITH ERV SINGLE POINT POWER. SEE ERV DIAGRAM
- ⚠ USED ON LCH AND UNITS WITH ERV SINGLE POINT POWER ONLY
- ⚠ NOTE: FOR USE WITH COPPER CONDUCTORS ONLY. REFER TO UNIT RATING PLATE FOR MINIMUM CIRCUIT AMPACITY AND MAXIMUM OVERCURRENT PROTECTION SIZE.

J/P	JACK/PLUG DESCRIPTION
18	EXHAUST FAN
86	OUTDOOR FAN 1
87	OUTDOOR FAN2
132	EXHAUST FAN MOTOR
263	HIGH AND LOW PRESSURE SWITCHES
264	BLOWER DECK
265	CONTACTORS AND RELAYS
267	OUTDOOR FAN AREA
268	TRANSFORMER T1 POWER
269	HUMIDITROL CONTROL
299	HUMIDITROL SAFETY INTERFACE

← DENOTES OPTIONAL COMPONENTS  
 — LINE VOLTAGE FIELD INSTALLED

WIRING DIAGRAM	09/17
COOLING	
LCH/LGH 150H - G, J, M	
SECTION B	REV. 1
Supersedes	New Form No. 537898-01

## LGH092/150 SEQUENCE OF OPERATION

### Power:

- 1- Line voltage through the S48 unit disconnect, TB2 terminal block, or CB10 circuit breaker energizes the T1 transformer. T1 provides 24VAC power to A55 Unit Controller which provides 24VAC to the unit cooling, heating and blower controls.
- 2- Line voltage is also routed to compressor crankcase heaters, compressor contactors, the blower motor contactor, condenser fan relays and exhaust fan relays.

### Blower Operation:

- 3- The A55 Unit Controller module receives a demand from thermostat terminal G. A55 energizes blower contactor K3 with 24VAC.
- 4- N.O. K3-1 closes, energizing blower B3.

### Economizer Operation:

- 5- A55 receives a demand and energizes exhaust fan relay K65 with 24VAC at 50% outside air damper open (adjustable).
- 6- N.O. K65-1 and N.O. K65-2 both close, energizing exhaust fan motor B10.

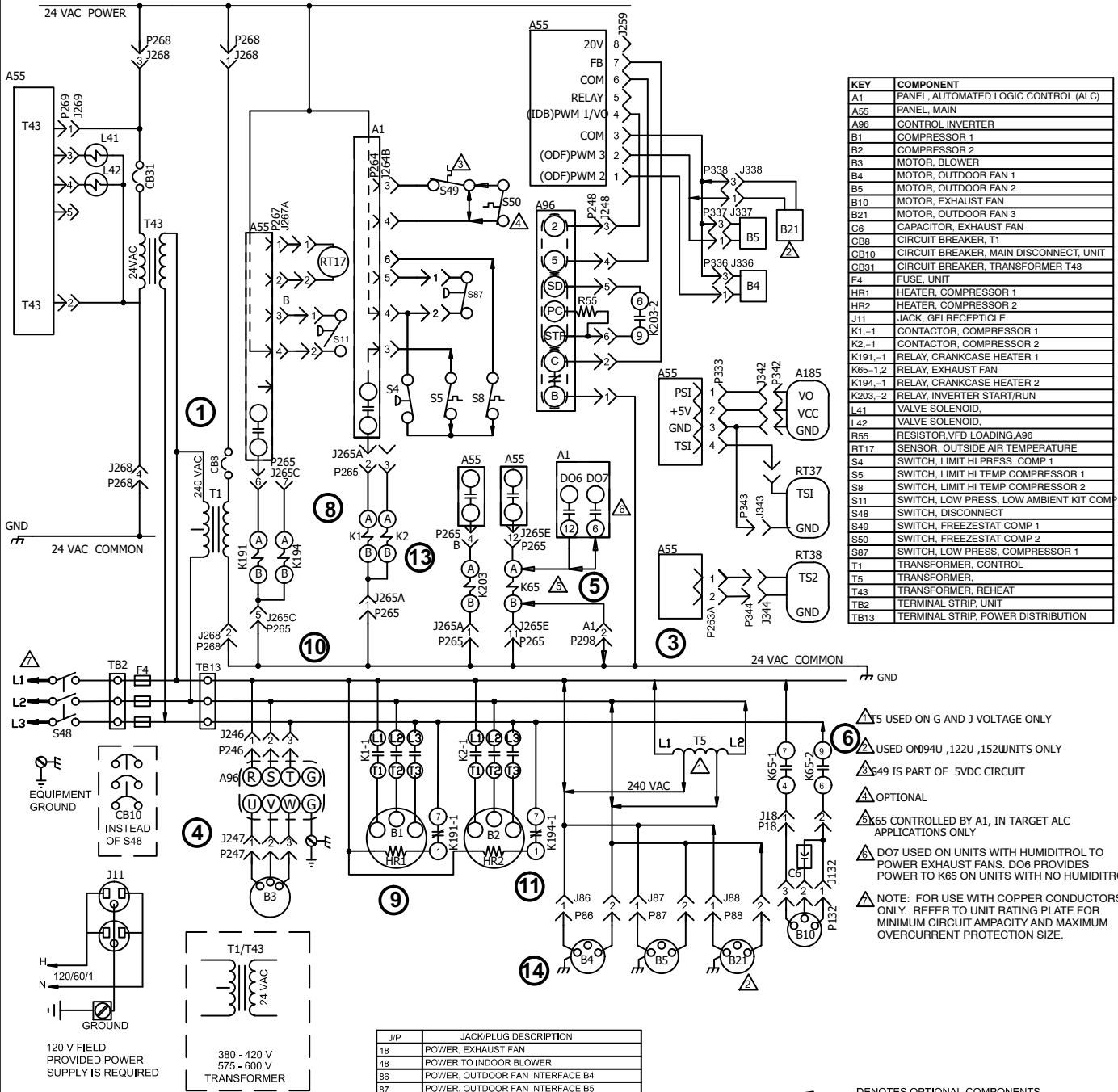
### 1st Stage Cooling (compressor B1)

- 7- A55 receives a Y1 thermostat demand.
- 8- After A55 proves N.C. low pressure switch S87, N.C. freezestat S49 and N.C. high pressure switch S4, compressor contactor K1 is energized.
- 9- N.O. contacts K1-1 close energizing compressor B1.
- 10- At the same time, A55 energizes condenser fan relays K10 (when N.O. low ambient switches S11 and S84 close) and K68.
- 11- N.O. contacts K10-1 close energizing condenser fan B4 and N.C. contacts K10-2 open, de-energizing compressor crankcase heaters HR1 and HR2. N.O. contacts K68-1 close energizing condenser fan B5.

### 2nd Stage Cooling (compressor B2 is energized)

- 12- A55 receives a Y2 thermostat demand.
- 13- After A55 proves N.C. low pressure switch S88, N.C. freezestat S50 and N.C. high pressure switch S7, compressor contactor K2 is energized.
- 14- N.O. contacts K2-1 close energizing compressor B2.

# LGH092/152U STAGED SUPPLY AIR, NO BYPASS, BELT DRIVE BLOWER



KEY	COMPONENT
A1	PANEL, AUTOMATED LOGIC CONTROL (ALC)
A55	PANEL, MAIN
A96	CONTROL INVERTER
B1	COMPRESSOR 1
B2	COMPRESSOR 2
B3	MOTOR, BLOWER
B4	MOTOR, OUTDOOR FAN 1
B5	MOTOR, OUTDOOR FAN 2
B10	MOTOR, EXHAUST FAN
B21	MOTOR, OUTDOOR FAN 3
C6	CAPACITOR, EXHAUST FAN
CB8	CIRCUIT BREAKER, T1
CB10	CIRCUIT BREAKER, MAIN DISCONNECT, UNIT
CB31	CIRCUIT BREAKER, TRANSFORMER T43
F4	FUSE, UNIT
HR1	HEATER, COMPRESSOR 1
HR2	HEATER, COMPRESSOR 2
J11	JACK, GFI RECEPTACLE
K1,-1	CONTACTOR, COMPRESSOR 1
K2,-1	CONTACTOR, COMPRESSOR 2
K191,-1	RELAY, CRANKCASE HEATER 1
K65-1,2	RELAY, EXHAUST FAN
K194,-1	RELAY, CRANKCASE HEATER 2
K203,-2	RELAY, INVERTER START/RUN
L41	VALVE SOLENOID,
L42	VALVE SOLENOID,
R55	RESISTOR,VFD LOADING,A96
RT17	SENSOR, OUTSIDE AIR TEMPERATURE
S4	SWITCH, LIMIT HI PRESS COMP 1
S5	SWITCH, LIMIT HI PRESS COMPRESSOR 1
S8	SWITCH, LIMIT HI TEMP COMPRESSOR 2
S11	SWITCH, LOW PRESS, LOW AMBIENT KIT COM
S48	SWITCH, DISCONNECT
S49	SWITCH, FREEZE/STAT COMP 1
S50	SWITCH, FREEZE/STAT COMP 2
S87	SWITCH, LOW PRESS, COMPRESSOR 1
T1	TRANSFORMER, CONTROL
T5	TRANSFORMER,
T43	TRANSFORMER, REHEAT
TB2	TERMINAL STRIP, UNIT
TB13	TERMINAL STRIP, POWER DISTRIBUTION

- ⚠ 5 USED ON G AND J VOLTAGE ONLY
- ⚠ 6 USED ON 094U ,122U ,152U UNITS ONLY
- ⚠ 7 549 IS PART OF 5VDC CIRCUIT
- ⚠ 8 OPTIONAL
- ⚠ 9 K65 CONTROLLED BY A1, IN TARGET ALC APPLICATIONS ONLY
- ⚠ 10 DO7 USED ON UNITS WITH HUMIDITROL TO POWER EXHAUST FANS. DO6 PROVIDES POWER TO K65 ON UNITS WITH NO HUMIDITROL
- ⚠ 11 NOTE: FOR USE WITH COPPER CONDUCTORS ONLY. REFER TO UNIT RATING PLATE FOR MINIMUM CIRCUIT AMPACITY AND MAXIMUM OVERCURRENT PROTECTION SIZE.

← DENOTES OPTIONAL COMPONENTS  
 — LINE VOLTAGE FIELD INSTALLED

J/P	JACK/PLUG DESCRIPTION
18	POWER, EXHAUST FAN
48	POWER TO INDOOR BLOWER
86	POWER, OUTDOOR FAN INTERFACE B4
87	POWER, OUTDOOR FAN INTERFACE B5
88	POWER, OUTDOOR FAN INTERFACE B21
132	POWER, EXHAUST FAN MOTOR
246	POWER TO VFD
247	POWER, VFD TO MOTOR
248	VFD CONTROL
263	HIGH AND LOW PRESSURE SWITCHES
264	BLOWER DECK
265	CONTACTORS AND RELAYS
267	OUTDOOR FAN AREA
268	TRANSFORMER T1 POWER
269	TRANSFORMER T43 POWER
298	IAQ INTERFACE

WIRING DIAGRAM	03/17
<b>COOLING -MSAV NO BYPASS</b>	
(ULTRA) LCH/LGH - 092U, 094U, 120U, 122U, 152U - Y, G, J, M	
SECTION B	REV 0
Supersedes	New Form No. 537616-03

## LGH092/152U M3 SEQUENCE OF OPERATION

### Power:

- 1- Line voltage through the S48 unit disconnect, TB2 terminal block, or CB10 circuit breaker energizes the T1 transformer. T1 provides 24VAC power to A55 Unit Controller which provides 24VAC to the unit cooling, heating and blower controls.
- 2- Line voltage is also routed to compressor crankcase heaters, compressor contactors, supply air inverter control, condenser fan relays and exhaust fan relays.

### Blower Operation:

Supply Air Inverter: Refer to Supply Air Inverter or Direct Drive blower diagram and sequence of operation.

### Economizer Operation:

- 3- A55 receives a demand and energizes exhaust fan relay K65 with 24VAC at 50% outside air damper open (adjustable).
- 4- N.O. K65-1 and N.O. K65-2 both close, energizing exhaust fan motor B10.

### 1st Stage Cooling (compressor B1 or B2)

- 5- A55 receives a Y1 thermostat demand.
- 6- After A55 proves N.C. low pressure switch S87, N.C. freezestat S49 and N.C. high pressure switch S4, compressor contactor K1 or K2 are energized. *Note - A55 logic (using input from RT37 and RT38 temperature sensors and A185 pressure transducer) determines which contactor is energized.*
- 7- N.O. contacts K1-1 or K2-1 close energizing compressor B1 or B2.

At the same time A55 energizes:

All three condenser fans, B4, B5 & B21, on **LOW** speed.

K191 compressor 1 crankcase heater relay when K1 is energized or K194 compressor 2 crankcase heater relay when K2 is energized (after A55 proves N.O. low ambient switch S11 is closed).

- 8- N.C. K191-1 compressor 1 crankcase heater contacts or N.C. K194-1 compressor 2 crankcase heater contacts open and de-energize compressor crankcase heater HR1 or HR2.

### 2nd Stage Cooling (compressor B1 and B2 are energized)

- 9- A55 receives a Y2 thermostat demand.
- 10-The K1 or K2 compressor contactor which was not energized will close.
- 11-N.O. K1-1 or K2-1 relay contacts which were not energized will close. The corresponding B1 or B2 compressor will operate in tandem with the other compressor.

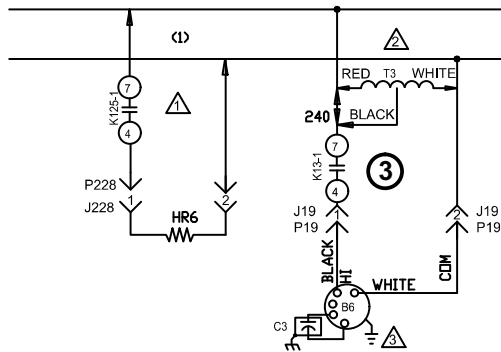
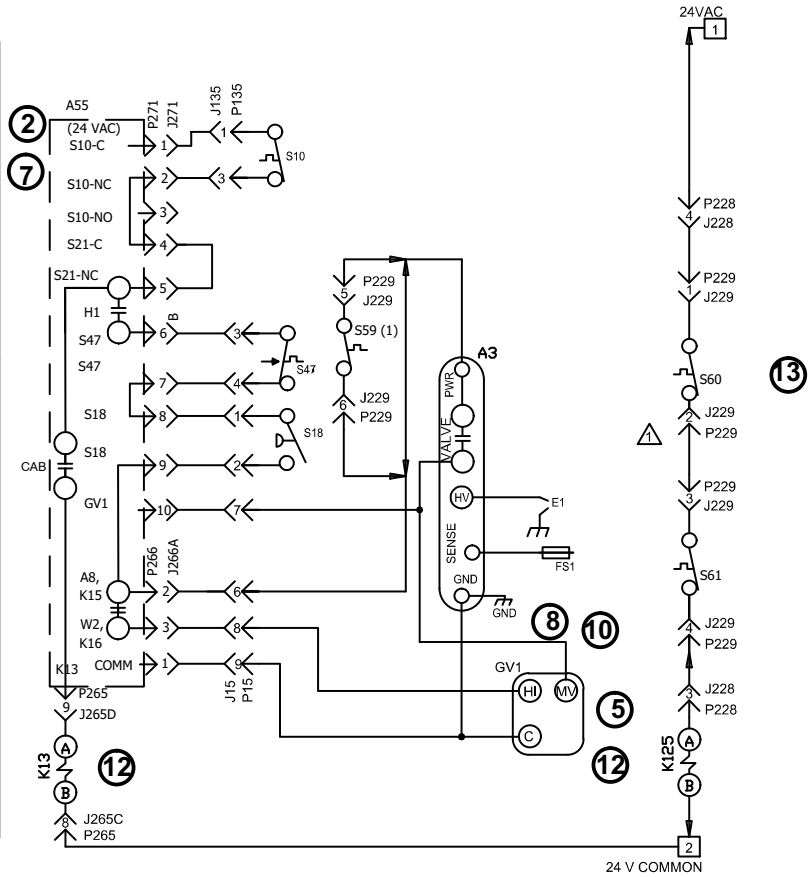
At the same time A55 energizes:

All three condenser fans, B4, B5 & B21, on **HIGH** speed.

The K191 or K194 crankcase heater relay which was not energized will close. N.C. K191-1 or K194-1 relay contacts open and de-energize the corresponding crankcase heater HR1 or HR2.

# GAS HEAT FOR LGH092/150 UNITS

KEY	DESCRIPTION
A3	CONTROL, BURNER 1
A55	CONTROL, MAIN BOARD LENNOX
B6	MOTOR COMBUSTION AIR BLOWER
C3	CAPACITOR, COMB AIR BLOWER 1
E1	SPARK
FS1	SENSOR FLAME
GV1	VALVE GAS 1
HR6	HEATER, -50C LOW AMBIENT KIT
J15	JACK, BURNER 1
J19	JACK, COMBUSTION AIR BLOWER 1
J135	JACK, PRIMARY LIMIT
J228	JACK, VESTIBULE HEATER
J229	JACK, VESTIBULE HEATER CONTROL 1
J265C	JACK, CONTACTOR RELAY
J266A	JACK, HEATING CONTROL STG 1
J271A,B	JACK, HEATING SENSORS STG 1
K13,-1	RELAY, COMBUSTION AIR BLOWER
K123,-1	RELAY, SINGLE THROW LIMIT
K125,-1	RELAY, HEAT SHUT OFF
P15	PLUG, BURNER 1
P19	PLUG, COMBUSTION AIR BLOWER 1
P135	PLUG, PRIMARY LIMIT
P228	PLUG, VESTIBULE HEATER
P229	PLUG, VESTIBULE HEATER CONTROL 1
P265	PLUG, CONTACTOR RELAY
P266	PLUG, HEATING CONTROL
P271	PLUG, HEATING SENSORS STG 1
S10	SWITCH, LIMIT PRIMARY GAS
S18	SWITCH, COMBUSTION AIR BLOWER PROOF
S47	SWITCH FLAME ROLLOUT BURNER
S59	TSTAT, OPEN -20F, CLOSE 10F
S60	TSTAT, OPEN 20F, CLOSE -10F
S61	TSTAT, OPEN 50F, CLOSE 20F
T3	TRANSFORMER COMB AIR BWR 1



- ⚠ CSA (-50C) LOW AMBIENT KIT (OPTIONAL)
- ⚠ T3 USED ON 575 V UNITS ONLY
- ⚠ GROUND WIRE CE ONLY

← DENOTES OPTIONAL COMPONENTS

0414	WIRING DIAGRAM	03/17
537705-03	HEATING	
GAS HEAT, 130, 180 AND 240		
SECTION A		REV. 0
Supersedes		New Form No. 537705-03

## GAS HEAT SEQUENCE OF OPERATION LGH092/150

### First Stage Heat:

- 1- Heating demand initiates at W1 in the thermostat.
- 2- 24VAC is routed through TB34 to the A55 Unit Controller. After A55 proves N.C. primary limit S21, the combustion air blower relay K13 is energized.
- 3- N.O. K13-1 contacts close allowing line voltage to energize combustion air blower B6.
- 4- After the combustion air blower B6 has reached full speed, the combustion air proving switch S18 contacts close. The A55 routes 24VAC through N.C. burner flame roll-out switch S47 and the closed contacts of combustion air proving switch S18 to energize the ignition module A3.
- 5- After a 30 second delay A3 energizes the ignitor and LO terminal (low fire) of gas valve GV1.

### Second Stage Heat:

- 6- With first stage heat operating, an additional heating demand initiates W2 in the thermostat.
- 7- A second stage heating demand is received by A55 Unit Controller.
- 8- A55 energizes HI terminal (high fire) of gas valve GV1.

### End of Second Stage Heat:

- 9- Heating demand is satisfied. Terminal W2 (high fire) is de-energized.
- 10- Terminal HI of GV1 is de-energized by A55 control module.

### End of First Stage Heat:

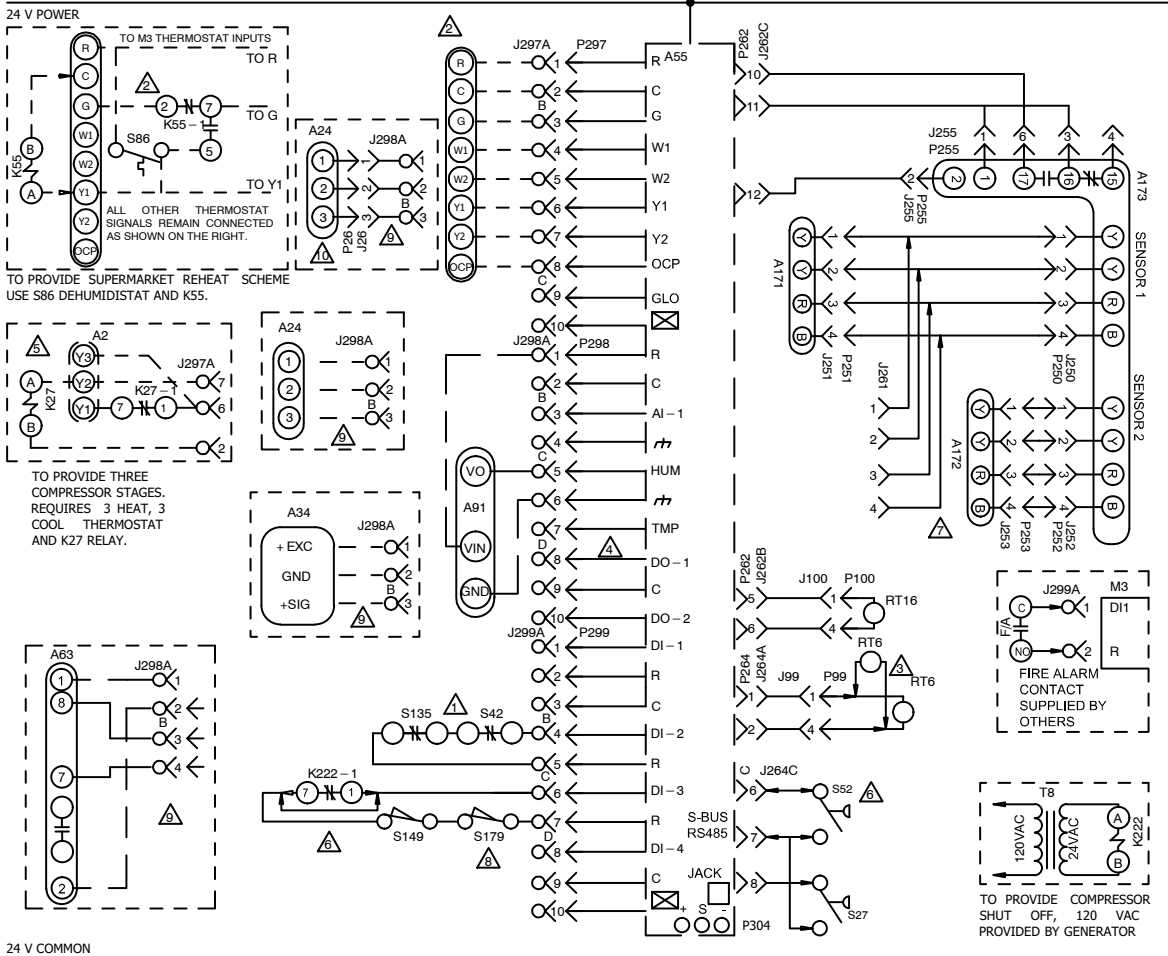
- 11- Heating demand is satisfied. Terminal W1 (low fire) is de-energized.
- 12- Ignition A3 is de-energized by control module A55 in turn de-energizing terminal LO of GV1. Combustion air blower relay K13 is also de-energized.

### Optional Low Ambient Kit:

#### (C.G.A. -50° C Low Ambient Kit)

- 13- Line voltage (or transformer T20 in 460V and 575V only) is routed through the low ambient kit fuses F20 and N.C. low ambient kit thermostats S60 and S61, to energize low ambient kit heater HR6.

# ELECTRONIC OR ELECTROMECHANICAL THERMOSTAT



KEY	DESCRIPTION	COMPONENT
A2	SENSOR, ELECTRONIC THERMOSTAT	P253
A24	CONTROL, OUTDOOR AIR CFM FLOW	P255
A34	DIFFERENTIAL PRESSURE TRANSDUCER	P262
A55	CONTROLBOARD, MAIN	P264
A63	SENSOR, CO2 (IAQ) OPTIONAL	P297
A91	SENSOR, HUMIDITY	P298
A171	SENSOR ONE, SMOKE, RETURN AIR	P299
A172	SENSOR TWO, SMOKE, SUPPLY AIR	P304
A173	MODULE, CONTROL SMOKE DETECTION	RT6
J26	JACK, AIR FLOW CONTROL	RT16
J99	JACK, RT16 RETURN AIR SENSOR	S27
J100	JACK, RT6 SUPPLY AIR SENSOR	S52
J250	JACK, SMOKE DETECTOR ONE	S42
J251	JACK, SMOKE DETECTOR ONE	S86
J252	JACK, SMOKE DETECTOR TWO	S135
J253	JACK, SMOKE DETECTOR TWO	S149
J255	JACK, MODULE, CONTROL SMOKE DETECTION	S179
J261	JACK, SUPPLY SMOKE DETECTOR JUMPER	T8
J262	JACK, ECONOMIZER	
J264	JACK, BLOWER DECK	
J297	JACK, THERMOSTAT - DDC INTERFACE	
J298	JACK, IAQ INTERFACE	
J299	JACK, SAFETY INTERFACE	
K27, -1	RELAY, TRANSFER	
K55, -1	RELAY, BLOWER	
K222, -1	RELAY, COMPRESSOR LOCKOUT	
P26	PLUG, AIR FLOW CONTROL	
P99	PLUG, RT16 RETURN AIR SENSOR	
P100	PLUG, RT6 SUPPLY AIR SENSOR	
P250	PLUG, SMOKE DETECTOR ONE	
P251	PLUG, SMOKE DETECTOR ONE	
P252	PLUG, SMOKE DETECTOR TWO	

- ▲ FOR MOTORS WITH S42 EXTERNAL OVERLOAD LESS INVERTER, SEE INVERTER WITH BY PASS FOR S42 HOOK UP
- ▲ USE S86 DEHUMIDISTAT AND K55 FOR OPTIONAL SUPERMARKET REHEAT SCHEME, PRODIGY PARAMETERS NEED TO BE MODIFIED UNDER THE SETTINGS MENU OR VIA UC SOFTWARE FOR SIMULTANEOUS HEATING AND COOLING.
- ▲ REMOTE LOCATION OF RT6
- ▲ P298-8 (DO-1) IS SERVICE RELAY OUTPUT (24VAC) IF USED CONNECT TO AN INDICATOR LIGHT
- ▲ THERMOSTAT HOOKUP FOR PROGRAMMABLE CONFIGURATION OF THE BOARD (A55).
- ▲ PRODIGY SETTINGS MUST BE MODIFIED WHEN K222, S42, S52, S149 OR S179 ARE INSTALLED
- ▲ CONNECT A172 SENSOR TO J261 ON SUPPLY AIR SMOKE DETECTOR ONLY
- ▲ S179, OVERFLOW SWITCH USED ON LGH/LCH 420-600 UNITS ONLY
- ▲ A63, A34 & A24 ARE MUTUALLY EXCLUSIVE
- ▲ FACTORY INSTALLED OPTION FOR LGH/LCH 242-600 UNITS ONLY

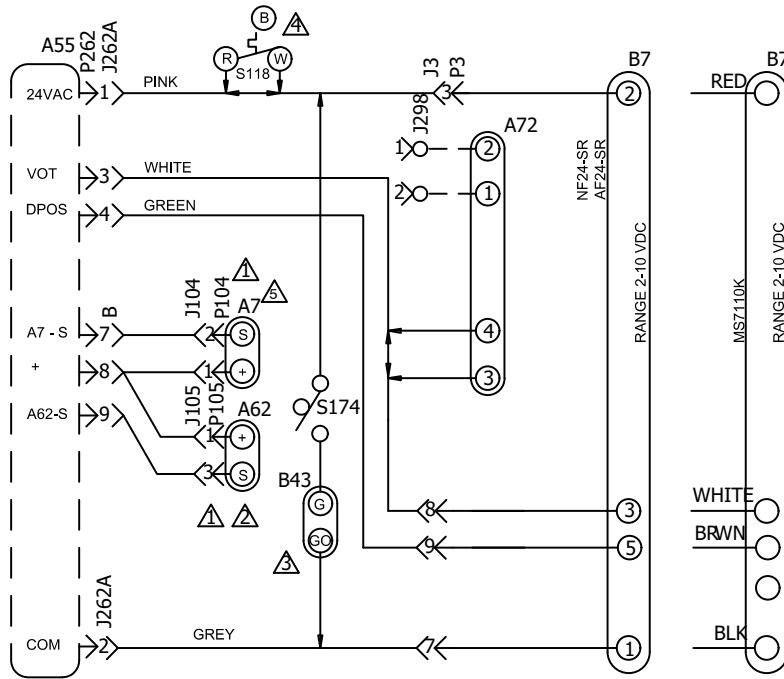
— — — — — DESIGNATES OPTIONAL WIRING CLASS II FIELD WIRING

08/17	WIRING DIAGRAM	08/17
537108-03		
ACCESSORIES		
ELECTRONIC OR ELECTROMECHANICAL THERMOSTAT FOR ENERGECE		
SECTION C		REV. 3
Supersedes	New Form No.	537108-03

- 1- The A55 Unit Controller energizes the thermostat components with 24VAC via J/P297-1.
- 2- The A55 Unit Controller proves the optional N.O. filter switch S27 (indicates dirty filter when closed) and optional N.O. air flow switch S52 (indicates no air [i.e. broken belt] system shuts down).
- 3- The A55 Unit Controller receives data from the supply and return smoke detectors A171 and A172, blower motor overload relay S42, discharge sensor RT6 and return air sensor RT16.
- 4- The A55 Unit Controller receives data from the electronic thermostat A2 (Y1, Y2, W1, W2, G, OCP) and the CO<sub>2</sub> sensor A63 (if economizer is used). A55 energizes the appropriate components.

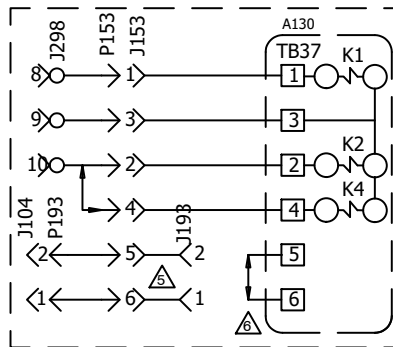


# ECONOMIZER



KEY	DESCRIPTION
A7	SENSOR, SOLID STATE ENTHALPY
A130	CONTROL, ERS
A55	CONTROL, MAIN PANEL LENNOX
A62	SENSOR, ENTHALPY INDOOR
A72	CONTROL, REMOTE MIN POS (OPT)
B7	MOTOR, DAMPER ECONOMIZER
B43	MOTOR, EXHAUST DAMPER
J3	JACK, UNIT ECONOMIZER
J104	JACK, SENSOR OUTDOOR ENTHALPY
J105	JACK, SENSOR RETURN AIR ENTHALPY
J153	JACK, ENTHALPY / DAMPER MOTOR
J193	JACK, ENTHALPY SENSOR
J298A	JACK, IAQ INTERFACE
J262A	JACK, DAMPER MOTOR
J262B	JACK, ENTHALPY SENSORS
P3	PLUG, ECONOMIZER BYPASS
P153	PLUG, ENTHALPY / DAMPER MOTOR
P193	PLUG, ENTHALPY SENSOR
P262	PLUG, ECONOMIZER OUTPUT
S118	THERMOSTAT, DESICANT DEFROST
S174	SWITCH, EXHAUST DAMPER

- ⚠ DELETE A7 AND A62 ( IF USED ) FOR EITHER GLOBAL ENTHALPY OR SENSIBLE TEMPERATURE CONTROL
- ⚠ FOR UNIT DIFFERENTIAL ENTHALPY CONTROL, ADD A62 RETURN AIR ENTHALPY SENSOR
- ⚠ OPTIONAL EXHAUST DAMPER ACTUATOR TO HOLD EXHAUST DAMPER CLOSED WHEN OUTSIDE AIR DAMPER IS CLOSED



**ENERGY RECOVERY WHEEL HOOK UP**  
NOTE - THIS DIAGRAM USED ONLY WHEN ECONOMIZER OR MOTORIZED OUTDOOR AIR DAMPERS ARE INSTALLED.

- ⚠ S118 USED ON 35 TO 50 TON ENERGENCE UNITS WITH ENERGY RECOVERY WHEEL ( ERW )
- ⚠ REPOSITION A7 ENTHALPY SENSOR FROM ROOFTOP UNIT ECONOMIZER INTO INTAKE HOOD OF THE ERW ROOFTOP UNIT
- ⚠ REMOVE JUMPER WHEN INSTALLING OPTIONAL LOW AMBIENT SWITCH

→ DESIGNATES OPTIONAL WIRING  
- - - CLASS II FIELD WIRING

WIRING DIAGRAM	04/18
ACCESSORIES	
ENERGENCE/STRATEGOS SERIES ECONOMIZER AND MOTORIZED OAD PIVOTING WHEEL ENERGY RECOVERY SYSTEM OPTION	
SECTION D	REV 3
Supersedes	New Form No. 537189-01

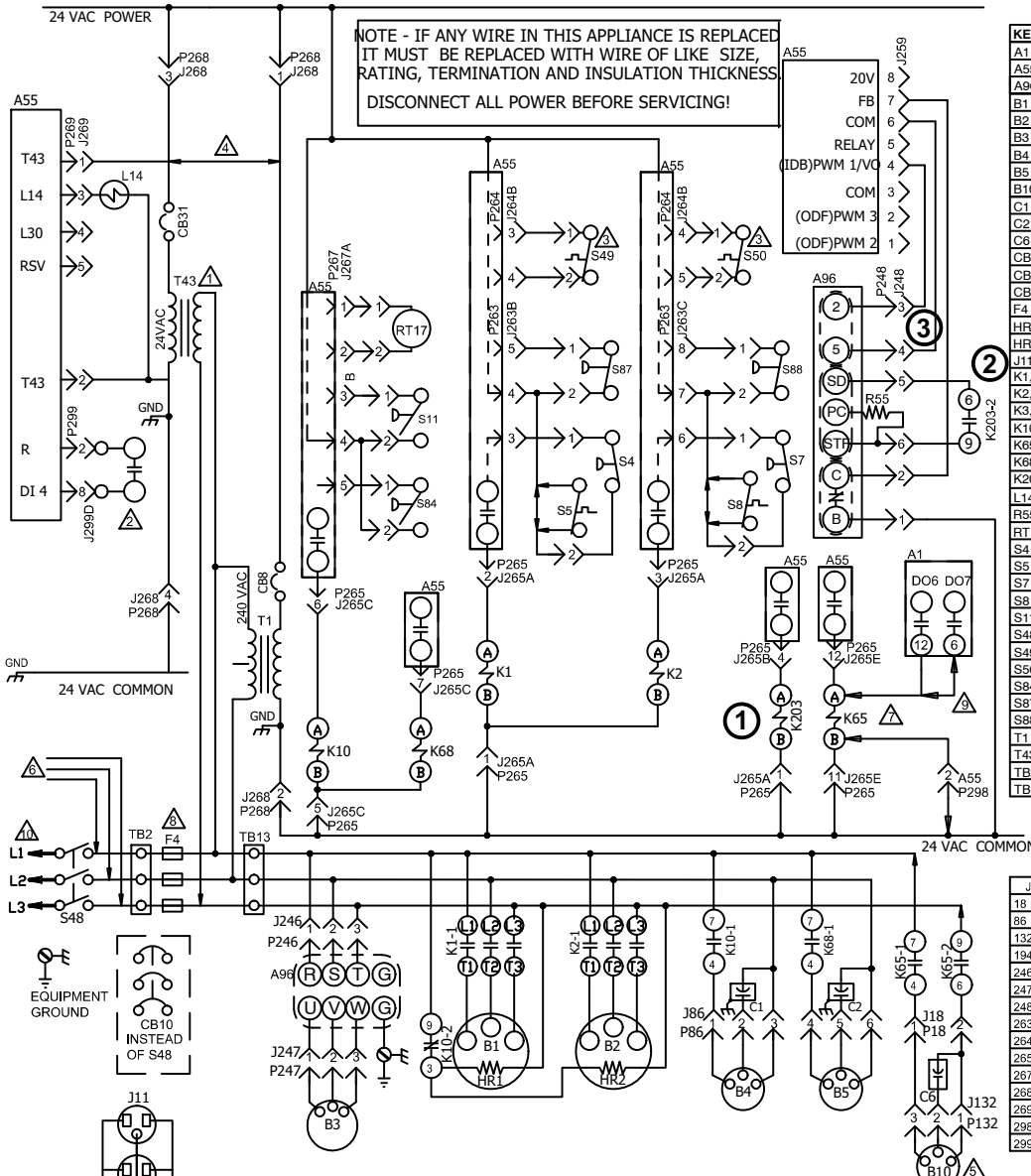
## POWER:

- 1- A55 Unit Controller energizes the economizer components with 24VAC.

## OPERATION:

- 2- The A55 Unit Controller along with outdoor enthalpy sensor A7 and indoor enthalpy sensor A62 (if differential enthalpy is used) powers the damper motor B7.
- 3- A55 supplies B7 with 0 - 10 VDC to control the positioning of economizer.
- 4- The damper actuator provides 2 to 10 VDC position feedback.

# LGH092/102/120H STAGED SUPPLY AIR, NO BYPASS, BELT DRIVE BLOWER

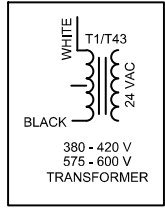


KEY	COMPONENT
A1	PANEL, AUTOMATED LOGIC CONTROL (ALC)
A55	PANEL, MAIN
A96	CONTROL INVERTER
B1	COMPRESSOR 1
B2	COMPRESSOR 2
B3	MOTOR, BLOWER
B4	MOTOR, OUTDOOR FAN 1
B5	MOTOR, OUTDOOR FAN 2
B10	MOTOR, EXHAUST FAN
C1	CAPACITOR, OUTDOOR FAN 1
C2	CAPACITOR, OUTDOOR FAN 2
C6	CAPACITOR, EXHAUST FAN
CB8	CIRCUIT BREAKER, T1
CB10	CIRCUIT BREAKER, MAIN DISCONNECT, UNIT
CB31	CIRCUIT BREAKER, TRANSFORMER T43
F4	FUSE, UNIT
HR1	HEATER, COMPRESSOR 1
HR2	HEATER, COMPRESSOR 2
J11	JACK, GFI RECEPTICLE
K1,-1	CONTACTOR, COMPRESSOR 1
K2,-1	CONTACTOR, COMPRESSOR 2
K3,-1	CONTACTOR, BLOWER
K10,-1,2	RELY, OUTDOOR FAN 1
K65,-1,2	RELY, EXHAUST FAN
K68,-1,2	RELY, OUTDOOR FAN 2
K203,-2	RELY, INVERTER START/RUN
L14	VALVE SOLENOID, REHEAT COIL 1
R55	RESISTOR, VFD LOADING, A96
RT17	SENSOR, OUTSIDE AIR TEMPERATURE
S4	SWITCH, LIMIT HI PRESS COMP 1
S5	SWITCH, LIMIT HI TEMP COMPRESSOR 1
S7	SWITCH, LIMIT HI PRESS COMPRESS 2
S8	SWITCH, LIMIT HI TEMP COMPRESSOR 2
S11	SWITCH, LOW PRESS, LOW AMBIENT KIT COMP
S48	SWITCH, DISCONNECT
S49	SWITCH, FREEZESTAT COMP 1
S50	SWITCH, FREEZESTAT COMP 2
S84	SWITCH, LOW PRESS, LOW AMBIENT KIT COMP
S87	SWITCH, LOW PRESS, COMPRESSOR 1
S88	SWITCH, LOW PRESS, COMPRESSOR 2
T1	TRANSFORMER, CONTROL
T43	TRANSFORMER, REHEAT
TB2	TERMINAL STRIP, UNIT
TB13	TERMINAL STRIP, POWER DISTRIBUTION

J/P	JACK/PLUG DESCRIPTION
18	POWER, EXHAUST FAN
86	POWER, OUTDOOR FAN INTERFACE
132	POWER, EXHAUST FAN MOTOR
194	GP CONTROL INPUT/OUTPUT
246	POWER TO VFD
247	POWER, VFD TO MOTOR
248	VFD CONTROL
263	HIGH AND LOW PRESSURE SWITCHES
264	BLOWER DECK
265	CONTACTORS AND RELAYS
267	OUTDOOR FAN AREA
268	TRANSFORMER T1 POWER
269	TRANSFORMER T43 POWER
298	IAQ INTERFACE
299	HUMIDITROL, SAFETY

- ▲ ONLY IN UNITS WITH HUMIDITROL OR PHASE AND VOLTAGE DETECTION OPTION
- ▲ EXTERNAL HUMIDITROL CONTACTS
- ▲ S49 AND S50 ARE PART OF 5VDC CIRCUIT
- ▲ J268-1,-3 AND J268-2,-4 ARE CONNECTED ON UNITS WITHOUT HUMIDITROL OR PHASE DETECTION OPTIONS
- ▲ B10 IS NOT USED ON UNITS WITH ERV
- ▲ USED ON UNITS WITH ERV SINGLE POINT POWER. SEE ERV DIAGRAM
- ▲ K65 IS CONTROLLED BY A1 ONLY IN TARGET ALC APPLICATIONS
- ▲ USED ON LCH AND UNITS WITH ERV SINGLE POINT POWER ONLY
- ▲ DO7 USED ON UNITS WITH HUMIDITROL TO POWER EXHAUST FANS. DO6 PROVIDES POWER TO K65 ON UNITS WITH NO HUMIDITROL

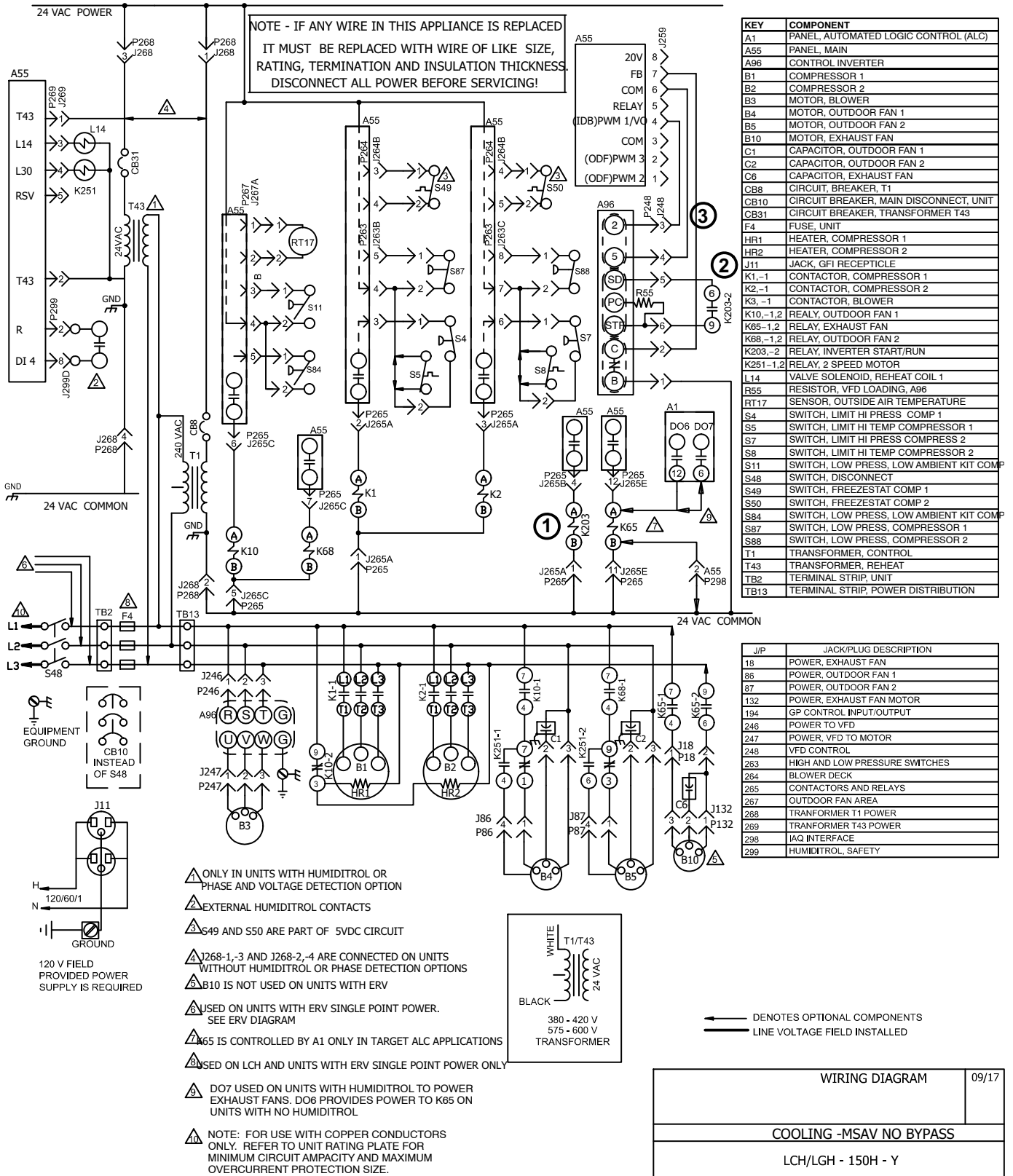
NOTE: FOR USE WITH COPPER CONDUCTORS ONLY. REFER TO UNIT RATING PLATE FOR MINIMUM CIRCUIT AMPACITY AND MAXIMUM OVERCURRENT PROTECTION SIZE.



← DENOTES OPTIONAL COMPONENTS  
 — LINE VOLTAGE FIELD INSTALLED

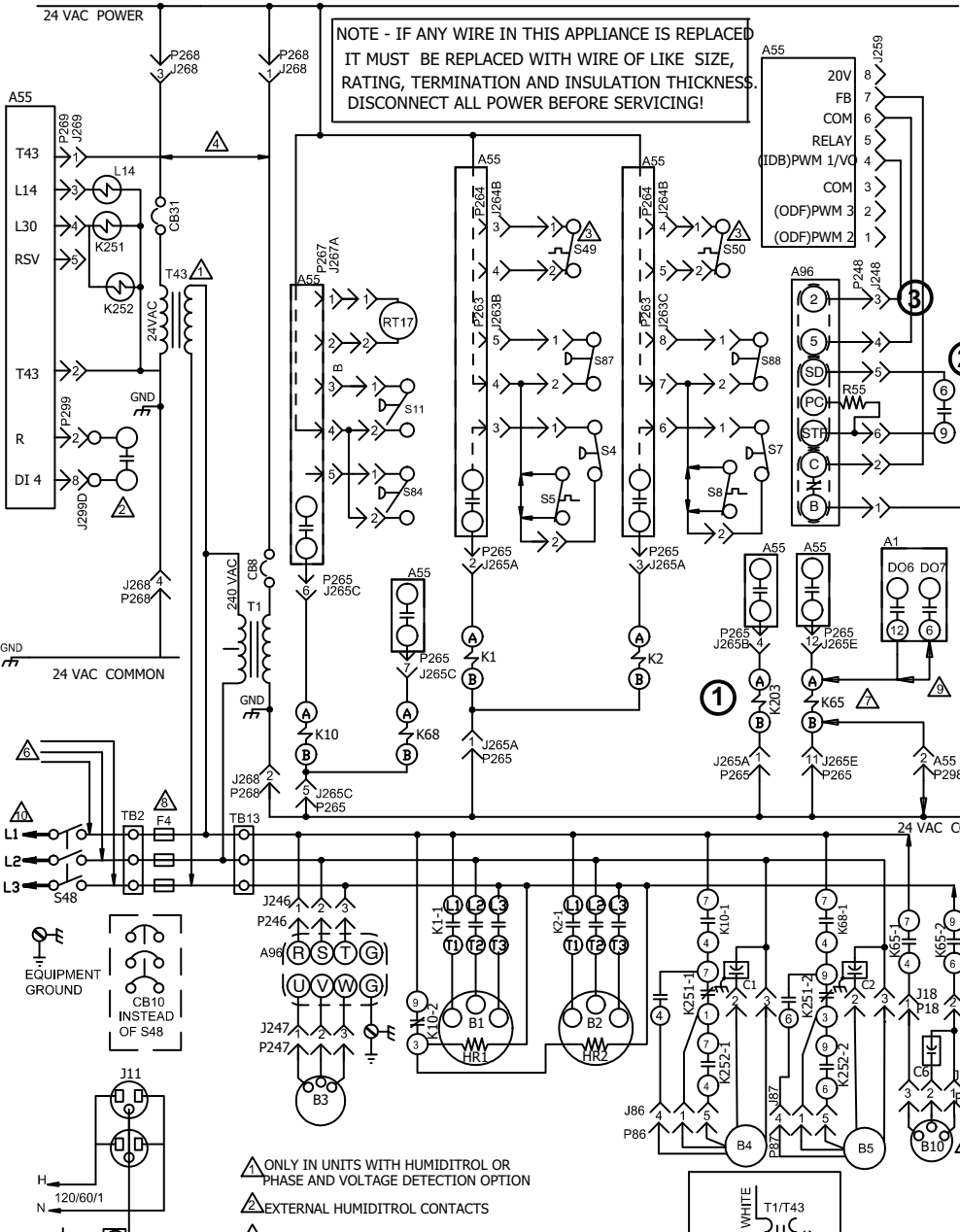
WIRING DIAGRAM		09/17
COOLING -MSAV NO BYPASS		
LCH/LGH - 092H,102H,120H - G,J,M,Y		
SECTION B		REV 0
Supersedes 537407-02	New Form No. 537626-03	

# LGH150H - Y - STAGED SUPPLY AIR, NO BYPASS, BELT DRIVE BLOWER



WIRING DIAGRAM	09/17
<b>COOLING -MSAV NO BYPASS</b>	
<b>LCH/LGH - 150H - Y</b>	
SECTION B	
Supersedes	REV 0
New Form No. 537907-01	

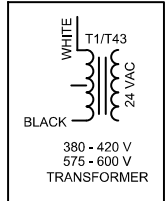
# LGH150H G, J, M - STAGED SUPPLY AIR, NO BYPASS, BELT DRIVE BLOWER



KEY	COMPONENT
A1	PANEL, AUTOMATED LOGIC CONTROL (ALC)
A55	PANEL, MAIN
A96	CONTROL INVERTER
B1	COMPRESSOR 1
B2	COMPRESSOR 2
B3	MOTOR, BLOWER
B4	MOTOR, OUTDOOR FAN 1
B5	MOTOR, OUTDOOR FAN 2
B10	MOTOR, EXHAUST FAN
C1	CAPACITOR, OUTDOOR FAN 1
C2	CAPACITOR, OUTDOOR FAN 2
C6	CAPACITOR, EXHAUST FAN
CB8	CIRCUIT BREAKER, T1
CB10	CIRCUIT BREAKER, MAIN DISCONNECT, UNIT
CB31	CIRCUIT BREAKER, TRANSFORMER T43
F4	FUSE, UNIT
HR1	HEATER, COMPRESSOR 1
HR2	HEATER, COMPRESSOR 2
J11	JACK, GFI RECEPTACLE
K1,-1	CONTACTOR, COMPRESSOR 1
K2,-1	CONTACTOR, COMPRESSOR 2
K3,-1	CONTACTOR, BLOWER
K10,-1,2	RELAY, OUTDOOR FAN 1
K65-1,2	RELAY, EXHAUST FAN
K68,-1,2	RELAY, OUTDOOR FAN 2
K203,-2	RELAY, INVERTER START/RUN
K251-1,2	RELAY, 2 SPEED MOTOR HIGH
K252-1,2	RELAY, 2 SPEED MOTOR LOW
L14	VALVE SOLENOID, REHEAT COIL 1
R55	RESISTOR, VFD LOADING, A96
RT17	SENSOR, OUTSIDE AIR TEMPERATURE
S4	SWITCH, LIMIT HI PRESS COMP 1
S5	SWITCH, LIMIT HI TEMP COMPRESSOR 1
S7	SWITCH, LIMIT HI TEMP COMPRESSOR 2
S8	SWITCH, LIMIT HI TEMP COMPRESSOR 2
S11	SWITCH, LOW PRESS, LOW AMBIENTKIT COMP 1
S48	SWITCH, DISCONNECT
S49	SWITCH, FREEZESTAT COMP 1
S50	SWITCH, FREEZESTAT COMP 2
S84	SWITCH, LOW PRESS, LOW AMBIENTKIT COMP 2
S87	SWITCH, LOW PRESS, COMPRESSOR 1
S88	SWITCH, LOW PRESS, COMPRESSOR 2
T1	TRANSFORMER, CONTROL
T43	TRANSFORMER, REHEAT
TB2	TERMINAL STRIP, UNIT
TB13	TERMINAL STRIP, POWER DISTRIBUTION

J/P	JACK/PLUG DESCRIPTION
18	POWER, EXHAUST FAN
86	POWER, OUTDOOR FAN 1
87	POWER, OUTDOOR FAN 2
132	POWER, EXHAUST FAN MOTOR
194	GP CONTROL INPUT/OUTPUT
246	POWER TO VFD
247	POWER, VFD TO MOTOR
248	VFD CONTROL
263	HIGH AND LOW PRESSURE SWITCHES
264	BLOWER DECK
265	CONTACTORS AND RELAYS
267	OUTDOOR FAN AREA
268	TRANSFORMER T1 POWER
269	TRANSFORMER T43 POWER
298	IAQ INTERFACE
299	HUMIDITROL, SAFETY

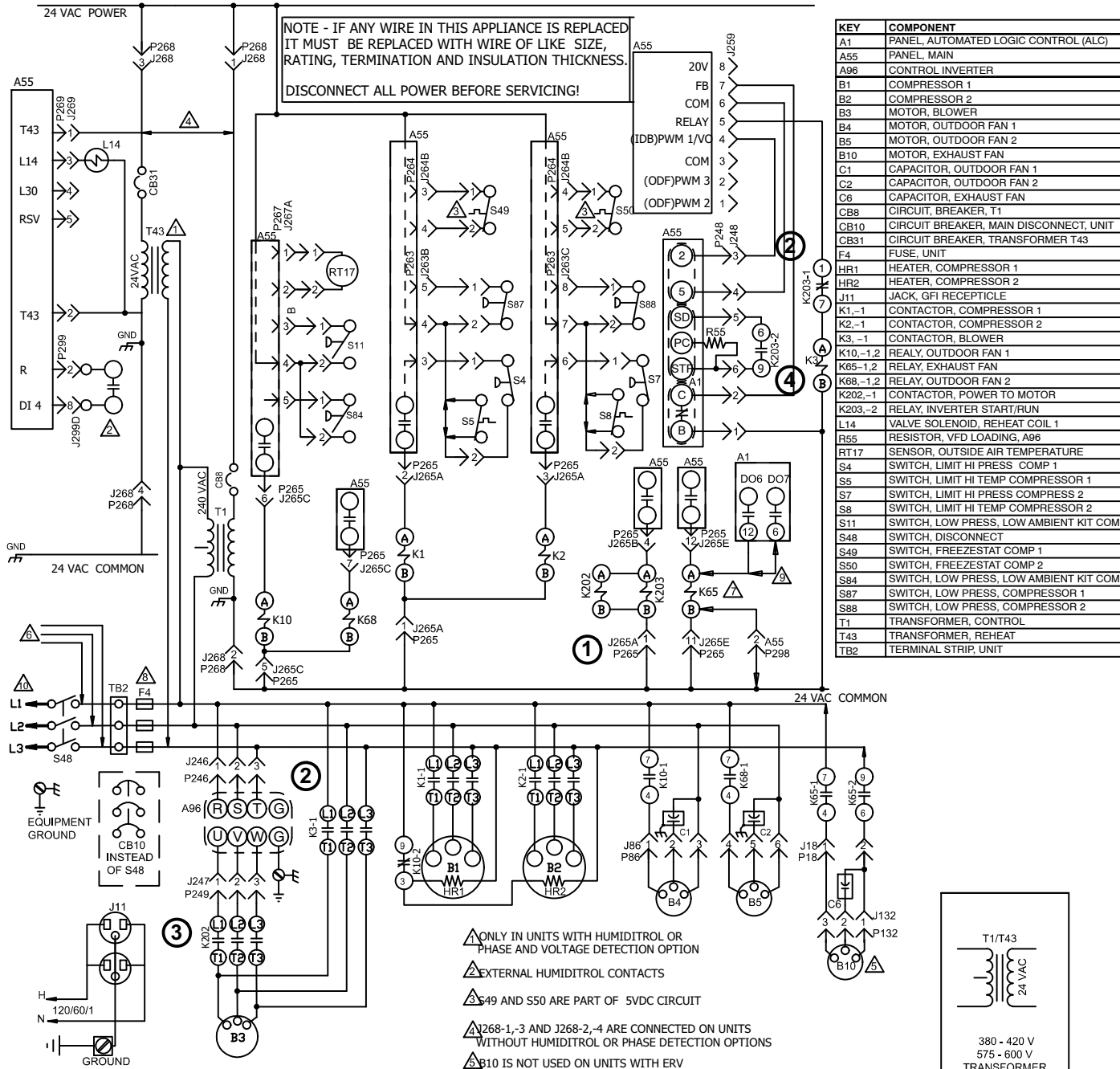
- ▲ ONLY IN UNITS WITH HUMIDITROL OR PHASE AND VOLTAGE DETECTION OPTION
- ▲ EXTERNAL HUMIDITROL CONTACTS
- ▲ S49 AND S50 ARE PART OF 5VDC CIRCUIT
- ▲ J268-1,-3 AND J268-2,-4 ARE CONNECTED ON UNITS WITHOUT HUMIDITROL OR PHASE DETECTION OPTIONS
- ▲ B10 IS NOT USED ON UNITS WITH ERV
- ▲ USED ON UNITS WITH ERV SINGLE POINT POWER. SEE ERV DIAGRAM
- ▲ K65 IS CONTROLLED BY A1 ONLY IN TARGET ALC APPLICATIONS
- ▲ USED ON LCH AND UNITS WITH ERV SINGLE POINT POWER ONLY
- ▲ DO7 USED ON UNITS WITH HUMIDITROL TO POWER EXHAUST FANS. DO6 PROVIDES POWER TO K65 ON UNITS WITH NO HUMIDITROL
- ▲ NOTE: FOR USE WITH COPPER CONDUCTORS ONLY. REFER TO UNIT RATING PLATE FOR MINIMUM CIRCUIT AMPACITY AND MAXIMUM OVERCURRENT PROTECTION SIZE.



— DENOTES OPTIONAL COMPONENTS  
 — LINE VOLTAGE FIELD INSTALLED

WIRING DIAGRAM		09/17
COOLING -MSAV NO BYPASS		
LCH/LGH -150H - G,J,M		
SECTION B		REV 0
Supersedes	New Form No. 537908-01	

# LGH092/102/120H STAGED SUPPLY AIR, WITH BYPASS, BELT DRIVE BLOWER

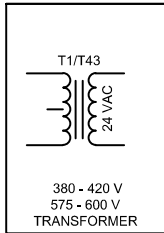


KEY	COMPONENT
A1	PANEL, AUTOMATED LOGIC CONTROL (ALC)
A55	PANEL, MAIN
A96	CONTROL INVERTER
B1	COMPRESSOR 1
B2	COMPRESSOR 2
B3	MOTOR, BLOWER
B4	MOTOR, OUTDOOR FAN 1
B5	MOTOR, OUTDOOR FAN 2
B10	MOTOR, EXHAUST FAN
C1	CAPACITOR, OUTDOOR FAN 1
C2	CAPACITOR, OUTDOOR FAN 2
C6	CAPACITOR, EXHAUST FAN
CB8	CIRCUIT, BREAKER, T1
CB10	CIRCUIT BREAKER, MAIN DISCONNECT, UNIT
CB31	CIRCUIT BREAKER, TRANSFORMER T43
F4	FUSE, UNIT
HR1	HEATER, COMPRESSOR 1
HR2	HEATER, COMPRESSOR 2
J11	JACK, GFI RECEPTICLE
K1,-1	CONTACTOR, COMPRESSOR 1
K2,-1	CONTACTOR, COMPRESSOR 2
K3,-1	CONTACTOR, BLOWER
K10,-1,2	RELAY, OUTDOOR FAN 1
K65,-1,2	RELAY, EXHAUST FAN
K68,-1,2	RELAY, OUTDOOR FAN 2
K202,-1	CONTACTOR, POWER TO MOTOR
K203,-2	RELAY, INVERTER START/RUN
L14	VALVE SOLENOID, REHEAT COIL 1
R65	RESISTOR, VFD LOADING, A96
RT17	SENSOR, OUTSIDE AIR TEMPERATURE
S4	SWITCH, LIMIT HI PRESS COMP 1
S5	SWITCH, LIMIT HI TEMP COMPRESSOR 1
S7	SWITCH, LIMIT HI TEMP COMPRESS 2
S8	SWITCH, LIMIT HI TEMP COMPRESSOR 2
S11	SWITCH, LOW PRESS, LOW AMBIENT KIT COM
S48	SWITCH, DISCONNECT
S49	SWITCH, FREEZESTAT COMP 1
S50	SWITCH, FREEZESTAT COMP 2
S84	SWITCH, LOW PRESS, LOW AMBIENT KIT COM
S87	SWITCH, LOW PRESS, COMPRESSOR 1
S88	SWITCH, LOW PRESS, COMPRESSOR 2
T1	TRANSFORMER, CONTROL
T43	TRANSFORMER, REHEAT
TB2	TERMINAL STRIP, UNIT

120 V FIELD PROVIDED POWER SUPPLY IS REQUIRED

J/P	JACK/PLUG DESCRIPTION
18	POWER, EXHAUST FAN
86	POWER, OUTDOOR FAN INTERFACE
132	POWER, EXHAUST FAN MOTOR
194	GP CONTROL INPUT/OUTPUT
246	POWER TO VFD
247	POWER, VFD TO MOTOR
248	VFD CONTROL
249	POWER, CONTACTOR BYPASS
263	HIGH AND LOW PRESSURE SWITCHES
264	BLOWER DECK
265	CONTACTORS AND RELAYS
267	OUTDOOR FAN AREA
268	TRANSFORMERS T1 POWER
269	TRANSFORMER T43 POWER
298	IAQ INTERFACE
299	HUMIDITROL, SAFETY

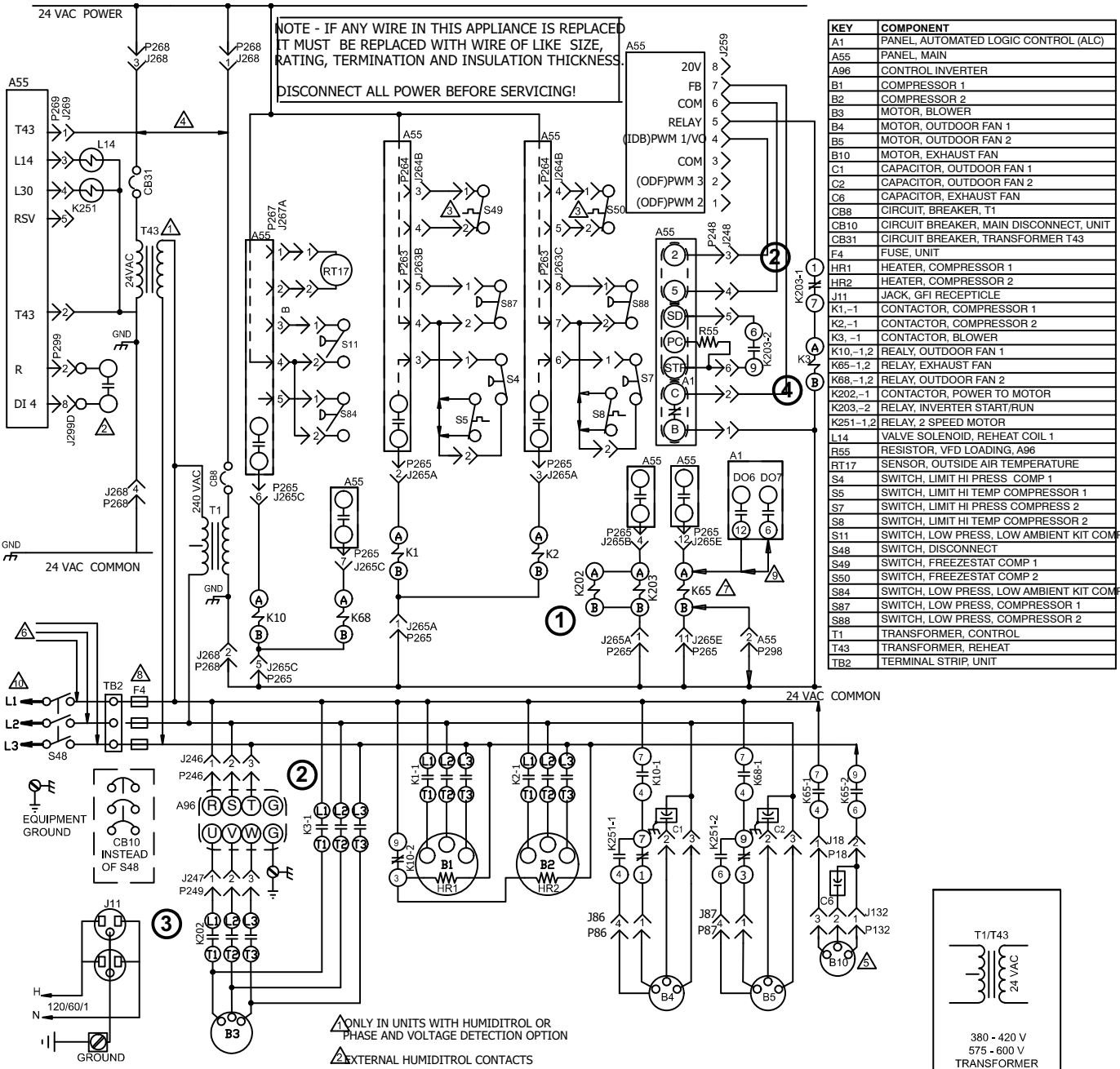
- ▲ ONLY IN UNITS WITH HUMIDITROL OR PHASE AND VOLTAGE DETECTION OPTION
- ▲ EXTERNAL HUMIDITROL CONTACTS
- ▲ S49 AND S50 ARE PART OF 5VDC CIRCUIT
- ▲ J268-1,-3 AND J268-2,-4 ARE CONNECTED ON UNITS WITHOUT HUMIDITROL OR PHASE DETECTION OPTIONS
- ▲ B10 IS NOT USED ON UNITS WITH ERV
- ▲ USED ON UNITS WITH ERV SINGLE POINT POWER. SEE ERV DIAGRAM
- ▲ K65 IS CONTROLLED BY A1 ONLY IN TARGET ALC APPLICATIONS
- ▲ USED ON LCH AND UNITS WITH ERV SINGLE POINT POWER ONLY
- ▲ DO7 USED ON UNITS WITH HUMIDITROL TO POWER EXHAUST FANS. DO6 PROVIDES POWER TO K65 ON UNITS WITH NO HUMIDITROL
- ▲ NOTE: FOR USE WITH COPPER CONDUCTORS ONLY. REFER TO UNIT RATING PLATE FOR MINIMUM CIRCUIT AMPACITY AND MAXIMUM OVERCURRENT PROTECTION SIZE.



← DENOTES OPTIONAL COMPONENTS  
 — LINE VOLTAGE FIELD INSTALLED

WIRING DIAGRAM	09/17
COOLING -MSAV WITH BYPASS	
LCH/LGH - 092H,102H,120H - G,J,M,Y	
SECTION B	
Supersedes 537408-02	New Form No. 537627-03
REV 0	

# LGH150H - Y - STAGED SUPPLY AIR, WITH BYPASS, BELT DRIVE BLOWER



**NOTE - IF ANY WIRE IN THIS APPLIANCE IS REPLACED IT MUST BE REPLACED WITH WIRE OF LIKE SIZE, RATING, TERMINATION AND INSULATION THICKNESS.**

**DISCONNECT ALL POWER BEFORE SERVICING!**

KEY	COMPONENT
A1	PANEL, AUTOMATED LOGIC CONTROL (ALC)
A55	PANEL, MAIN
A96	CONTROL INVERTER
B1	COMPRESSOR 1
B2	COMPRESSOR 2
B3	MOTOR, BLOWER
B4	MOTOR, OUTDOOR FAN 1
B5	MOTOR, OUTDOOR FAN 2
B10	MOTOR, EXHAUST FAN
C1	CAPACITOR, OUTDOOR FAN 1
C2	CAPACITOR, OUTDOOR FAN 2
C6	CAPACITOR, EXHAUST FAN
CB8	CIRCUIT BREAKER, T1
CB10	CIRCUIT BREAKER, MAIN DISCONNECT, UNIT
CB31	CIRCUIT BREAKER, TRANSFORMER T43
F4	FUSE, UNIT
HR1	HEATER, COMPRESSOR 1
HR2	HEATER, COMPRESSOR 2
J11	JACK, GFI RECEPTICLE
K1,-1	CONTACTOR, COMPRESSOR 1
K2,-1	CONTACTOR, COMPRESSOR 2
K3,-1	CONTACTOR, BLOWER
K10,-1,2	RELAY, OUTDOOR FAN 1
K65,-1,2	RELAY, EXHAUST FAN
K68,-1,2	RELAY, OUTDOOR FAN 2
K202,-1	CONTACTOR, POWER TO MOTOR
K203,-2	RELAY, INVERTER START/RUN
K251-1,2	RELAY, 2 SPEED MOTOR
L14	VALVE SOLENOID, REHEAT COIL 1
R55	RESISTOR, VFD LOADING, A96
RT17	SENSOR, OUTSIDE AIR TEMPERATURE
S4	SWITCH, LIMIT HI PRESS COMP 1
S5	SWITCH, LIMIT HI TEMP COMPRESSOR 1
S7	SWITCH, LIMIT HI PRESS COMPRESS 2
S8	SWITCH, LIMIT HI TEMP COMPRESSOR 2
S11	SWITCH, LOW PRESS, LOW AMBIENT KIT COMP
S48	SWITCH, DISCONNECT
S49	SWITCH, FREEZESTAT COMP 1
S50	SWITCH, FREEZESTAT COMP 2
S84	SWITCH, LOW PRESS, LOW AMBIENT KIT COMP
S87	SWITCH, LOW PRESS, COMPRESSOR 1
S88	SWITCH, LOW PRESS, COMPRESSOR 2
T1	TRANSFORMER, CONTROL
T43	TRANSFORMER, REHEAT
TB2	TERMINAL STRIP, UNIT

120 V FIELD PROVIDED POWER SUPPLY IS REQUIRED

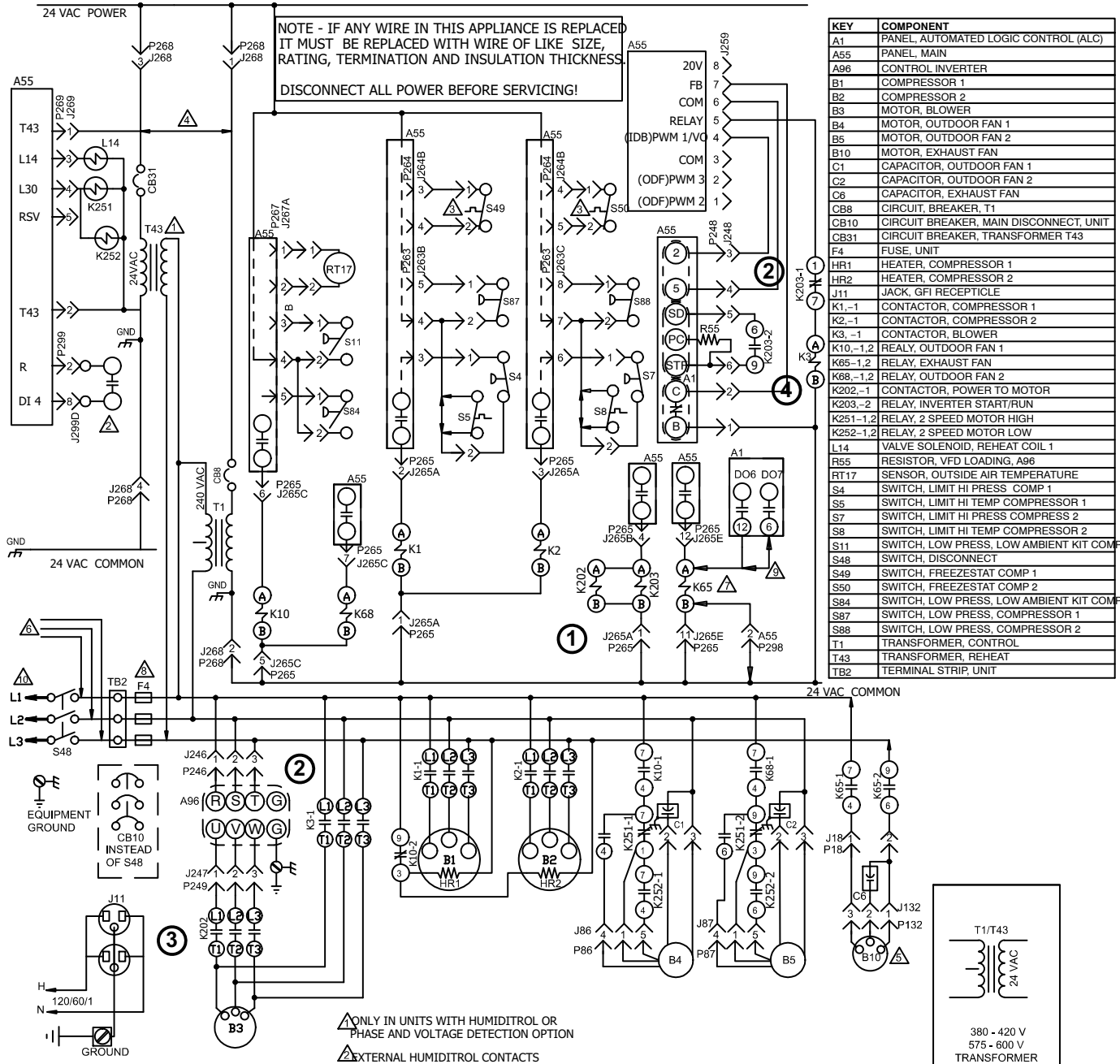
J/P	JACK/PLUG DESCRIPTION
18	POWER, EXHAUST FAN
86	POWER, OUTDOOR FAN 1
87	POWER, OUTDOOR FAN 2
132	POWER, EXHAUST FAN MOTOR
194	GP CONTROL INPUT/OUTPUT
246	POWER TO VFD
247	POWER, VFD TO MOTOR
248	VFD CONTROL
249	POWER, CONTACTOR BYPASS
263	HIGH AND LOW PRESSURE SWITCHES
264	BLOWER DECK
265	CONTACTORS AND RELAYS
267	OUTDOOR FAN AREA
268	TRANSFORMERS T1 POWER
269	TRANSFORMER T43 POWER
298	IAQ INTERFACE
299	HUMIDITROL, SAFETY

- 1 ONLY IN UNITS WITH HUMIDITROL OR PHASE AND VOLTAGE DETECTION OPTION
- 2 EXTERNAL HUMIDITROL CONTACTS
- 3 S49 AND S50 ARE PART OF 5VDC CIRCUIT
- 4 J268-1,-3 AND J268-2,-4 ARE CONNECTED ON UNITS WITHOUT HUMIDITROL OR PHASE DETECTION OPTIONS
- 5 S10 IS NOT USED ON UNITS WITH ERV
- 6 BASED ON UNITS WITH ERV SINGLE POINT POWER. SEE ERV DIAGRAM
- 7 S5 IS CONTROLLED BY A1 ONLY IN TARGET ALC APPLICATIONS
- 8 BASED ON LCH AND UNITS WITH ERV SINGLE POINT POWER ONLY
- 9 DO7 USED ON UNITS WITH HUMIDITROL TO POWER EXHAUST FANS. DO6 PROVIDES POWER TO K65 ON UNITS WITH NO HUMIDITROL
- 10 NOTE: FOR USE WITH COPPER CONDUCTORS ONLY. REFER TO UNIT RATING PLATE FOR MINIMUM CIRCUIT AMPACITY AND MAXIMUM OVERCURRENT PROTECTION SIZE.

← DENOTES OPTIONAL COMPONENTS  
 — LINE VOLTAGE FIELD INSTALLED

WIRING DIAGRAM	09/17
COOLING -MSAV WITH BYPASS	
LCH/LGH - 150H - Y	
SECTION 6 REV 0	
Supersedes	New Form No. 537909-01

# LGH150H - G, J, M - STAGED SUPPLY AIR, WITH BYPASS, BELT DRIVE BLOWER



120 V FIELD PROVIDED POWER SUPPLY IS REQUIRED

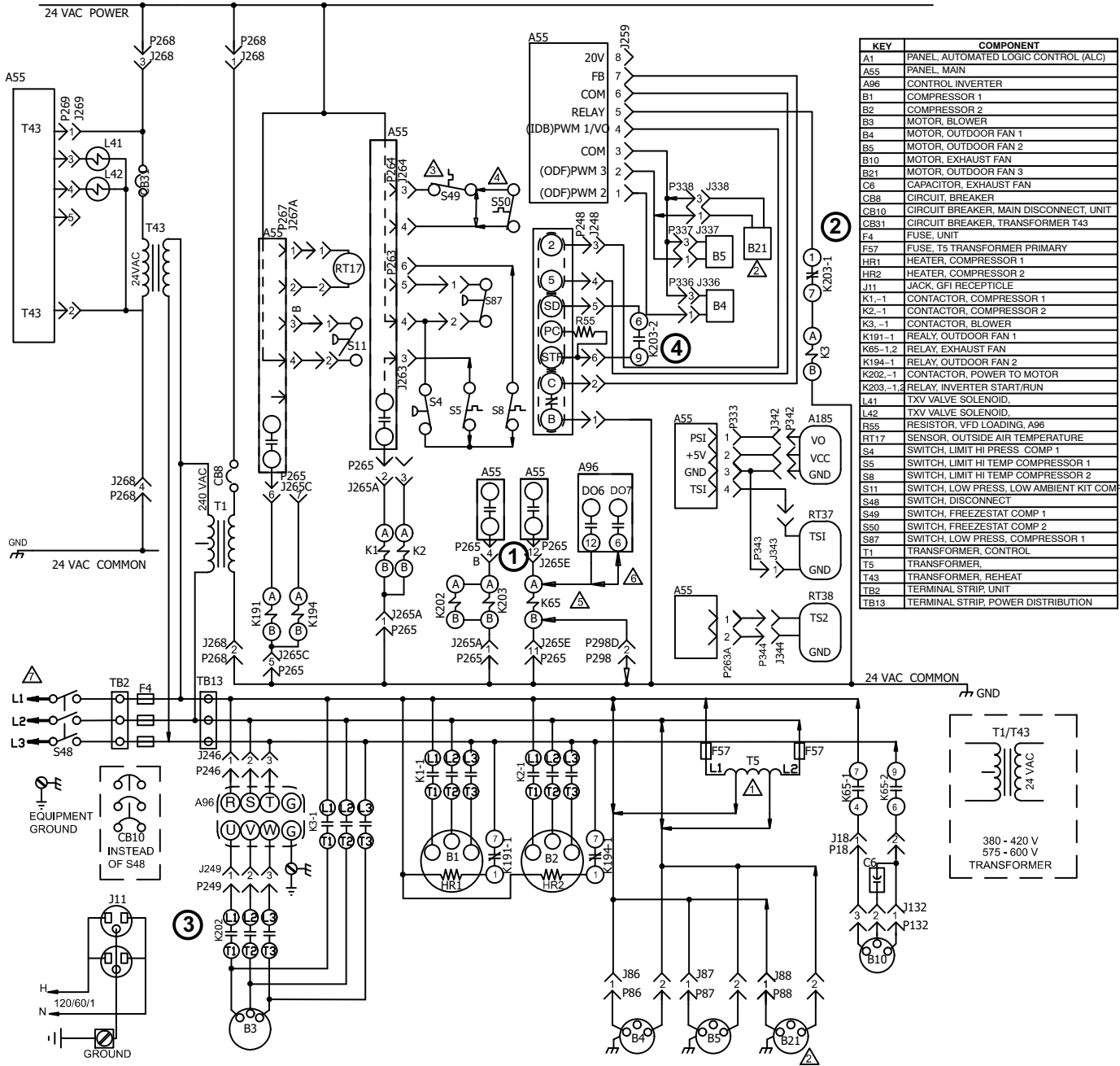
J/P	JACK/PLUG DESCRIPTION
18	POWER, EXHAUST FAN
86	POWER, OUTDOOR FAN 1
87	POWER, OUTDOOR FAN 2
132	POWER, EXHAUST FAN MOTOR
194	GP CONTROL INPUT/OUTPUT
246	POWER TO VFD
247	POWER, VFD TO MOTOR
248	VFD CONTROL
249	POWER, CONTACTOR BYPASS
263	HIGH AND LOW PRESSURE SWITCHES
264	BLOWER DECK
265	CONTACTORS AND RELAYS
267	OUTDOOR FAN AREA
268	TRANSFORMERS T1 POWER
269	TRANSFORMER T43 POWER
298	IAQ INTERFACE
299	HUMIDITROL, SAFETY

- ▲ ONLY IN UNITS WITH HUMIDITROL OR PHASE AND VOLTAGE DETECTION OPTION
- ▲ EXTERNAL HUMIDITROL CONTACTS
- ▲ S49 AND S50 ARE PART OF 5VDC CIRCUIT
- ▲ J268-1,-3 AND J268-2,-4 ARE CONNECTED ON UNITS WITHOUT HUMIDITROL OR PHASE DETECTION OPTIONS
- ▲ S10 IS NOT USED ON UNITS WITH ERV
- ▲ BASED ON UNITS WITH ERV SINGLE POINT POWER. SEE ERV DIAGRAM
- ▲ K65 IS CONTROLLED BY A1 ONLY IN TARGET ALC APPLICATIONS
- ▲ BASED ON LCH AND UNITS WITH ERV SINGLE POINT POWER ONLY
- ▲ DO7 USED ON UNITS WITH HUMIDITROL TO POWER EXHAUST FANS. DO6 PROVIDES POWER TO K65 ON UNITS WITH NO HUMIDITROL
- ▲ NOTE: FOR USE WITH COPPER CONDUCTORS ONLY. REFER TO UNIT RATING PLATE FOR MINIMUM CIRCUIT AMPACITY AND MAXIMUM OVERCURRENT PROTECTION SIZE.

← DENOTES OPTIONAL COMPONENTS  
— LINE VOLTAGE FIELD INSTALLED

WIRING DIAGRAM	09/17
COOLING -MSAV WITH BYPASS	
LCH/LGH - 150H - G,J,M	
SECTION B	REV 0
Supersedes	New Form No. 537910-01

# LGH092-152U STAGED SUPPLY AIR, WITH BYPASS, BELT DRIVE BLOWER



KEY	COMPONENT
A1	PANEL, AUTOMATED LOGIC CONTROL (ALC)
A55	PANEL, MAIN
A96	CONTROL INVERTER
B1	COMPRESSOR 1
B2	COMPRESSOR 2
B3	MOTOR, BLOWER
B4	MOTOR, OUTDOOR FAN 1
B5	MOTOR, OUTDOOR FAN 2
B10	MOTOR, EXHAUST FAN
B21	MOTOR, OUTDOOR FAN 3
C6	CAPACITOR, EXHAUST FAN
CB8	CIRCUIT BREAKER
CB10	CIRCUIT BREAKER, MAIN DISCONNECT, UNIT
CB31	CIRCUIT BREAKER, TRANSFORMER T43
F4	FUSE UNIT
F57	FUSE, T5 TRANSFORMER PRIMARY
HR1	HEATER, COMPRESSOR 1
HR2	HEATER, COMPRESSOR 2
J11	JACK, GFI RECEPTACLE
K1-1	CONTACTOR, COMPRESSOR 1
K2-1	CONTACTOR, COMPRESSOR 2
K3-1	CONTACTOR, BLOWER
K191-1	RELAY, OUTDOOR FAN 1
K65-1,2	RELAY, EXHAUST FAN
K194-1	RELAY, OUTDOOR FAN 2
K202-1	CONTACTOR, POWER TO MOTOR
K203-1,2	RELAY, INVERTER START/RUN
L41	TXV VALVE SOLENOID
L42	TXV VALVE SOLENOID
R55	RESISTOR, VFD LOADING, A96
RT17	SENSOR, OUTSIDE AIR TEMPERATURE
S4	SWITCH, LIMIT HI PRESS COMP 1
S5	SWITCH, LIMIT HI TEMP COMPRESSOR 1
S8	SWITCH, LIMIT HI TEMP COMPRESSOR 2
S11	SWITCH, LOW PRESS, LOW AMBIENT KIT COMP
S48	SWITCH, DISCONNECT
S49	SWITCH, FREEZESTAT COMP 1
S50	SWITCH, FREEZESTAT COMP 2
S87	SWITCH, LOW PRESS, COMPRESSOR 1
T1	TRANSFORMER, CONTROL
T5	TRANSFORMER
T43	TRANSFORMER, REHEAT
TB2	TERMINAL STRIP, UNIT
TB13	TERMINAL STRIP, POWER DISTRIBUTION

120 V FIELD PROVIDED POWER SUPPLY IS REQUIRED

J/P	JACK/PLUG DESCRIPTION
18	POWER, EXHAUST FAN
86	POWER, OUTDOOR FAN INTERFACE B4
87	POWER, OUTDOOR FAN INTERFACE B5
88	POWER, OUTDOOR FAN INTERFACE B21
132	POWER, EXHAUST FAN MOTOR
246	POWER TO VFD
247	POWER, VFD TO MOTOR
248	VFD CONTROL
249	POWER, CONTACTOR BYPASS
259	BLOWER CONTROL HARNESS
263	HIGH AND LOW PRESSURE SWITCHES
264	BLOWER DECK
265	CONTACTORS AND RELAYS
267	OUTDOOR FAN AREA
268	TRANSFORMERS T1 POWER
269	TRANSFORMER T43 POWER
298	IAQ INTERFACE

- ⚠ T5 USED ON G & J VOLTAGE ONLY
- ⚠ S48 USED ON 094U, 122U, 152U UNITS ONLY
- ⚠ S49 AND S50 ARE PART OF 5VDC CIRCUIT
- ⚠ OPTIONAL
- ⚠ K65 CONTROLLED BY A1, IN TARGET ALC APPLICATIONS ONLY
- ⚠ DO7 USED ON UNITS WITH HUMIDITROL TO POWER EXHAUST FANS. DO6 PROVIDES POWER TO K65 ON UNITS WITH NO HUMIDITROL
- ⚠ NOTE: FOR USE WITH COPPER CONDUCTORS ONLY. REFER TO UNIT RATING PLATE FOR MINIMUM CIRCUIT AMPACITY AND MAXIMUM OVERCURRENT PROTECTION SIZE.

— DENOTES OPTIONAL COMPONENTS  
 — LINE VOLTAGE FIELD INSTALLED

WIRING DIAGRAM		03/17
<b>COOLING -MSAV WITH BYPASS</b>		
(ULTRA) LCH/LGH - 092U, 094U, 120U, 122U, 152U - Y, G, J, M		
SECTION B		REV 0
Supersedes	New Form No. 537617-03	



## SUPPLY AIR INVERTER - NO BYPASS SEQUENCE OF OPERATION

### OPERATION:

- 1- A55 energizes the K203 relay coil.
- 2- K203-2 N.O. contacts close to start A96 forward rotation signal STF.
- 3- Blower B3 speed is controlled by a 0-10VDC signal from A55 to A96 terminal 2. VFD output voltage can be checked between A96 terminals 2 and 5.

### A96 FAULT SEQUENCE:

A96 will interrupt the 0-10VDC signal at terminal 2 on an internal failure. A96 will retry three times before terminals B-C open. In addition, A55 will recognize A96 B-C contacts are open and A55 will de-energize the K203 coil.

*Optional S52 Blower Proving Switch Installed - Refer to Blower Fault Sequence below.*

## SUPPLY AIR INVERTER - WITH OPTIONAL FACTORY-INSTALLED BYPASS SEQUENCE OF OPERATION

### OPERATION:

- 1- A55 energizes K202 and K203 relay coils.
- 2- K203-1 N.C. contacts open to de-energize K3 relay coil. K3-1 N.O. relay contacts open to interrupt power to B3 blower motor through K3 N.O. relay contacts.
- 3- K202 contacts close to allow power to B3 blower motor from A96.
- 4- K203-2 N.O. contacts close to start A96 forward rotation signal STF.
- 5- Blower B3 speed is controlled by a 0-10VDC signal from A55 PWM1/VO) to A96 terminal 2. VFD output voltage can be checked between A96 terminals 2 and 5.

### A96 FAULT SEQUENCE:

The same sequence as shown above. Note that the same alarms will be displayed whether there is an A96 internal fault, a blower component failure, or a control failure.

### BLOWER FAULT SEQUENCE:

- 1- The control system initiates a blower demand.
- 2- After 16 seconds, if S52 remains open, A55 will shut the blower down for 5 minutes.
- 3- A55 will energize the blower.
- 4- After 16 seconds if S52 remains open, A55 will shut the blower down for another 5 minutes.
- 5- After the third try, A55 will shut the unit down.

*Note - The unit will remain in lockout until the failed component is fixed or A55 selection conditions are changed to: M2-SETTINGS-CONTROL-MSAV-VFD BYPASS-ENGAGE M3-RTU OPTION-BLOWER-VFD BYPASS DISENGAGED - NO (configuration ID 1 set to A=automatic bypass).*

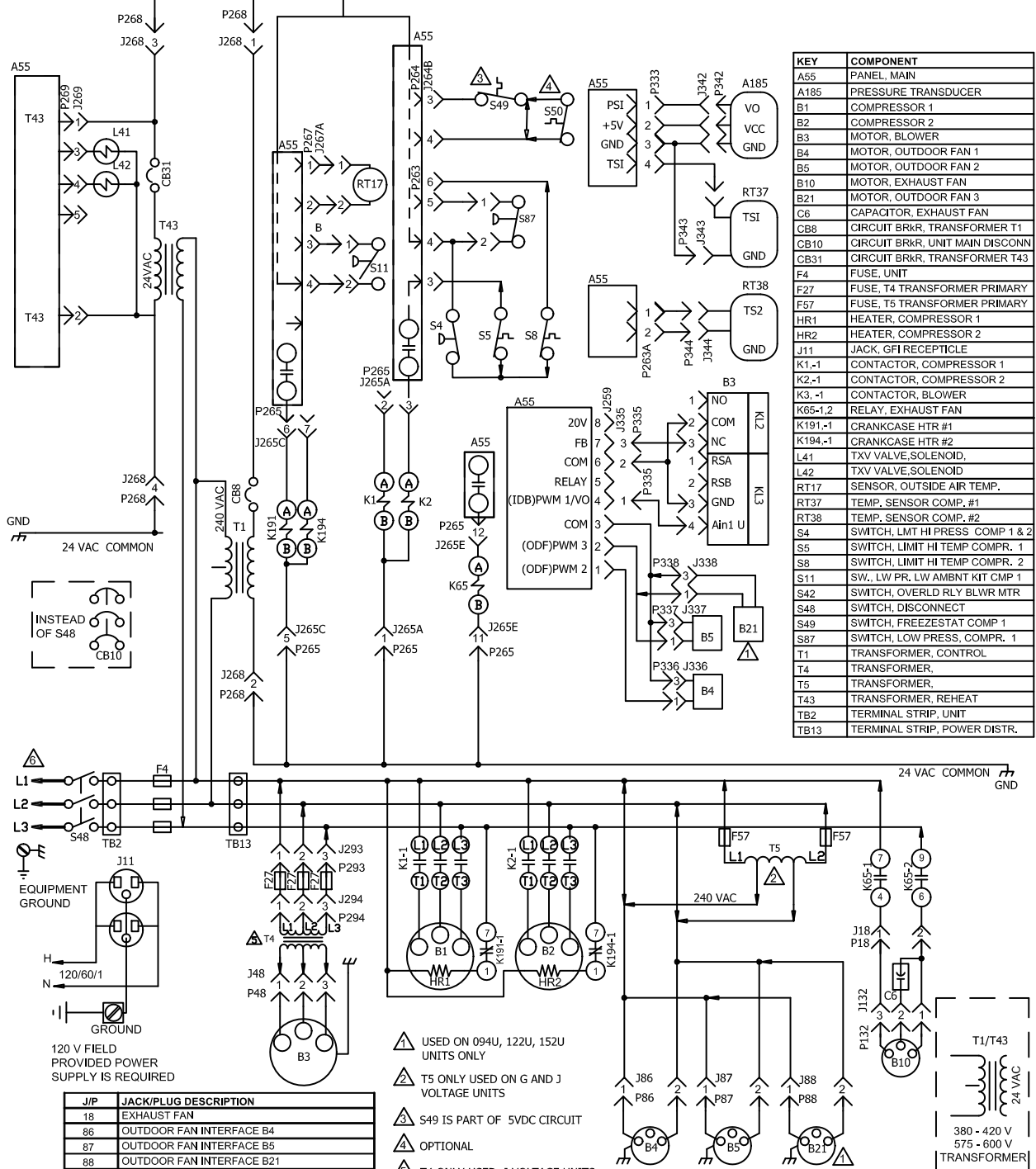
- 6- The VFD can be set to automatically bypass the VFD after the third start attempt. A55 selection condition must be changed to:  
*M2-SETTINGS-INSTALL-NEW M2-MSAV VFD BYPASS-AUTOMATIC  
M3-RTU OPTION-BLOWER-VFD BYPASS DISENGAGED - YES (configuration ID 1 set to M=manual bypass)*

*Note - Regardless of whether the blower is started in CAV mode using the "engage" selection or the "automatic" selection, S52 will still lock out the the blower after 16 seconds.*

- 7- Do not immediately assume the inverter has failed. Troubleshoot the unit keeping the following in mind:
  - Be sure to check multiple components and controls when troubleshooting. A blower component, inverter, or control failure will show the same alarms as an internal VFD fault condition (open A96 terminals B-C).
  - If there are no thermostat wires connected to A55 terminal P297, check the control system to verify a blower demand.
  - S52 is factory-installed in units equipped with the VFD bypass option. S52 is shown on the thermostat diagram.
  - Make sure blower demand is continuous; if blower demand is interrupted A96 and A55 timers will reset.

# LGH/LCH092-152U STAGED SUPPLY AIR, DIRECT DRIVE BLOWER

24 VAC POWER



KEY	COMPONENT
A55	PANEL, MAIN
A185	PRESSURE TRANSDUCER
B1	COMPRESSOR 1
B2	COMPRESSOR 2
B3	MOTOR, BLOWER
B4	MOTOR, OUTDOOR FAN 1
B5	MOTOR, OUTDOOR FAN 2
B10	MOTOR, EXHAUST FAN
B21	MOTOR, OUTDOOR FAN 3
C6	CAPACITOR, EXHAUST FAN
CB8	CIRCUIT BRKR, TRANSFORMER T1
CB10	CIRCUIT BRKR, UNIT MAIN DISCONN
CB31	CIRCUIT BRKR, TRANSFORMER T43
F4	FUSE, UNIT
F27	FUSE, T4 TRANSFORMER PRIMARY
F57	FUSE, T5 TRANSFORMER PRIMARY
HR1	HEATER, COMPRESSOR 1
HR2	HEATER, COMPRESSOR 2
J11	JACK, GFI RECEPTICLE
K1-1	CONTACTOR, COMPRESSOR 1
K2-1	CONTACTOR, COMPRESSOR 2
K3-1	CONTACTOR, BLOWER
K65-1,2	RELAY, EXHAUST FAN
K191-1	CRANKCASE HTR #1
K194-1	CRANKCASE HTR #2
L41	TXV VALVE, SOLENOID
L42	TXV VALVE, SOLENOID
RT17	SENSOR, OUTSIDE AIR TEMP.
RT37	TEMP. SENSOR COMP. #1
RT38	TEMP. SENSOR COMP. #2
S4	SWITCH, LMT HI PRESS COMP 1 & 2
S5	SWITCH, LIMIT HI TEMP COMP. 1
S8	SWITCH, LIMIT HI TEMP COMP. 2
S11	SW, LW PR, LW AMBENT KIT CMP 1
S42	SWITCH, OVERLDR RLY BLWR MTR
S48	SWITCH, DISCONNECT
S49	SWITCH, FREEZE/STAT COMP 1
S87	SWITCH, LOW PRESS, COMP. 1
T1	TRANSFORMER, CONTROL
T4	TRANSFORMER
T5	TRANSFORMER
T43	TRANSFORMER, REHEAT
TB2	TERMINAL STRIP, UNIT
TB13	TERMINAL STRIP, POWER DISTR.

J/P	JACK/PLUG DESCRIPTION
18	EXHAUST FAN
86	OUTDOOR FAN INTERFACE B4
87	OUTDOOR FAN INTERFACE B5
88	OUTDOOR FAN INTERFACE B21
132	EXHAUST FAN MOTOR
259	ECM BLOWER MOTOR CONTROL
263	HIGH AND LOW PRESSURE SWITCHES
264	BLOWER DECK
265	CONTACTORS AND RELAYS
267	OUTDOOR FAN AREA
268	TRANSFORMER T1 POWER
269	HUMIDITROL CONTROL
293	F27 LINE SIDE
294	F27 LOAD SIDE
333	0-5V TRANSDUCER INPUT

- ⚠ USED ON 094U, 122U, 152U UNITS ONLY
- ⚠ T5 ONLY USED ON G AND J VOLTAGE UNITS
- ⚠ S49 IS PART OF 5VDC CIRCUIT
- ⚠ OPTIONAL
- ⚠ T4 ONLY USED J VOLTAGE UNITS

⚠ NOTE: FOR USE WITH COPPER CONDUCTORS ONLY. REFER TO UNIT RATING PLATE FOR MINIMUM CIRCUIT AMPACITY AND MAXIMUM OVERCURRENT PROTECTION SIZE.

— DENOTES OPTIONAL COMPONENTS  
 — LINE VOLTAGE FIELD INSTALLED

**Direct Drive EBM Blower Motor:** The blower speed is determined by thermostat demand and settings programmed into the A55. When A55 receives a Y1 demand, a low speed voltage output from A55 terminal 4 will energize B3 in low speed. When A55 receives a Y2 demand, a high speed voltage output from A55 terminal 4 will energize B3 in high speed. A55 output voltage can be checked between A55 terminals 4 and 6.

04/15	WIRING DIAGRAM	04/15
	537618-02	
COOLING		
Energence Ultra EBM LCH/LGH - 092U, 094U, 120U, 122U, 152U - Y, G, J, M		
SECTION B		REV 0
Supersedes		New Form No. 537618-02

## DIRECT DRIVE BLOWER SEQUENCE OF OPERATION / TROUBLESHOOTING

### Blower Operation:

- 1- Line voltage is routed to B3 blower motor through TB2 terminal strip, TB13 terminal strip, T4 transformer (575v units only), and J/P48 terminals 1, 2 and 3.
- 2- B3 blower motor runs internal diagnostics to check for proper temperature, voltage, etc. (KL2-2 and -3). This process takes approximately 10 seconds. Refer to the Failure Handling/Troubleshooting section.
- 3- A55 Unit Controller receives a thermostat demand. After the A55 proves (P259-7 and -6) that B3 blower motor internal relay (KL2-2 and -3) is closed, B3 blower motor is energized (0-10VDC from P259-4 to KL3-4). B3 blower motor controls are grounded through KL2-2 and -3 to A55 P259-6.
- 4- If configured, A55 checks S52 blower proving switch to make sure it closes within 16 seconds of the 0-10VDC signal being sent to B3 blower motor.

### Blower Fault Sequence Direct Drive Motor - No S52:

- 1- Line voltage is provided to B3 blower motor.
- 2- After 10 seconds, the B3 blower motor internal relay does not close.
- 3- Alarm 186 is set by the A55 Unit Controller, de-energizing unit. If one of the "Error" failures listed in table 32 occurs ("Warning" failures will not set Alarm 186), service is required. Refer to the Failure Handling/Troubleshooting section.
- 4- If B3 blower motor internal relay closes continue to next step.
- 5- A55 sends 0-10VDC signal to B3 blower motor.
- 6- During B3 blower motor operation, the internal motor relay opens.
- 7- Alarm 186 is set by A55 and de-energizes the unit. Service is required. Refer to the Failure Handling/Troubleshooting section.

### Blower Fault Sequence Direct Drive Motor - With S52 (If Configured):

- 1- A55 Unit Controller sends 0-10VDC signal to B3 blower motor.
- 2- After 16 seconds, if S52 blower proving switch remains open, A55 will remove 0-10VDC signal for 5 minutes.
- 3- A55 sends 0-10VDC signal to B3 blower motor.
- 4- After 16 seconds, if S52 blower proving switch remains open, A55 will remove 0-10VDC signal for another 5 minutes.
- 5- After the third try, A55 will de-energize the unit. Service is required.

### Failure Handling/Troubleshooting:

- 1- Follow table 32 to troubleshoot possible failures that would cause Alarm 186 to set.
- 2- BEFORE DETERMINING THAT THE BLOWER ASSEMBLY HAS FAILED, use the A55 Unit Controller to clear delays and operate the blower.
- 3- Main Menu > Service > Offline > Clear Delays > Yes > Save
- 4- Main Menu > Service > Test > Blower
- 5- Observe if the blower operates or if Alarm 186 sets again.
- 6- If blower does not operate and Alarm 186 is set again, blower assembly must be replaced.
- 7- If blower assembly does operate, wait a minimum of 30 minutes to ensure Alarm 186 is not set again.

**TABLE 32  
DIRECT DRIVE BLOWER MOTOR TROUBLESHOOTING**

Failure	Error	Warning	Reason	Troubleshoot
Locked Rotor	•		No changes in hall signals within 2000ms	Check for obstruction keeping impeller from rotating
Braking Mode		•	Warning, no error code set, Motor start not possible after 20 sec	Check for secondary airflow source in the system causing the impeller to rotate backwards when off
Hall Error	•		Combination of 3 hall signals gives false signal after one rotation	Measure voltage across each leg, Check electrical connections
Power Module Overheated	•		Temperature > 115°C	Check operating conditions in blower compartment, Check for high motor load (current draw), Check for corrosion-free and secure electrical connections
Motor Overheated	•		Motor over-temperature protector opens	
Gate Driver Error	•		Internal software fault	Measure voltage across each leg, Check electrical connections
Phase Failure	•		Input voltage has phase imbalance	Measure voltage across each leg, Check electrical connections, Repair low/high voltage leg(s)
DC Link Voltage Low	•		Rectified DC link voltage is too low	
DC Link Over-voltage	•		Rectified DC link voltage is too high	
Line Over-voltage	•		Line voltage too high	
Line Under-voltage	•		Line voltage too low	
Communication Error	•		Internal communication failure. Not connected with master/slave wiring	Check low voltage wiring connections
DC Link Voltage Low		•	Warning, not low enough to set error code	Measure voltage across each leg, Check electrical connections, Repair low/high voltage leg(s)
Electronics Temp High		•	Warning, not high enough to set error code, Temperature > 95°C	Check operating conditions in blower compartment, Check for high motor load (current draw), Check for corrosion-free and secure electrical connections
Power Module Temp High		•	Warning, not high enough to set error code, Temperature > 105°C	
Motor Temp High		•	Warning, not high enough to set error code, Temperature > 130°C	